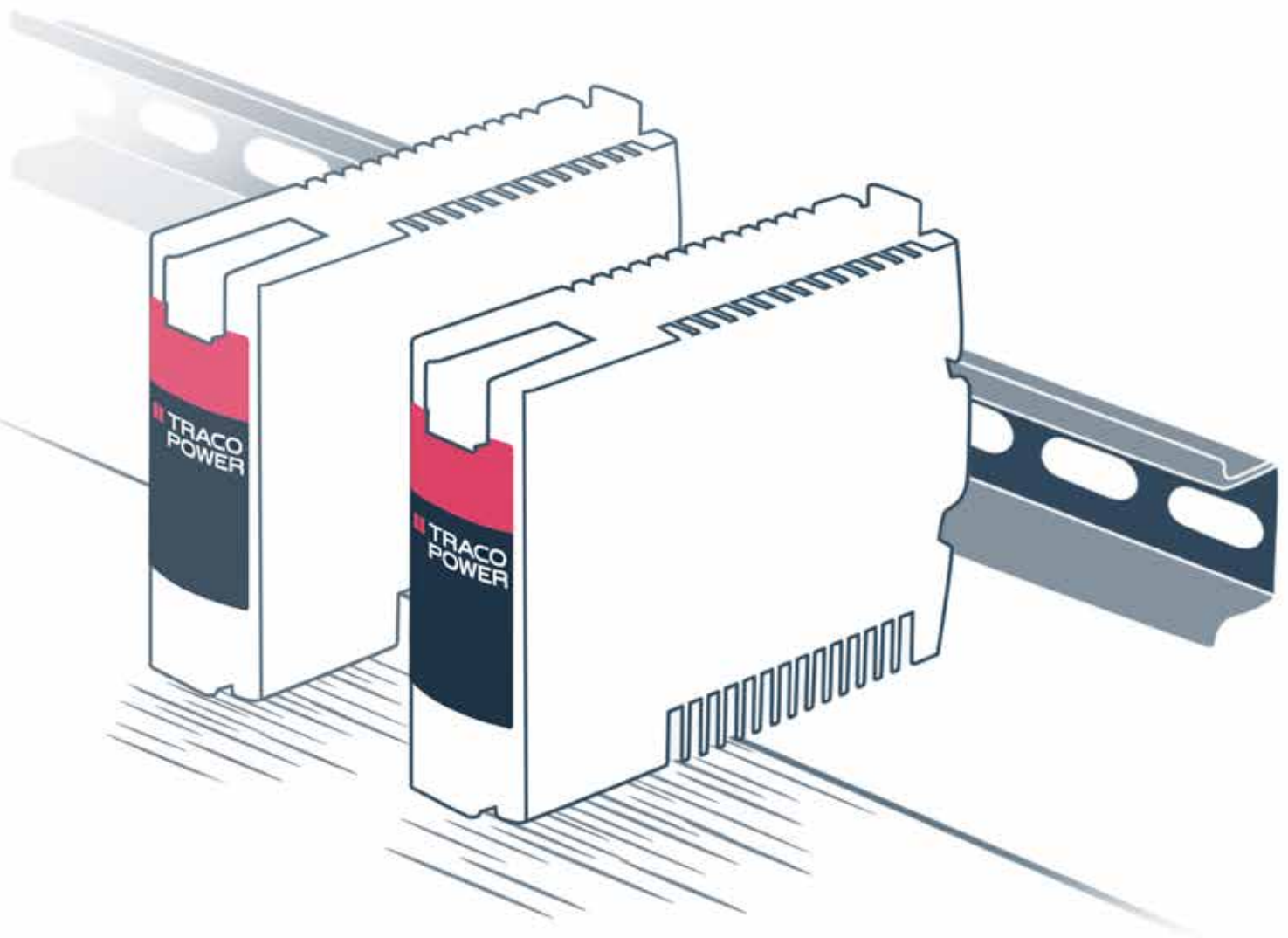




2019 | Industrial Power Solutions

Product Portfolio



Company Profile

TRACO Electronic AG is a Swiss company with headquarters based in Baar, Switzerland. As a leading power supply specialist with more than 35 years experience we are dedicated to the design and manufacturing of high quality DC/DC and AC/DC power conversion products.

TRACO markets its products worldwide under the registered trademark TRACO POWER. Our mission is to provide our customers with optimal power supply solutions in terms of performance, quality and cost for their individual application.

The varying levels of industrial power supplies

All power supplies designed for use in non-medical application are required to meet the international safety standards of IEC/EN/UL 60950-1. Industrial grade power supplies are subjected to increased requirements which vary depending upon their operating environment, typically divided into 2 categories, one for office / manufacturing environments and another for harsh/hazardous environments.

For power supplies in household applications, there are virtually no differences when it comes to insulation and operational safety. However, stronger electromagnetic and conducted disturbances are expected to arise in industrial environments, and electrical power supplies must be resistant to these. EMC immunity tests according to the generic standard IEC 61000-6-2 „immunity for industrial environments“ is the common denominator for a power supply being classified as industrial-grade.

The right product for the application and environment / standard products

Traco Power offers a wide selection of standard industrial power supplies that are manufactured and tested according to the varying environments and applicable safety standards, allowing our customers to choose the power solution that is most cost-effective for their application and environmental requirements.

All our industrial rated power supplies provide following features as standard:

- Safety approval according IEC/EN/UL 60950-1 (for 3000 VAC I/O isolation)
- EMC immunity according IEC 61000-6-2
- EMC emission according EN 55032 class B
- Protection against short circuit, overload and output over-voltage

Customer specific applications / customized solutions

It is often not possible to find a standard power supply that fully complies with the respective requirements or without unnecessary features making the application more expensive. With our design company **TRACO POWER SOLUTIONS** we have a center of competence to develop and optimize power supplies for customer-specific requirements. The motto from our design team is “Reduced to the Max” and develop or modify a solution specific to your needs at the lowest cost of ownership.

Encapsulated Power Modules

TMSB 2 Series	2 Watt	4	TMP Series	7 – 60 Watt	6
TMPS 03 & 05 Series	3 & 5 Watt	4	TMPS-C Series	15 – 60 Watt	6
TMPM Series	4 – 10 Watt	4	TML-(C) Series	20 – 40 Watt	6
NEW TMPS 10 Series	10 Watt	5	TMM Series	24 – 60 Watt	7
TMLM Series	4 – 20 Watt	5	TMM-C Series	24 – 60 Watt	7
TMG Series	7 – 50 Watt	5	TML 100C Series	100 Watt	7

Metal Enclosure and Open Frame

NEW TXM Series	15 – 200 Watt	8	TPI 100A Series	100 Watt	9
TXH 060 Series	60 Watt	8	TOP 100 Series	100 Watt	10
TEX 120 Series	120 Watt	8	TPI 150A Series	150 Watt	10
TXH Series	120 – 480 Watt	9	TOP 200 Series	200 Watt	10
TXH 600 Series	600 Watt	9			

DIN-Rail Power Supplies

TBLC Series	6 – 90 Watt	11	NEW TIB Series	80 – 480 Watt	12
TCL-DC Series	24 – 60 Watt	11	TSP-WR Series	180 – 600 Watt	13
TPC Series	30 – 120 Watt	11	TSPC 240UPS	240 Watt	13
TSPC Series	50 – 480 Watt	12	TSP-3P Series	240 – 960 Watt	13
TSP Series	72 – 600 Watt	12			

Function Modules

TSP-BCMU360	UPS module	14	TPC-REM	Redundancy module	15
TSP-BCM	UPS module	14	TSP-REM	Redundancy module	15
TSP-BFM	Buffer module	14	TSPC-DCM	Decoupling module	15

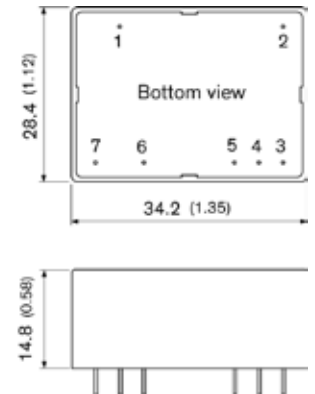
TMSB 2 Series

- Universal input 85-264 VAC and 120-370 VDC
- Output voltages: 8, 14, 24 VDC
- No load input power <150 mW ErP-ready
- Constant power characteristics at 2W (no current limitation)
- Suitable to drive relays, solenoids, capacitive loads and LED's
- Constant voltage auxiliary outputs 3.3 and 5.0 VDC
- Safety: IEC 60335-1 (household)



2 Watt standby power modules

- single output
- 1: NC
 - 2: NC
 - 3: +Vout
 - 4: -Vout
 - 5: No pin
 - 6: AC (N)
 - 7: AC (L)
- dual output
- 1: NC
 - 2: NC
 - 3: +Vout 1
 - 4: com.
 - 5: +Vout 2
 - 6: AC (N)
 - 7: AC (L)



www.tracopower.com/overview/tmsb2

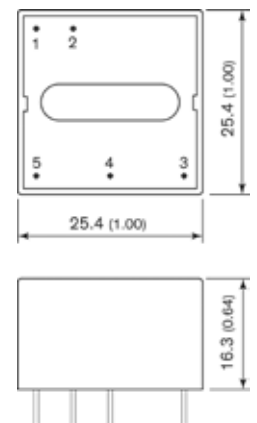
TMPS 03 & TMPS 05 Series

- Universal input 85-264 VAC and 120-370 VDC
- Output voltages: 3.3, 5.0, 9.0, 12, 15, 24 VDC
- Allows 130% peak power up to 30s
- ErP-ready - no load power consumption <150 mW for TMPS 03 <300 mW for TMPS 05
- Safety: IEC 60335-1 (household)



3 & 5 Watt compact low power modules

- 1: AC (N)
- 2: AC (L)
- 3: NC
- 4: -Vout
- 5: +Vout



www.tracopower.com/overview/tmps03 www.tracopower.com/overview/tmps05

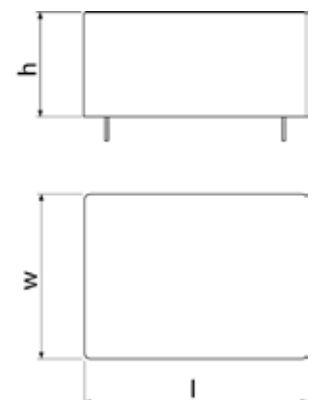
TMPM Series

- Universal input 85-264 VAC and 120-370 VDC
- Output voltages: 3.3, 5.0, 9.0, 12, 15, 24, ±12, ±15, 5.0/3.3, 12/5.0 VDC
- Over-temperature protection



4-10 Watt compact power modules

- TMPM 4 Watt
- l: 36.5 mm
 - w: 27 mm
 - h: 17.1 mm
- TMPM 10 Watt
- l: 52.4 mm
 - w: 27.2 mm
 - h: 23.5 mm



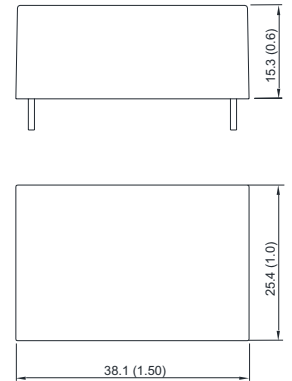
www.tracopower.com/overview/tmpm

TMPS 10 Series NEW

- Universal input 85-264 VAC and 120-370 VDC
- Output voltages: 3.3, 5.0, 9.0, 12, 15, 24, ± 12 , ± 15 , 5.0/3.3, 12/5.0 VDC
- Allows 130% peak power up to 30s
- ErP-ready - no load power consumption <150 mW
- Reinforced I/O isolation 4000 VAC
- Over-temperature protection
- Safety: IEC 60335-1 (household)



10 Watt compact power modules



www.tracopower.com/overview/tmps10

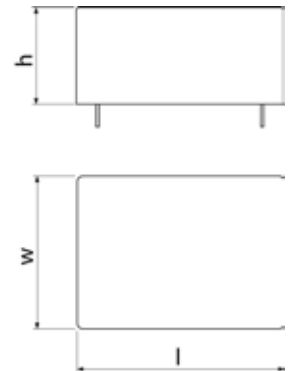
TMLM Series

- Universal input 90-264 VAC and 120-370 VDC
extended 85-305 VAC for 4 Watt models
- Output voltages: 3.3, 5.0, 9.0, 12, 15, 24, 5.0/3.3, 12/5.0 VDC



4-20 Watt compact power modules

TMLM 4 Watt
 l: 36.5 mm
 w: 27 mm
 h: 17.1 mm
 TMLM 5 Watt
 l: 50.8 mm
 w: 25.4 mm
 h: 15.2 mm
 TMLM 10/20 Watt
 l: 52.4 mm
 w: 27.2 mm
 h: 23.5 mm



www.tracopower.com/overview/tmlm

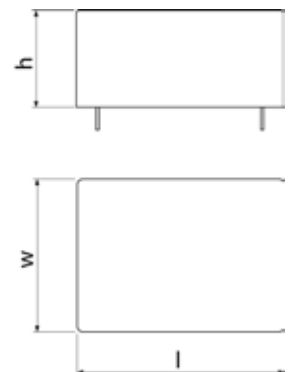
TMG Series

- Universal input 90-264 VAC and 120-370 VDC
- Output voltages: 5.0, 12, 15, 24, 48 VDC
- High efficiency up to 90 %
- No load input power <300 mW
ErP-ready



7-50 Watt compact power modules

TMG 7 Watt
 l: 27.4 mm
 w: 27.4 mm
 h: 18.7 mm
 TMG 15 Watt
 l: 41.2 mm
 w: 27.2 mm
 h: 19.1 mm
 TMG 30 Watt
 l: 64.0 mm
 w: 45.0 mm
 h: 23.5 mm
 TMG 50 Watt
 l: 74.1 mm
 w: 54.1 mm
 h: 21.8 mm



www.tracopower.com/overview/tmg

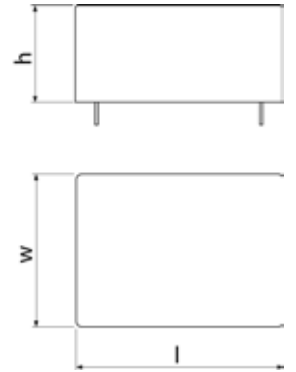
TMP Series

- Universal input 85-264 VAC and 120-370 VDC
- Output voltages: 3.3, 5.0, 12, 15, 24, 48, ± 12 , ± 15 , 5.0/12 VDC and triple output models
- Over-temperature protection



7-60 Watt power modules

- TMP 7 Watt
l: 50.8 mm
w: 25.4 mm
h: 19.3 mm
- TMP 10 Watt
l: 64.0 mm
w: 45.0 mm
h: 19.0 mm
- TMP 15 Watt
l: 74.0 mm
w: 54.0 mm
h: 19.3 mm
- TMP 30 Watt
l: 89.0 mm
w: 63.5 mm
h: 21.5 mm
- TMP 60 Watt
l: 89.0 mm
w: 67.5 mm
h: 34.0 mm



www.tracopower.com/overview/tmp

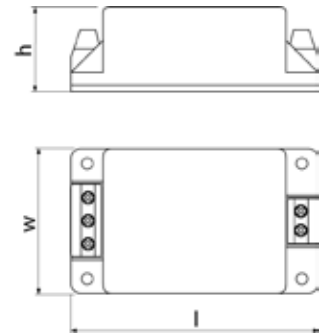
TMP-C Series

- Universal input 85-264 VAC and 120-370 VDC
- Output voltages: 3.3, 5.0, 12, 15, 24, 48, ± 12 , ± 15 , 5.0/12 VDC and triple output models
- Over-temperature protection
- Safety: UL 508
- Option: DIN-rail mounting bracket



15-60 Watt power modules for chassis mount

- TMP-C 15 Watt
l: 96.0 mm
w: 54.0 mm
h: 23.3 mm
- TMP-C 30 Watt
l: 112.0 mm
w: 63.8 mm
h: 25.6 mm
- TMP-C 60 Watt
l: 112.0 mm
w: 67.8 mm
h: 38.0 mm



www.tracopower.com/overview/tmp-c

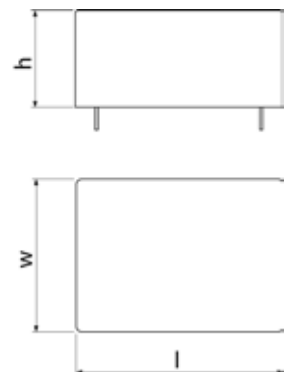
TML-(C) Series

- Universal input 90-264 VAC and 100-370 VDC
- Output voltages: 3.3, 5.0, 12, 15, 24, ± 5 , ± 12 , ± 15 , 5/12, 5/24 VDC and triple output models
- Over-temperature protection



20-40 Watt power modules PCB or chassis mount

- PCB version
- TML 20 Watt
l: 70.0 mm
w: 48.0 mm
h: 22.0 mm
- TML 40 Watt
l: 89.0 mm
w: 63.5 mm
h: 25.0 mm
- Chassis version
- TML-C 20 Watt
l: 96.0 mm
w: 54.6 mm
h: 27.5 mm
- TML-C 40 Watt
l: 112.9 mm
w: 64.7 mm
h: 31.5 mm



www.tracopower.com/overview/tml

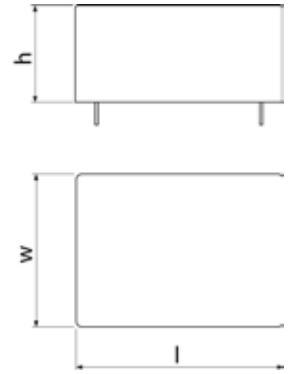
TMM Series

- Universal input 85-264 VAC and 120-370 VDC
- Output voltages: 5.0, 12, 15, 24, ± 12 , ± 15 , VDC
- I/O isolation 4000 VAC
- No load input power <300 mW ErP-ready
- -40°C start-up temperature
- Over-temperature protection
- Safety: IEC/EN/ES 60601-1 (medical)



24-60 Watt power modules

TMM 24 Watt
l: 74.0 mm
w: 54.0 mm
h: 19.3 mm
TMM 40 Watt
l: 88.9 mm
w: 63.5 mm
h: 30.0 mm
TMM 60 Watt
l: 89.0 mm
w: 67.5 mm
h: 34.0 mm



www.tracopower.com/overview/tmm

TMM-C Series

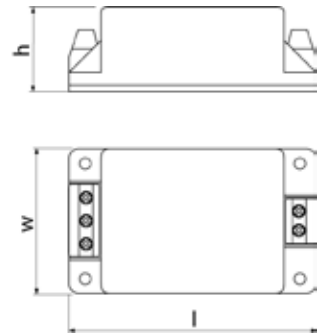
24-60 Watt power modules for chassis mount

- Universal input 85-264 VAC and 120-370 VDC
- Output voltages: 5.0, 12, 15, 24, ± 12 , ± 15 , VDC
- I/O isolation 4000 VAC
- No load input power <300 mW ErP-ready
- -40°C start-up temperature
- Over-temperature protection
- Safety: IEC/EN/ES 60601-1 (medical) UL 508
- Option: DIN-rail mounting bracket



picture: with optional bracket on DIN-rail

TMM-C 24 Watt
l: 96.0 mm
w: 54.0 mm
h: 23.3 mm
TMM-C 40 Watt
l: 112.0 mm
w: 63.8 mm
h: 34.1 mm
TMM-C 60 Watt
l: 112.0 mm
w: 67.8 mm
h: 38.0 mm

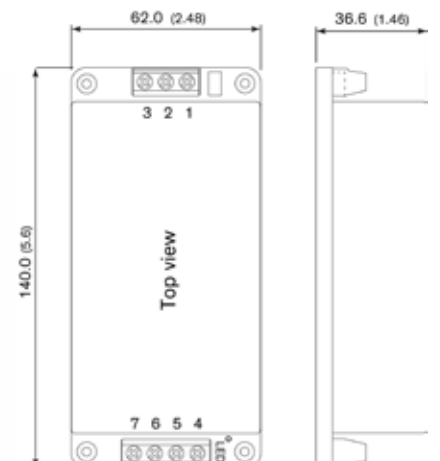


www.tracopower.com/overview/tmm

TML 100C Series

100 Watt power modules for chassis mount

- Universal input 90-264 VAC and 120-370 VDC
- Output voltages: 12, 15, 24, 48 VDC $\pm 5\%$ adjustable
- Active power factor correction
- Very high efficiency up to 94 %
- Remote On/Off
- DC-OK LED indicator



www.tracopower.com/overview/tml100C

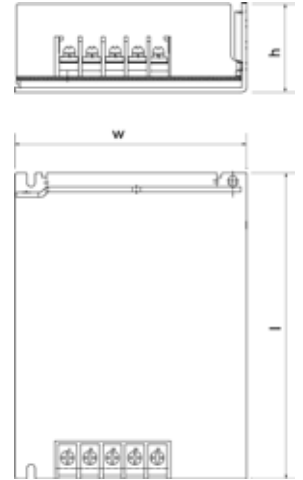
TXM Series **NEW 200 Watt models**

15-200 Watt enclosed power supplies

- Cost efficient design
- Universal input 90-264 VAC and 127-370 VDC
- Output voltages: 3.3, 5.0, 12, 15, 24, 48 VDC adjustable: -5/+10%
- Compact design, no internal fan
- Very high efficiency up to 89%



TXM 15/25 Watt	l: 91 mm
	w: 51 mm
	h: 29 mm
TXM 35 Watt	l: 102 mm
	w: 64 mm
	h: 33 mm
TXM 50 Watt	l: 99 mm
	w: 82 mm
	h: 35 mm
TXM 75 Watt/100	l: 129 mm
	w: 99 mm
	h: 38 mm
TXM 150 Watt	l: 160 mm
	w: 99 mm
	h: 38 mm
TXM 200 Watt	l: 199 mm
	w: 99 mm
	h: 50 mm

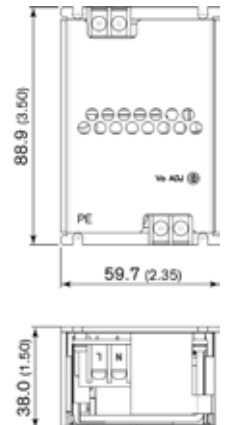


www.tracopower.com/overview/txm

TXH 060 Series

60 Watt enclosed power supplies

- Universal input 90-264 VAC and 120-370 VDC
- Output voltages: 5.0, 12, 15, 24, 48 VDC adjustable: $\pm 5\%$
- No load input power <300 mW ErP-ready
- Compact design
- Very high efficiency up to 88%

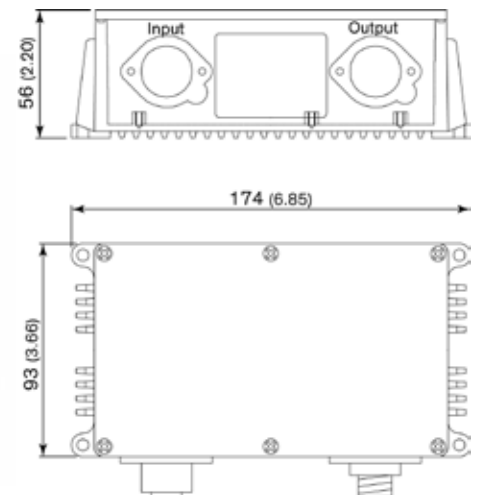


www.tracopower.com/overview/txh060

TEX 120 Series

120 Watt outdoor power supplies

- Universal input 85-264 VAC and 85-375 VDC
- Output voltages: 12-15, 24-28 VDC
- Rugged design in die-cast aluminium housing for extreme environments
- Dust, water (incl. salt water), ice and oil resistant enclosure, IP67 and NEMA 4X
- Operating temperature -40 to 85°C
- safety:
 - UL-hazloc and IEC/EN 60079-15 (Class I, Zone 2, EEx nA IIC T4)
 - UL 508, IEC/EN 61010-1, C22.2 61010-1-12, UL 61010-1 3rd
 - EN 60204-3, EN 50178, EN 61558-2-8



www.tracopower.com/overview/tex120

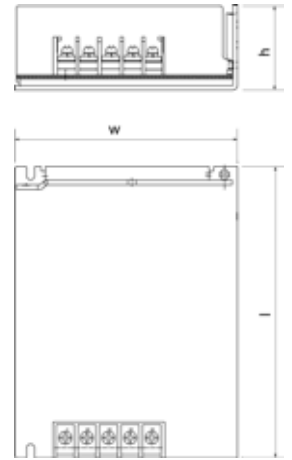
TXH Series

120-480 Watt U-bracket & enclosed power supplies

- Universal input 90-264 VAC and 120-370 VDC
- Output voltages: 12, 24 48 VDC adjustable $\pm 10\%$
- Very high efficiency up to 93%
- TXH 120/240 cover optional
TXH 360/480 encased with fan



TXH 120 Watt
l: 137 mm
w: 82 mm
h: 38 mm
TXH 240 Watt
l: 150 mm
w: 106 mm
h: 35 mm
TXH 360 Watt
l: 198 mm
w: 82 mm
h: 38 mm
TXH 480 Watt
l: 203 mm
w: 107 mm
h: 45 mm

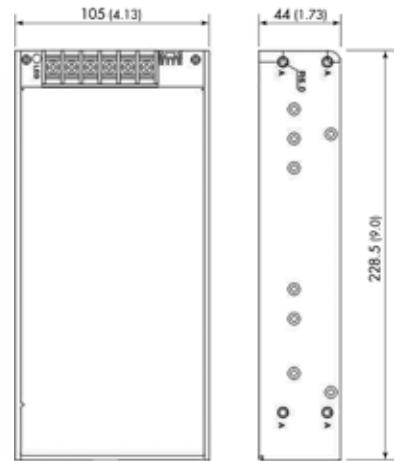


www.tracopower.com/overview/txh

TXH 600 Series

600 Watt universal power supplies

- Universal input 90-264 VAC and 120-370 VDC
- Output voltages: 12, 24, 48, 54 VDC adjustable $\pm 5\%$
- 5 VDC auxiliary output
- Rear side IEC-C13 line socket, including mains switch and fuse
- Active power factor correction
- Very high efficiency up to 93 %
- Over-temperature protection
- DC-OK signal and LED indication
- Sense line and current share function

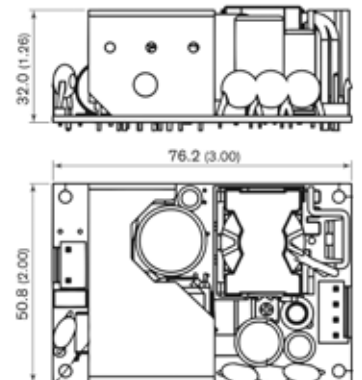


www.tracopower.com/overview/txh600

TPI 100A Series

100 Watt 2" x 3" open frame power supplies

- Universal input 85-264 VAC and 120-370 VDC
- Output voltages 12, 15, 24, 28, 36, 48 VDC adjustable $\pm 10\%$:
- No load input power <300 mW ErP-ready
- Highest efficiency up to 92%
- Active power factor correction
- Options: Metal casing, screw terminal (standard pin connector), DIN-rail

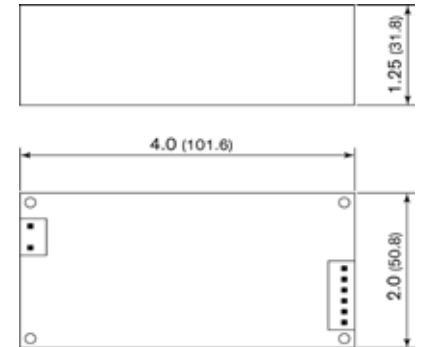


www.tracopower.com/overview/tpi100a

TOP 100 Series

100 Watt 2" x 4" open frame power supplies

- Auto-range input 90-132 / 187-264 VAC and
- Output voltages 3.3, 5, 12, 15, 24, 36, 48 VDC adjustable $\pm 10\%$:
- Excellent thermal management
- Highest efficiency up to 92%
- Options: Metal casing

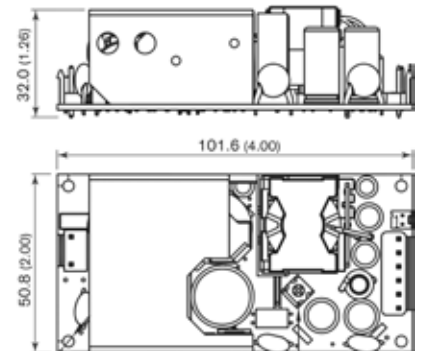


www.tracopower.com/overview/top100

TPI 150A Series

150 Watt 2" x 4" open frame power supplies

- Universal input 85-264 VAC and 120-370 VDC
- Output voltages 12, 15, 24, 28, 36, 48 VDC adjustable $\pm 10\%$:
- No load input power <300 mW ErP-ready
- Highest efficiency up to 92%
- Active power factor correction
- Options: Metal casing, screw terminal (standard pin connector), DIN-rail

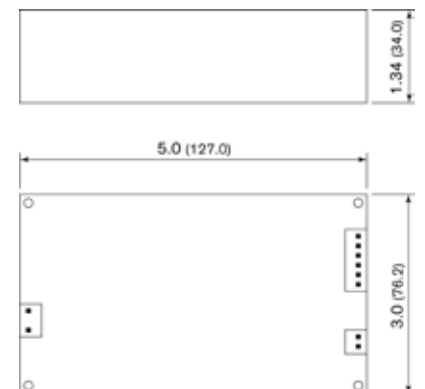


www.tracopower.com/overview/tpi150a

TOP 200 Series

200 Watt 3" x 5" open frame power supplies

- Auto-range input 90-132 / 187-264 VAC
- Output voltages 12, 15, 24, 48 VDC adjustable $\pm 10\%$:
- Excellent thermal management
- Highest efficiency up to 92%
- Options: Metal casing



www.tracopower.com/overview/top200

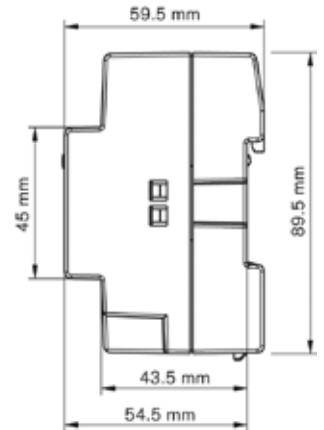
TBLC Series

6-90 Watt low profile (DIN 43880) power supplies

- Universal input 85-264 VAC
- Output voltages adjustable
5-5.5, 12-16, 24-28 VDC
- No load input power <300 mW
ErP-ready
- Highest efficiency and power density
- Low EMC disturbance
- Suitable for domestic installation
panels DIN 43880 compliant
- Constant current mode at overload limit
- Safety: IEC 60335-1 (Household)
EN 50178, EN 60204, EN 61558-2-8
EN 61558-2-16, UL 508, UL1310
(NEC class 2)



Width:
TBLC 6 Watt
18 mm
TBLC 15 Watt
27 mm
TBLC 25 Watt
36 mm
TBLC 50 Watt
54 mm
TBLC 75 Watt
72 mm
TBLC 90 Watt
90 mm



www.tracopower.com/overview/tbhc

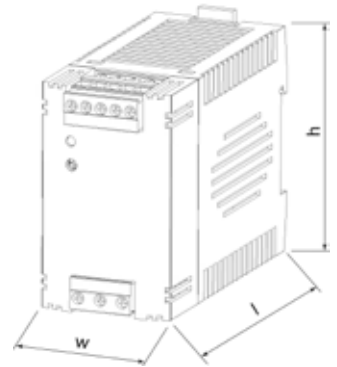
TCL-DC Series

24-60 Watt DIN-rail DC/DC converters

- Wide input voltage ranges
9.5-18, 18-75 VDC
- Output voltages adjustable
5-5.25, 12-15, 24-28 VDC
- Low EMC disturbance and
low ripple & noise
- Detachable screw type connector
- Constant current mode at overload limit
- Safety: UL 508, EN 50178, EN 60204
- Option: wall mounting bracket
(included)



TCL-DC 24 Watt
l: 100 mm
w: 27 mm
h: 75 mm
TCL-DC 60 Watt
l: 100 mm
w: 45 mm
h: 75 mm



www.tracopower.com/overview/tcl-dc

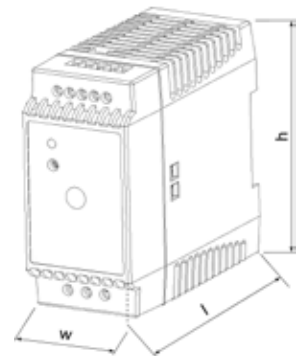
TPC Series

20-120 Watt power supplies in slim plastic casing

- Universal input 85-264 VAC and
90-375 VDC
- Output voltages adjustable
5-6, 12-15, 24-28, 48-56 VDC
- No load input power <300 mW
ErP-ready
- Low EMC disturbance
- Power good signal
- Safety: UL 508, EN 60204, EN 50178
EN 61558-2-8, EN 61558-2-16
- Options:
- Redundancy module (see page 14)
- Wall mounting bracket



TPC 30 Watt
l: 96.5 mm
w: 26.5 mm
h: 90 mm
TPC 55 Watt
l: 96.5 mm
w: 45 mm
h: 90 mm
TPC 80 Watt
l: 96.5 mm
w: 63 mm
h: 90 mm
TPC 120 Watt
l: 110 mm
w: 72 mm
h: 90 mm



www.tracopower.com/overview/tpc

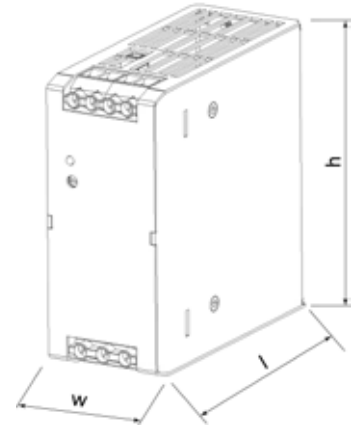
TSPC Series

50-480 Watt rugged power supplies in metal casing

- Auto-range input
90-132 / 187-264 VAC
- Output voltages adjustable
12-14, 24-28, 48-56 VDC
- Power good signal
- Over-temperature protection
- Safety:
IEC/EN 60079-15 (II3G, EEx nA IIC T4)
UL 508, EN 60204-1, EN 50178,
EN 61558-2-6/16
- Options:
- Decoupling module (see page 14)
- Wall mounting bracket



TSPC 50 Watt	l: 87 mm
	w: 35 mm
	h: 110 mm
TSPC 80 Watt	l: 110 mm
	w: 40 mm
	h: 110 mm
TSPC 120 Watt	l: 110 mm
	w: 46 mm
	h: 110 mm
TSPC 240 Watt	l: 110 mm
	w: 60 mm
	h: 110 mm
TSPC 480 Watt	l: 115 mm
	w: 150 mm
	h: 110 mm



www.tracopower.com/overview/tspc

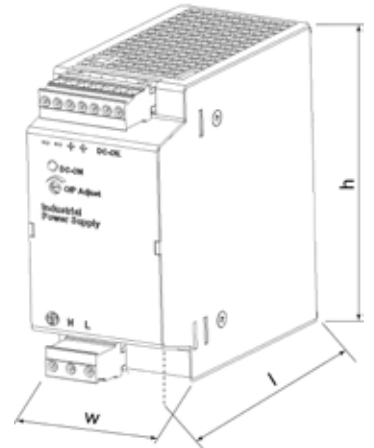
TSP Series

72-600 Watt rugged power supplies in metal casing

- Universal input 85-264 VAC
- Output voltages adjustable
12-14, 24-28, 48-56 VDC
- Remote control signal inputs &
monitoring outputs
- Over-temperature protection
- Safety:
IEC/EN 60079-15 (Class I, Zone 2,
EEx nC II C T4 U, UL 508, EN 60204-1,
EN 50178, EN 61558-2-16
- Options:
- Modules for redundancy, battery
control and blackout buffer
(see page 13-14)
- Wall mounting bracket



TSP 72/90 Watt	l: 110 mm
	w: 35 mm
	h: 110 mm
TSP 180 Watt	l: 110 mm
	w: 54 mm
	h: 110 mm
TSP 360 Watt	l: 125 mm
	w: 80 mm
	h: 125 mm
TSP 600 Watt	l: 125 mm
	w: 165 mm
	h: 125 mm



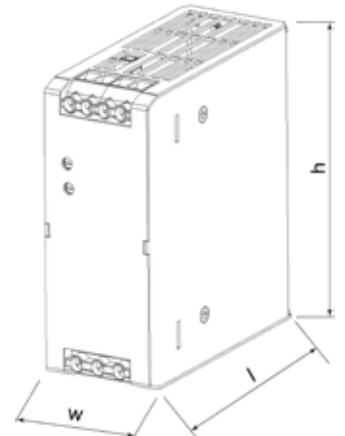
www.tracopower.com/overview/tsp

TIB Series **NEW models with ATEX** 80-480 Watt rugged power supplies in metal casing

- Universal input 85-264 VAC
- Output voltages adjustable
12-15, 23-28, 47-56 VDC
- Active power factor correction
- Excellent efficiency up to 94%
- Slim profile, alternative side
mounting (for flat panels)
- 150% boost power for 4 sec.
- True power back immunity (no
undershoot)
- Safety: UL 60947-1 (replaces UL508)
- Class I, division 2 approval
and ATEX certification for EX-models



TIB 80 Watt	l: 99 mm
	w: 32 mm
	h: 114 mm
TIB 120 Watt	l: 119 mm
	w: 36 mm
	h: 125 mm
TIB 240 Watt	l: 119 mm
	w: 48 mm
	h: 125 mm
TIB 480 Watt	l: 119 mm
	w: 82 mm
	h: 125 mm



www.tracopower.com/overview/tib

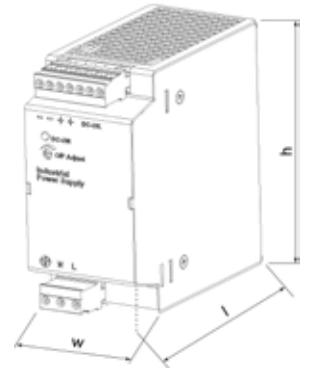
TSP-WR Series

- Input ranges: 85–132 VAC / 187...550
187–264 VAC / 323–550 VAC
- Output voltages adjustable
24-28 VDC
- Over-temperature protection
- Safety:
IEC/EN 60079-15 (II3G, EEx nA IIC T4)
UL 508, EN 60204-1, EN 50178,
EN 61558-2-16
- Options:
- Modules for redundancy, battery
control and blackout buffer
(see page 12-14)
- Wall mounting bracket



180-600 Watt for 3-phase networks

TSP-WR 180 Watt
l: 110 mm
w: 54 mm
h: 110 mm
TSP-WR 360 Watt
l: 125 mm
w: 80 mm
h: 125 mm
TSP-WR 600 Watt
l: 125 mm
w: 190 mm
h: 125 mm



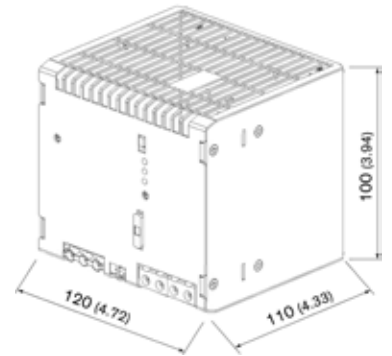
www.tracopower.com/overview/tsp-wr

TSPC 240UPS

- Compact universal 24 VDC power
supply with integrated battery
controller module
- Battery protection for over-voltage,
deep discharge, short circuit and
reverse connection
- Alarm outputs for input, output and
battery condition
- safety:
IEC/EN 60079-15 (II3G, EEx nA IIC T4)
UL 508, EN 60204-1, EN 50178,
EN 61558-2-6/16
- Options:
- Controlled end of charge
voltage by temperature sensor
- Selection of high quality lead-acid
battery packs



240 Watt DC-UPS power supply



www.tracopower.com/overview/tspc-ups

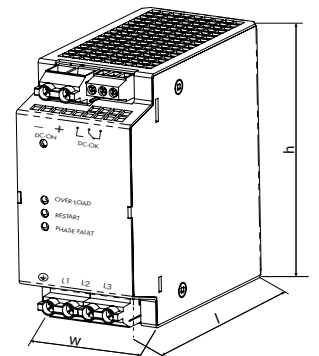
TSP-3P Series

- 320–440 VAC, 400-550 VAC
Star-net configuration
- Output voltage 24 VDC fixed
- Boost power 200% for up to 5 sec
- Protection against overload and
over-temperature
- safety:
IEC/EN 60079-15 (II3G, EEx nA IIC T3)
UL 508, UL1604, EN 60204-1,
EN 50178, EN 61558-2-16
- Options:
- Wall mounting brackets



240-960 Watt 3-phase input power supply

TSP-3P 240 Watt
l: 110 mm
w: 54 mm
h: 110 mm
TSP-3P 480 Watt
l: 125 mm
w: 80 mm
h: 125 mm
TSP-3P 960 Watt
l: 125 mm
w: 165 mm
h: 125 mm

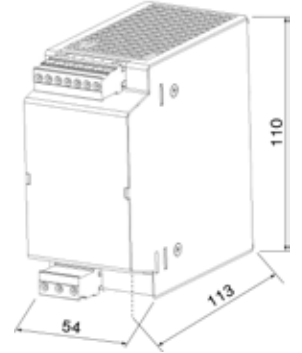


www.tracopower.com/overview/tsp-3p

TSP-BCMU360

Universal battery controller module up to 360 Watt

- Universal battery controller module for uninterruptable 24 VDC and 48 VDC bus voltage of any source
- Battery protection for over-voltage, deep discharge, short circuit and reverse connection
- Redundant inputs for two independent sources
- Alarm outputs for input, output and battery condition
- Options:
 - Controlled end of charge voltage by temperature sensor
 - Selection of high quality lead-acid battery packs



www.tracopower.com/overview/tsp-bcmu

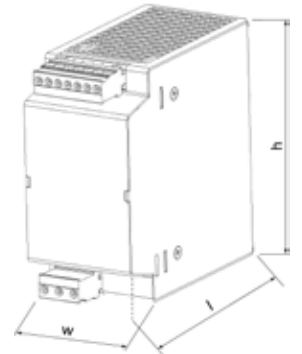
TSP-BCM

Battery controller modules up to 600 Watt

- Battery controller module in connection to a TSP Series power supply for 12, 24 and 48 VDC
- Battery protection for over-voltage, deep discharge, short circuit and reverse connection
- Alarm outputs for input, output and battery condition
- Options:
 - Controlled end of charge voltage by temperature sensor
 - Selection of high quality lead-acid battery packs



TSP-BCM 360 Watt
 l: 110 mm
 w: 35 mm
 h: 110 mm
 TSP-BCM 600 Watt
 l: 110 mm
 w: 54 mm
 h: 110 mm

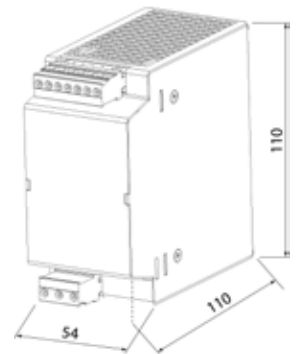


www.tracopower.com/overview/tsp

TSP-BFM

Buffer module 90-600 Watt

- Module to maintain the output voltage during typical mains faults, short time blackouts or voltage dips
- Capacitor bank for energy storage, no battery needed!
- For 24 to 28 VDC of any source, 600 W max.
- Guaranteed hold-up-time 200 ms/25 A to 4 s/1.2 A max.
- Maintenance free, long lifetime, high performance also at low temperature.
- Active ready and inhibit signals



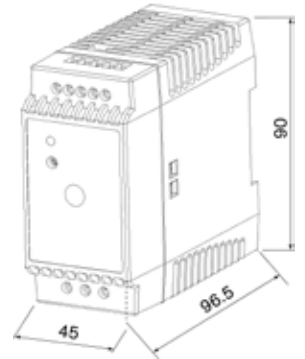
www.tracopower.com/overview/tsp

TPC-REM

- TPC series accessory module
- For 24 or 48 VDC models
- True current sharing on two 120 W rated inputs for output power up to 240 W
- DC-OK signal output
- Robust plastic casing



Redundancy module up to 240 Watt



www.tracopower.com/overview/tpc

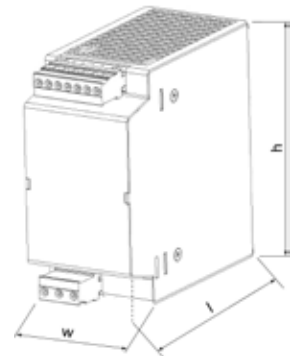
TSP-REM

- TSP series accessory modules
- Hot swappable inputs
- True current sharing on two inputs, each input is rated for the max. output power of 360 or 600 Watt
- Alarm outputs, redundancy OK signal remote On/Off
- Rugged metal casing



Redundancy modules up to 600 Watt

TSP-REM 360 Watt
l: 110 mm
w: 35 mm
h: 110 mm
TSP-REM 600 Watt
l: 110 mm
w: 54 mm
h: 110 mm



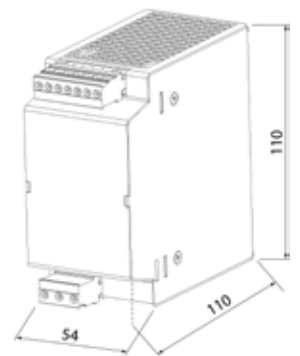
www.tracopower.com/overview/tsp

TSPC-DCM

- Universal decoupling module
- Input voltage range 5 - 28 VDC
- Two inputs, each rated for 25 A
- No remote link to PS
- Rugged metal casing



Decoupling module up to 600 Watt



www.tracopower.com/overview/tspc



With our design house

TRACO POWER SOLUTIONS Ltd.

we have the facility to expeditiously design customized power supplies and to manufacture prototypes and pre-series.

Our competences & services

- Research & design
- Commercial and technical support
- Pre-compliance safety and EMI test
- Mechanical and thermodynamic tests
- HALT and performance test
- 100% functional testing and burn-in
- Project attendance with external test and certification authorities
- Production of OEM and white label power supplies

TRACO POWER – dedicated to design and production of high quality, state-of-the-art DC/DC & AC/DC power conversion products. Our mission is to provide optimal power supply solutions for specific applications with regard to performance, quality, cost and functionality.

TRACO POWER stocks an average of USD 15+ million in available finished goods inventory for immediate shipment through our distribution partners.

TRACO POWER offers extended product life-cycles, typically 10+ years, and our products are supported by a 3 or 5 year product warranty.

We understand our customers require a high quality solution as well as a diverse product offering, availability from stock, extended life-cycles and a strong commitment to quality in the form of extended warranty to support their business.

International Office

Traco Electronic AG
Sihlbruggstrasse 111
6340 Baar
Switzerland

P +41 43 311 45 11
F +41 43 311 45 45
info@tracopower.com

German Office

Traco Electronic GmbH
Oskar-Messter-Str. 20a
85737 Ismaning/München
Germany

P +49 80 96 11 82-0
F +49 80 96 11 82-20
info@tracopower.de

French Office

Traco Power France
7, rue de la Vanne
92120 Montrouge
France

M +33 (0)6 72 11 52 21
info@tracopower.fr

North America Office

Traco Power North America, Inc.
2025 Gateway Place #330
SAN JOSE, CA 95110
USA

P +1 (408) 916-4570
F +1 (408) 916-4571
salesusa@tracopower.com

Design & Development

Traco Power Solutions Ltd.
Whitemill Industrial Estate
Whitemill Road, Wexford
Y35 YH66, Ireland

P +1 (408) 916-4570
F +1 (408) 916-4571
info@tracopower.ie