

 **TRACO POWER**

**2020** | **Household/Building Technology**  
Product Portfolio



## Company Profile

TRACO Electronic AG is a Swiss company with headquarters based in Baar, Switzerland. As a leading power supply specialist with more than 40 years' experience we are dedicated to the design and manufacturing of high-quality DC/DC and AC/DC power conversion products. TRACO markets its products worldwide under the registered trademark TRACO POWER.

Our mission is to provide our customers with optimal power supply solutions in terms of performance, quality and cost for their individual application.

## Requirements for AC/DC Power supplies used in Household, Smart Building & Office Automation:

Power supplies which are used for household and building/office technology must meet complex technical requirements, electrical compliance and safety regulations.

Important features for the AC/DC power supplies include high efficiency, ultra-low no-load power consumption (ErP compliant), small size, extra-wide input voltage range, high reliability and an affordable price are key elements to all these home/building automation applications and the ever-increasing regional compliance and safety standards including IEC/EN 60335-1.

Traco Power has decades of experience in developing optimised power supply solutions for building & home automation. The product range includes AC/DC power supplies from 2-150 Watt which perfectly meet these requirements.

## Household/building automation rated power supplies provide these standard features:

- Efficiency up to 94%
- Ultra-low standby power consumption acc. to ErP directive
- Ultra-compact design: DIN-Rail case form factors meet standard building automation requirements (depth 55 mm max)
- Optimized for IoT applications
- Flush box solutions available
- Various package and connection types available

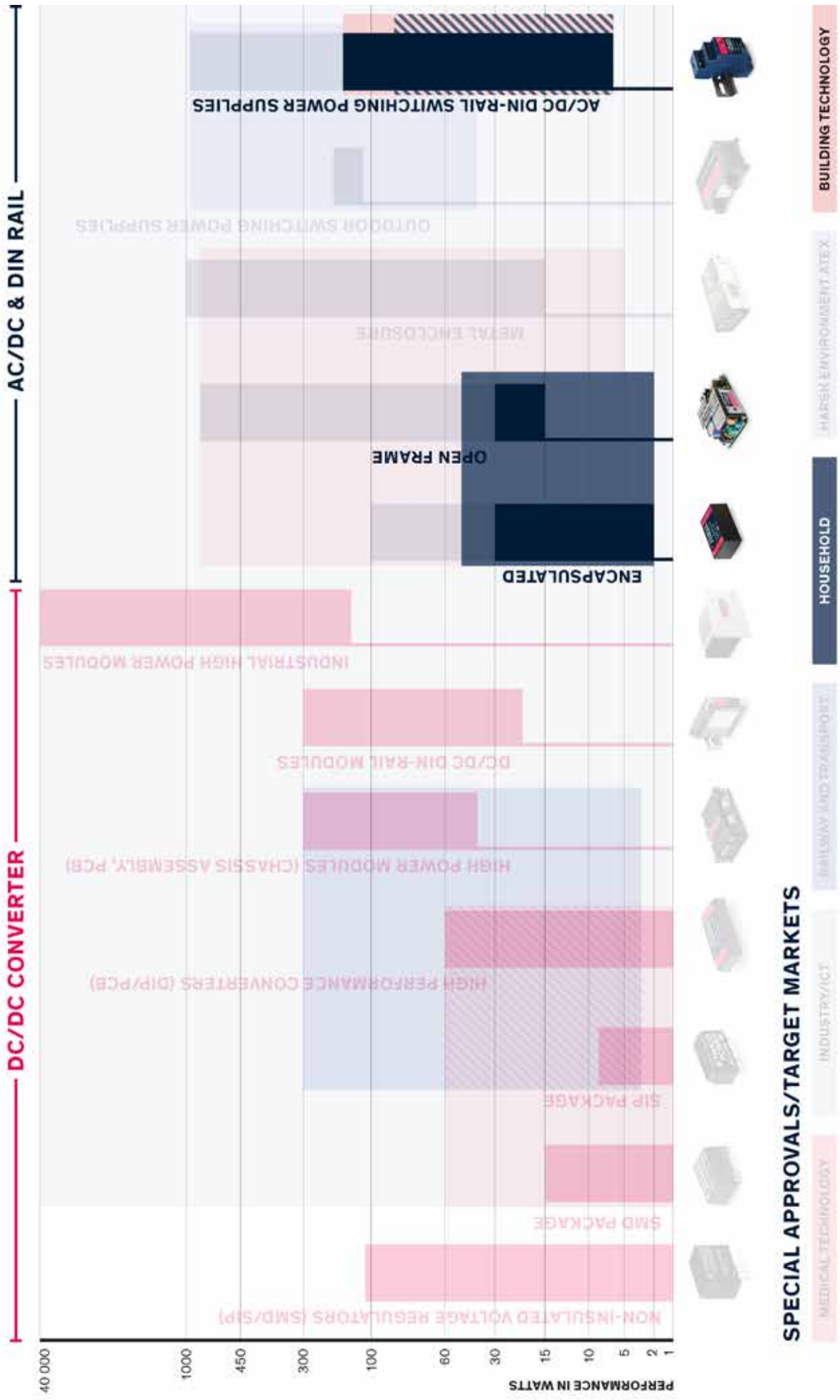
## Household/building automation rated power supplies meet the following standards:

- Household power supplies meet the increased requirements defined within EN 60335-1
- IEC/EN/UL 60950-1 and IEC/EN/UL 62368-1
- ErP complaint with ultra-low, no load power draw
- UL 1310 class II / NEC class 2 compliance
- EN 55032 conducted & Radiated level B

## Customer specific applications / customized solutions

It is often not possible to find a standard power supply that fully complies with the respective requirements or without unnecessary features making the application more expensive. With our design center, TRACO POWER SOLUTIONS we also have the level of competence to develop and optimize power supplies for unique, customer-specific requirements. The motto from our design team is "Reduced to the Max" and develop or modify a solution specific to your needs at the lowest cost of ownership.

Note: All dimension drawings in mm (inch)



**SPECIAL APPROVALS/TARGET MARKETS**

## Index

### PCB Mount

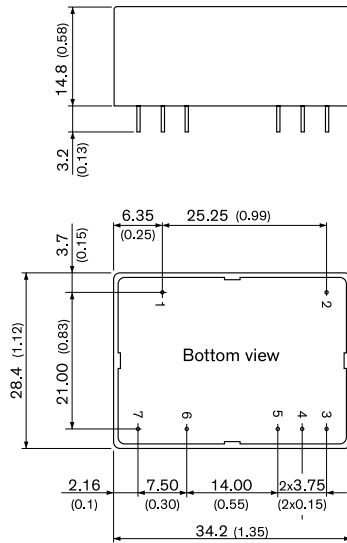
TMSB 2	1.35" x 1.12", PCB mount, encapsulated, constant power function, 4242 VAC I/O-isolation		2 Watt	5
TMPS 03	1" x 1", PCB mount, encapsulated, 3000 VAC I/O-isolation		3 Watt	5
TMPS 05	1" x 1", PCB mount, encapsulated, 3000 VAC I/O-isolation		5 Watt	6
TMPW 5	1.46" x 1.08", PCB mount, 90-305 VAC input, encapsulated, 4000 VAC I/O-isolation	<b>NEW under development</b>	5 Watt	6
TMPW 5-J	2.17" x 1.08", chassis mount, 90-305 VAC input, encapsulated, 4000 VAC I/O-isol.	<b>NEW under development</b>	5 Watt	7
TIW 6/12	2.2" x 2.2" package, flush box mounting, encapsulated (IP67), 4000 VAC I/O-isol.		6/12 Watt	7
TMPS 10	1.5" x 1", PCB mount, encapsulated, 3000 VAC I/O-isolation		10 Watt	8
TMPW 10	1.46" x 1.08", PCB mount, 90-305 VAC input, encapsulated, 4000 VAC I/O-isolation	<b>NEW under development</b>	10 Watt	8
TMPW 10-J	2.17" x 1.08", chassis mount, 90-305 VAC input, encapsulated, 4000 VAC I/O-isol.	<b>NEW under development</b>	10 Watt	9
TMPS 15	2" x 1", PCB mount, encapsulated, 3000 VAC I/O-isolation	<b>NEW under development</b>	15 Watt	9
TPP 15-J	2.82" x 1.14" package, chassis mount (JST), encapsulated, 4000 VAC I/O-isolation		15 Watt	10
TPP 15-D	1.65" x 1.14 package, PCB-mount, encapsulated, 4000 VAC I/O-isolation		15 Watt	10
TPP 15A-J	2.6" x 1.0" package, chassis mount (JST), open frame, 4000 VAC I/O-isolation		15 Watt	11
TPP 15A-D	1.5" x 1.0" package, PCB-mount, open frame, 4000 VAC I/O-isolation		15 Watt	11
TIW 24	2.2" x 2.2" package, flush box mounting, encapsulated (IP67), 4000 VAC I/O-isol.		24 Watt	12
TMW 24	2.09" x 2.0" package, flush box mounting, encapsulated (IP68), 4000 VAC I/O-isol.	<b>NEW under development</b>	24 Watt	12
TMPW 25	2.07" x 1.08", PCB mount, 90-305 VAC input, encapsulated, 4000 VAC I/O-isolation	<b>NEW under development</b>	25 Watt	13
TMPW 25-J	3.48" x 1.08", chassis mount, 90-305 VAC input, encapsulated, 4000 VAC I/O-isol.	<b>NEW under development</b>	25 Watt	13
TPP 30-J	3.95" x 1.5" package, chassis mount (JST), encapsulated, 4000 VAC I/O-isolation		30 Watt	14
TPP 30-D	2.89" x 1.50 package, PCB-mount, encapsulated, 4000 VAC I/O-isolation		30 Watt	14
TPP 30A-J	3.34" x 1.36" package, chassis mount (JST), open frame, 4000 VAC I/O-isolation		30 Watt	15
TPP 30A-D	2.74" x 1.1" package, PCB-mount, open frame, 4000 VAC I/O-isolation		30 Watt	15
TMW 36	2.09" x 2.0" package, flush box mounting, encapsulated (IP68), 4000 VAC I/O-isol.	<b>NEW under development</b>	36 Watt	16
TMPW 50	2.92" x 1.85", PCB mount, 90-305 VAC input, encapsulated, 4000 VAC I/O-isolation	<b>NEW under development</b>	50 Watt	16
TMPW 50-J	3.81" x 1.85", chassis mount, 90-305 VAC input, encapsulated, 4000 VAC I/O-isol.	<b>NEW under development</b>	50 Watt	17

### DIN-Rail Mount

TBLC	Low profile case (55mm depth), 85-264 VAC input, high efficiency, EN 60355-1, UL 1310, UL 508		6–90 Watt	18
TBL	Low profile case (55mm depth), 85-264 VAC input, UL 1310, UL 508		15–150 Watt	18
TPC	Slim profile case, 85-264 VAC input, robust design, ErP ready, UL 508		30–120 Watt	19
TCL	Slim profile case, 85-264 VAC input, UL 508		24–240 Watt	19
TSPC-240-124UPS	Compact universal power supply for uninterruptable 24 VDC output voltage		240 Watt	20
TSP-BCMU360	Universal battery controller module for uninterruptable 24 VDC and 48 VDC bus voltage		360 Watt	20

TMSB 2

2 Watt



- Standby power module to comply with ErP directive
- No load input power < 150mW
- Constant power characteristics at 2W (no current limitation)
- Suitable to drive relays, solenoids, capacitive loads and LED's
- Constant voltage auxiliary outputs 3.3 and 5 VDC
- Operating temperature range -30°C to +70°C
- EMI meets EN 55032, class B and FCC, level B
- Short circuit, overload protection
- 3-year product warranty

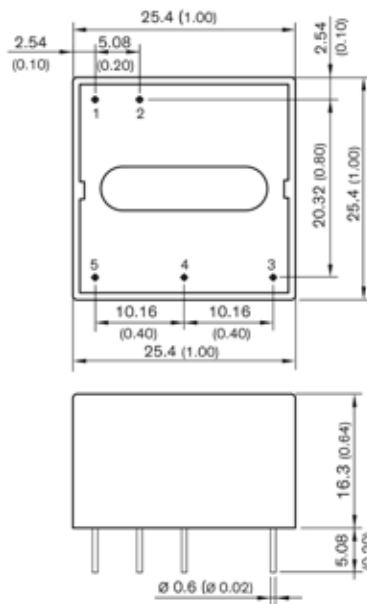
Pinout / Connection		
Pin	Single	Dual
1	NC	NC
2	NC	NC
3	+Vout	+Vout1
4	-Vout	Common
5	No pin	+Vout2
6	AC(N)	AC(N)
7	AC(L)	AC(L)

Model	Output 1	Output 2	Efficiency
TMSB 2-108	8.0 VDC / 250 mA	-	72 %
TMSB 2-114	14 VDC / 143 mA	-	74 %
TMSB 2-124	24 VDC / 83 mA	-	76 %
TMSB 2-283	8.0 VDC / 250 mA <sup>1)</sup>	3.3 VDC / 160 mA <sup>1)</sup>	69 %
TMSB 2-285	8.0 VDC / 250 mA <sup>1)</sup>	5.0 VDC / 250 mA <sup>1)</sup>	69 %
TMSB 2-2143	14 VDC / 143 mA <sup>2)</sup>	3.3 VDC / 70 mA <sup>2)</sup>	70 %
TMSB 2-2145	14 VDC / 143 mA <sup>2)</sup>	5.0 VDC / 83 mA <sup>2)</sup>	70 %

1) Iout1 + Iout2 = 250 mA max.  
 2) Iout1 + Iout2 = 143 mA max.

TMPS 03

3 Watt

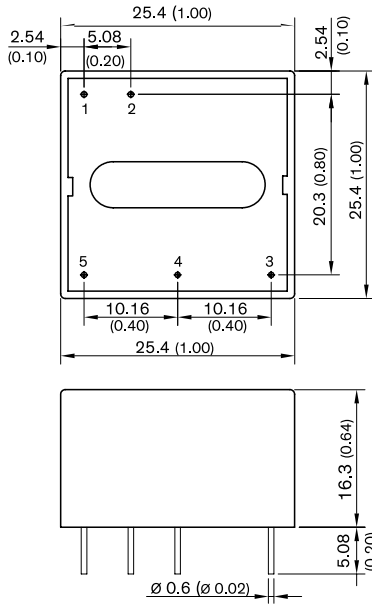


- PCB Power module in 1" x 1" package
- No load input power < 150 mW, to comply with ErP directive
- Operating temperature range -25°C to +70°C
- EMI meets EN 55032, class B
- Protection class II prepared
- 3-year product warranty

Pin Connections	
Pin	Function
1	AC (N)
2	AC (L)
3	NC
4	-Vout
5	+Vout

Model	Output Voltage nom.	Output Current max.	Output Current peak	Efficiency typ.
TMPS 03-103	3.3 VDC	900 mA	1170 mA	70 %
TMPS 03-105	5 VDC	600 mA	780 mA	72 %
TMPS 03-109	9 VDC	333 mA	430 mA	77 %
TMPS 03-112	12 VDC	250 mA	320 mA	78 %
TMPS 03-115	15 VDC	200 mA	260 mA	78 %
TMPS 03-124	24 VDC	125 mA	160 mA	78 %

**TMPS 05** **5 Watt**



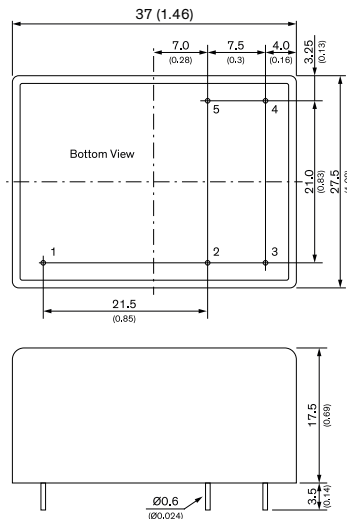
- PCB Power module in 1" x 1" package
- Certified to EN60335-1 for household appliance
- No load input power <300 mW to comply with ErP directive
- Operating temperature range -25°C to +70°C
- EMI meets EN 55032 class B and EN 55014-1
- Protection class II prepared
- 3-year product warranty

Pin Connections	
Pin	Function
1	AC (N)
2	AC (L)
3	NC*
4	-Vout
5	+Vout

\* Internally not connected but keep it isolated from primary circuit

Model	Output Voltage nom.	Output Current max.	Output Current peak	Efficiency typ.
TMPS 05-103	3.3 VDC	1'515 mA	1'970 mA	74 %
TMPS 05-105	5 VDC	1'000 mA	1'300 mA	80 %
TMPS 05-109	9 VDC	555 mA	721 mA	82 %
TMPS 05-112	12 VDC	416 mA	540 mA	82 %
TMPS 05-115	15 VDC	333 mA	433 mA	83 %
TMPS 05-124	24 VDC	208 mA	270 mA	83 %
TMPS 05-148	48 VDC	104 mA	135 mA	85 %

**TMPW 5** **NEW - under development** **5 Watt**



- PCB power module in 1.46" x 1.08" package
- Wide 90-305 VAC input voltage range
- Certified according to EN 60355-1 and IEC/EN/UL 62368-1
- I/O-isolation 4000 VAC
- Operating temperature range: -40° to +70°C
- No load input power <0.1W to comply with ErP directive
- EMI meets EN 55032 class B
- High efficiency up to 89%
- Protection class II prepared
- 3-year product warranty

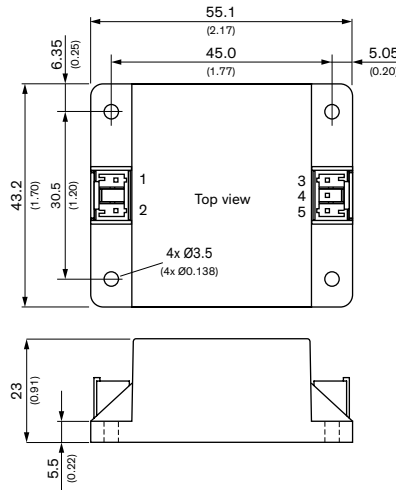
Pin Connections	
Pin	Single
1	NC
2	+Vout
3	GND
4	AC (L)
5	AC (N)

Model	Output Voltage nom.	Output Current max.	Efficiency typ.
TMPW 5-103	3.3 VDC	1515 mA	73 %
TMPW 5-105	5 VDC	1000 mA	77 %
TMPW 5-112	12 VDC	420 mA	81 %
TMPW 5-124	24 VDC	210 mA	83 %

TMPW 5-J

**NEW - under development**

5 Watt



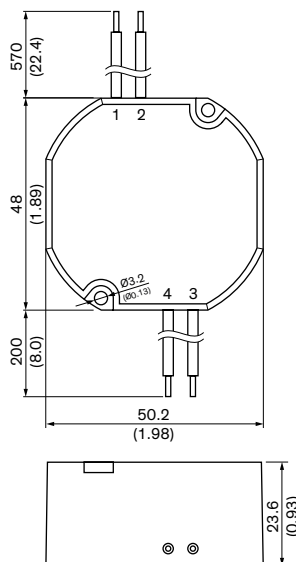
Model	Output Voltage nom.	Output Current max.	Efficiency typ.
TMPW 5-103-J	3.3 VDC	1515 mA	73 %
TMPW 5-105-J	5 VDC	1000 mA	77 %
TMPW 5-112-J	12 VDC	420 mA	81 %
TMPW 5-124-J	24 VDC	210 mA	83 %

- PCB power module in 2.17" x 1.70" package
- Wide 90-305 VAC input voltage range
- Certified according to EN 60355-1 and IEC/EN/UL 62368-1
- I/O-isolation 4000 VAC
- Operating temperature range: -40° to +70°C
- No load input power <0.1W to comply with ErP directive
- EMI meets EN 55032 class B
- High efficiency up to 89%
- Protection class II prepared
- 3-year product warranty

Pin Connections	
Pin	Single
1	AC (L)
2	AC (N)
3	-Vout
4	NC
5	+Vout

TIW 6 / TIW 12

6 / 12 Watt

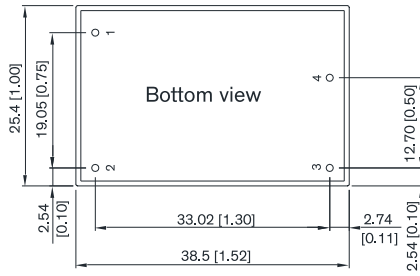
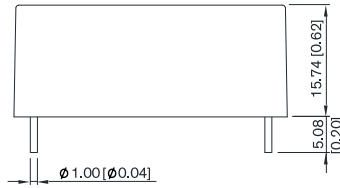


Model	Output Voltage	Output Current	Efficiency typ.
TIW 06-103	3.3 VDC	1.2 A	75 %
TIW 06-105	5 VDC	1.0 A	75 %
TIW 06-106	6 VDC	1.0 A	80 %
TIW 12-112	12 VDC	1.0 A	80 %
TIW 12-115	15 VDC	0.8 A	80 %
TIW 12-124	24 VDC	0.5 A	80 %

- High efficiency switching power supplies
- Easy installation into standard flush boxes
- Fully encapsulated plastic housing
- Dust and waterproof to IP 67
- Protection class II
- Safety approval to IEC/EN 60950-1, EN 50178, EN 60335-1, UL 1310 class 2
- Approved for mounting onto wood or materials with unknown flammability
- Ready to meet ErP directive
- Universal input range 93 to 264 VAC
- Operating temp. range -25°C to +50°C
- Short circuit and overload protection
- 3-year product warranty

Pinout			
Pin	Wire	Color	Type
1	AC (N)	Blue	20AWG/0.52mm <sup>2</sup>
2	AC (L)	Brown	20AWG/0.52mm <sup>2</sup>
3	-Vout	Black	20AWG/0.52mm <sup>2</sup>
4	+Vout	Red	20AWG/0.52mm <sup>2</sup>

**TMPS 10** **10 Watt**

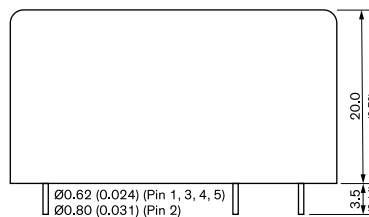
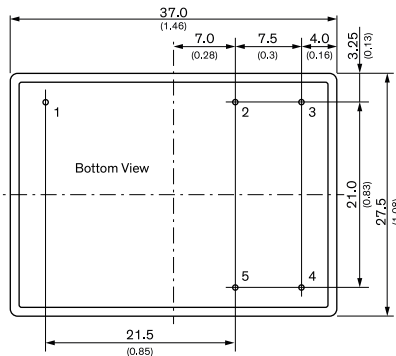


- Ultra Compact 10 Watt PCB Power module in 1" x 1.5" package
- Certified to EN 60335-1 and UL 62368-1 for household and industrial appliance
- Reinforced I/O isolation 4000 VAC
- Operating temperature range -25°C to +70°C
- 130% peak current up to 30 s
- No load input power <0.15 W to comply with ErP directive
- EMI meets EN 55032 class B and EN 55014-1
- Protection class II prepared
- 3-year product warranty

Pin Connections	
Pin	Function
1	AC (N)
2	AC (L)
3	-Vout
4	+Vout

Model	Output Voltage nom.	Output Current max.	Output Current peak	Efficiency typ.
TMPS 10-103	3.3 VDC	2'600 mA	3'380 mA	77 %
TMPS 10-105	5 VDC	2'000 mA	2'600 mA	80 %
TMPS 10-109	9 VDC	1'100 mA	1'440 mA	83 %
TMPS 10-112	12 VDC	830 mA	1'080 mA	84 %
TMPS 10-115	15 VDC	660 mA	860 mA	84 %
TMPS 10-124	24 VDC	410 mA	530 mA	86 %
TMPS 10-148	48 VDC	210 mA	270 mA	84 %

**TMPW 10** **NEW - under development** **10 Watt**



- PCB power module in 1.46" x 1.08" package
- Wide 90-305 VAC input voltage range
- Certified according to EN 60355-1 and IEC/EN/UL 62368-1
- I/O-isolation 4000 VAC
- Operating temperature range: -40° to +70°C
- No load input power <0.1 W to comply with ErP directive
- EMI meets EN 55032 class B
- High efficiency up to 89%
- Protection class II prepared
- 3-year product warranty

Pin Connections	
Pin	Single
1	NC
2	AC (N)
3	AC (L)
4	GND
5	+Vout

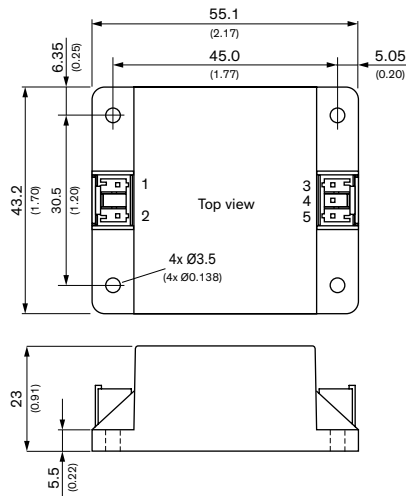
Model	Output Voltage nom.	Output Current max.	Efficiency typ.
TMPW 10-105	5 VDC	2000 mA	81 %
TMPW 10-112	12 VDC	833 mA	85 %
TMPW 10-115	15 VDC	667 mA	86 %
TMPW 10-124	24 VDC	417 mA	86 %



TMPW 10-J

**NEW - under development**

10 Watt



Model	Output Voltage nom.	Output Current max.	Efficiency typ.
TMPW 10-105-J	5 VDC	2000 mA	81 %
TMPW 10-112-J	12 VDC	833 mA	85 %
TMPW 10-115-J	15 VDC	667 mA	86 %
TMPW 10-124-J	24 VDC	417 mA	86 %

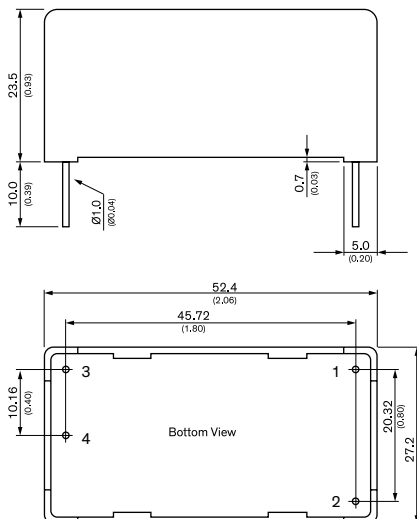
- PCB power module in 2.17" x 1.70" package
- Wide 90-305 VAC input voltage range
- Certified according to EN 60355-1 and IEC/EN/UL 62368-1
- I/O-isolation 4000 VAC
- Operating temperature range: -40° to +70°C
- No load input power <0.1 W to comply with ErP directive
- EMI meets EN 55032 class B
- High efficiency up to 89%
- Protection class II prepared
- 3-year product warranty

Pin Connections	
Pin	Single
1	AC (L)
2	AC (N)
3	-Vout
4	NC
5	+Vout

TMPS 15

**NEW - under development**

15 Watt

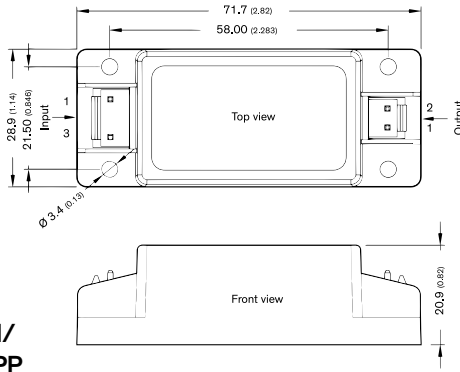


Model	Output Voltage nom.	Output Current max.	Output Current peak	Efficiency typ.
TMPS 15-103	3.3 VDC	3500 mA	4550 mA	75 %
TMPS 15-105	5 VDC	3000 mA	3900 mA	79 %
TMPS 15-112	12 VDC	1250 mA	1625 mA	82 %
TMPS 15-115	15 VDC	1000 mA	1300 mA	82 %
TMPS 15-124	24 VDC	625 mA	813 mA	84 %
TMPS 15-148	48 VDC	313 mA	407 mA	82 %

- Ultra Compact 15 Watt PCB Power module in 2.06" x 1.07" package
- Certified to EN 60335-1 and UL 62368-1 for household and industrial appliance
- I/O isolation 3000 VAC
- Operating temperature range -25°C to +70°C
- 130% peak current up to 30 s
- No load input power <0.15 W to comply with ErP directive
- EMI meets EN 55032 class B and EN 55014-1
- Protection class II prepared
- 3-year product warranty

Pin Connections	
Pin	Function
1	AC (N)
2	AC (L)
3	+Vout
4	-Vout

**TPP 15-J** **15 Watt**

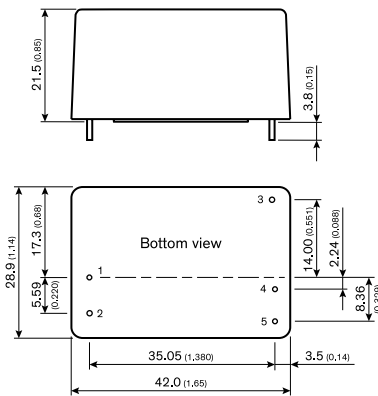


Model	Output Voltage nom.	Output Current max.	Efficiency typ.
TPP 15-103-J	3.3 VDC	4'000 mA	84 %
TPP 15-105-J	5 VDC	3'000 mA	86 %
TPP 15-109-J	9 VDC	1'670 mA	86 %
TPP 15-112-J	12 VDC	1'250 mA	87 %
TPP 15-115-J	15 VDC	1'000 mA	87 %
TPP 15-124-J	24 VDC	625 mA	88 %
TPP 15-136-J	36 VDC	417 mA	88 %
TPP 15-148-J	48 VDC	313 mA	89 %

- High power density power supply (encapsulated)
- Certification according to IEC/EN/ES 60601-1 3rd edition for 2 x MOPP
- Low leakage current <75 µA rated for BF applications
- EMC compliance to IEC 60601-1-2 4th edition
- Risk management process according to ISO 14971 incl. risk management file
- Acceptance criteria for electronic assemblies acc. to IPC-A-610 Level 3
- Protection class II
- Operating up to 5000 m altitude
- Ready to meet ErP directive, no load power consumption <75 mW
- 5-year product warranty

Pin Connectors			
Input		Output	
Pin	Function	Pin	Function
1	Line	1	-Vout
3	Neutral	2	+Vout

**TPP 15-D** **15 Watt**



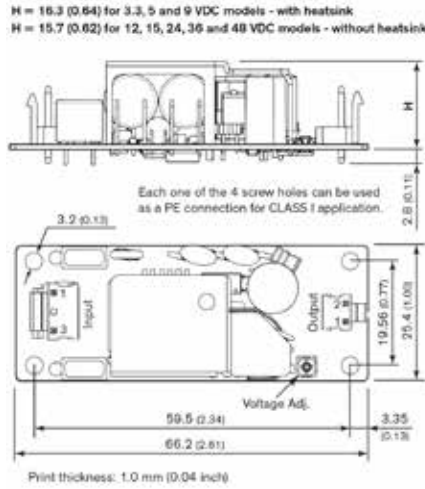
Model	Output Voltage nom. *	*adjustable	Output Current max.	Efficiency typ.
TPP 15-103-D	3.3 VDC	2.97 - 3.63 VDC	4'000 mA	84 %
TPP 15-105-D	5 VDC	4.5 - 5.5 VDC	3'000 mA	86 %
TPP 15-109-D	9 VDC	8.1 - 9.9 VDC	1'670 mA	86 %
TPP 15-112-D	12 VDC	10.8 - 13.2 VDC	1'250 mA	87 %
TPP 15-115-D	15 VDC	13.5 - 16.5 VDC	1'000 mA	87 %
TPP 15-124-D	24 VDC	21.6 - 26.4 VDC	625 mA	88 %
TPP 15-136-D	36 VDC	32.4 - 39.6 VDC	417 mA	88 %
TPP 15-148-D	48 VDC	43.2 - 52.8 VDC	313 mA	89 %

- High power density power supply (encapsulated)
- Certification according to IEC/EN/ES 60601-1 3rd edition for 2 x MOPP
- Low leakage current <75 µA rated for BF applications
- EMC compliance to IEC 60601-1-2 4th edition
- Risk management process according to ISO 14971 incl. risk management file
- Acceptance criteria for electronic assemblies acc. to IPC-A-610 Level 3
- Protection class II
- Operating up to 5000 m altitude
- Ready to meet ErP directive, no load power consumption <75 mW
- 5-year product warranty

Pin Connections	
Pin	Function
1	Neutral
2	Line
3	Trim
4	-Vout
5	+Vout

TPP 15A-J

15 Watt



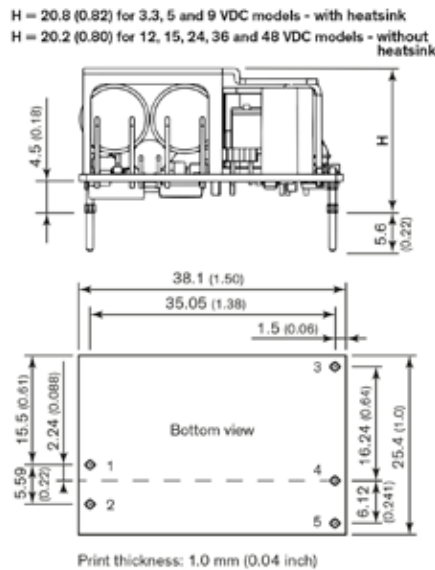
- High power density power supply (open frame)
- Certification according to IEC/EN/ES 60601-1 3rd edition for 2 x MOPP
- Low leakage current <75 µA rated for BF applications
- EMC compliance to IEC 60601-1-2 4th edition
- Risk management process according to ISO 14971 incl. risk management file
- Acceptance criteria for electronic assemblies acc. to IPC-A-610 Level 3
- Protection class I and II
- Operating up to 5000 m altitude
- Ready to meet ErP directive, no load power consumption <75 mW
- 5-year product warranty

Pin Connectors			
Input		Output	
Pin	Function	Pin	Function
1	Line	1	-Vout
3	Neutral	2	+Vout

Model	Output Voltage nom. (adjustable)	Output Current max.	Efficiency typ.
TPP 15-103A-J	3.3 VDC (2.97 - 3.63 VDC)	4'000 mA	84 %
TPP 15-105A-J	5 VDC (4.5 - 5.5 VDC)	3'000 mA	86 %
TPP 15-109A-J	9 VDC (8.1 - 9.9 VDC)	1'670 mA	86 %
TPP 15-112A-J	12 VDC (10.8 - 13.2 VDC)	1'250 mA	87 %
TPP 15-115A-J	15 VDC (13.5 - 16.5 VDC)	1'000 mA	87 %
TPP 15-124A-J	24 VDC (21.6 - 26.4 VDC)	625 mA	88 %
TPP 15-136A-J	36 VDC (32.4 - 39.6 VDC)	417 mA	88 %
TPP 15-148A-J	48 VDC (43.2 - 52.8 VDC)	313 mA	89 %

TPP 15A-D

15 Watt



- High power density power supply (open frame)
- Certification according to IEC/EN/ES 60601-1 3rd edition for 2 x MOPP
- Low leakage current <75 µA rated for BF applications
- EMC compliance to IEC 60601-1-2 4th edition
- Risk management process according to ISO 14971 incl. risk management file
- Acceptance criteria for electronic assemblies acc. to IPC-A-610 Level 3
- Protection class II
- Operating up to 5000 m altitude
- Ready to meet ErP directive, no load power consumption <75 mW
- 5-year product warranty

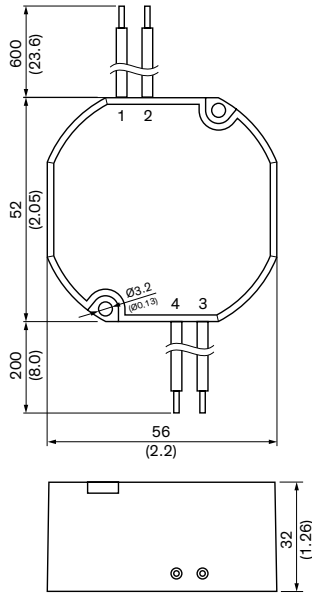
PCB Pinout	
Pin	Function
1	Neutral
2	Line
3	Trim
4	-Vout
5	+Vout

Model	Output Voltage nom. (adjustable)	Output Current max.	Efficiency typ.
TPP 15-103A-D	3.3 VDC (2.97 - 3.63 VDC)	4'000 mA	84 %
TPP 15-105A-D	5 VDC (4.5 - 5.5 VDC)	3'000 mA	86 %
TPP 15-109A-D	9 VDC (8.1 - 9.9 VDC)	1'670 mA	86 %
TPP 15-112A-D	12 VDC (10.8 - 13.2 VDC)	1'250 mA	87 %
TPP 15-115A-D	15 VDC (13.5 - 16.5 VDC)	1'000 mA	87 %
TPP 15-124A-D	24 VDC (21.6 - 26.4 VDC)	625 mA	88 %
TPP 15-136A-D	36 VDC (32.4 - 39.6 VDC)	417 mA	88 %
TPP 15-148A-D	48 VDC (43.2 - 52.8 VDC)	313 mA	89 %

**TIW 24** **24 Watt**



- High efficiency switching power supplies
- Easy installation into standard flush boxes
- Fully encapsulated plastic housing
- Dust and waterproof to IP 67
- Protection class II
- Safety approval to IEC/EN 60950-1 EN 50178, EN 60335-1, UL 1310 class 2
- Approved for mounting onto wood or materials with unknown flammability
- Ready to meet ErP directive
- Universal input range 93 to 264 VAC
- Operating temp. range -25°C to +50°C
- Short circuit and overload protection
- 3-year product warranty



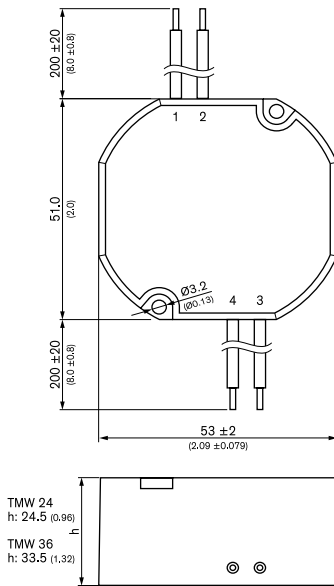
Pinout			
Pin	Wire	Color	Type
1	AC (N)	Blue	20AWG/0.52mm <sup>2</sup>
2	AC (L)	Brown	20AWG/0.52mm <sup>2</sup>
3	-Vout	Black	20AWG/0.52mm <sup>2</sup>
4	+Vout	Red	20AWG/0.52mm <sup>2</sup>

Model	Output Voltage	Output Current	Efficiency typ.
TIW 24-112	12 VDC	2.0 A	83 %
TIW 24-124	24 VDC	1.0 A	85 %

**TMW 24** **NEW - under development** **24 Watt**



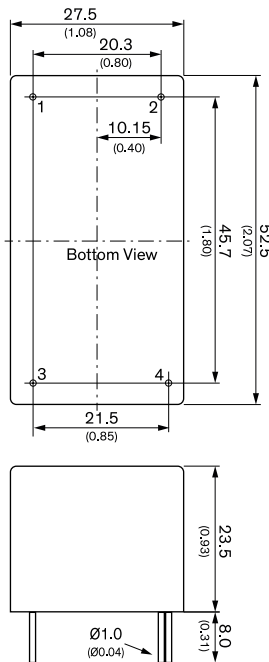
- Fully encapsulated power supplies in IP68 casing with flying leads
- Certification according to IEC/EN/ES 60601-1 3rd edition for 2xMOPP
- Risk management process according to ISO 14971 including risk management file
- Effortless flush box mounting
- Fire safety for furniture
- Low leakage current <100 µA rated for BF applications
- Operating temperature range: -20°C to +80°C max.
- Protection against short-circuit, overload and over voltage
- Protection class II prepared
- 5 year product warranty



Pinout / Conecction			
Pin	Wire	Color	Type
1	Vac IN (N)	Blue	20AWG/0.52mm <sup>2</sup>
2	Vac IN (L)	Brown	20AWG/0.52mm <sup>2</sup>
3	-Vout	Black	20AWG/0.52mm <sup>2</sup>
4	+Vout	Red	20AWG/0.52mm <sup>2</sup>

Model	Output Voltage nom.	Output Current max.	Efficiency typ.
TMW 24-105	5 VDC	4000 mA	85 %
TMW 24-112	12 VDC	2000 mA	85 %
TMW 24-124	24 VDC	1000 mA	90 %

**TMPW 25** **NEW - under development** **25 Watt**

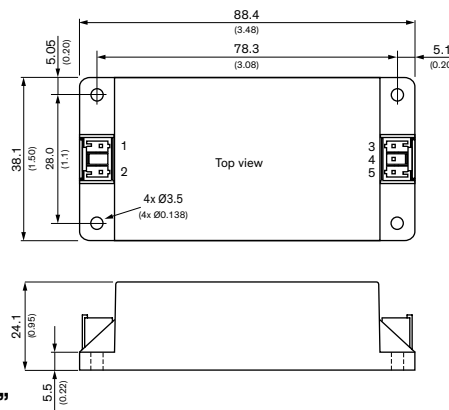


Model	Output Voltage nom.	Output Current max.	Efficiency typ.
TMPW 25-105	5.1 VDC	3922 mA	84 %
TMPW 25-112	12 VDC	2083 mA	88 %
TMPW 25-115	15 VDC	1666 mA	88 %
TMPW 25-124	24 VDC	1042 mA	87 %

- PCB power module in 2.07" x 1.08" package
- Wide 90-305 VAC input voltage range
- Certified according to EN 60355-1 and IEC/EN/UL 62368-1
- I/O-isolation 4000 VAC
- Operating temperature range: -40° to +70°C
- No load input power <0.1W to comply with ErP directive
- EMI meets EN 55032 class B
- High efficiency up to 89%
- Protection class II prepared
- 3-year product warranty

Pin Connections	
Pin	Function
1	AC (L)
2	AC (N)
3	+Vout
4	-Vout

**TMPW 25-J** **NEW - under development** **25 Watt**



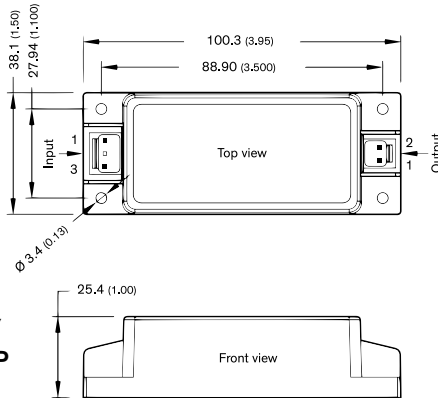
Model	Output Voltage nom.	Output Current max.	Efficiency typ.
TMPW 25-105-J	5.1 VDC	3922 mA	84 %
TMPW 25-112-J	12 VDC	2083 mA	88 %
TMPW 25-115-J	15 VDC	1666 mA	88 %
TMPW 25-124-J	24 VDC	1042 mA	87 %

- PCB power module in 3.48" x 1.50" package
- Wide 90-305 VAC input voltage range
- Certified according to EN 60355-1 and IEC/EN/UL 62368-1
- I/O-isolation 4000 VAC
- Operating temperature range: -40° to +70°C
- No load input power <0.1W to comply with ErP directive
- EMI meets EN 55032 class B
- High efficiency up to 89%
- Protection class II prepared
- 3-year product warranty

Pin Connections	
Pin	Single
1	AC (L)
2	AC (N)
3	-Vout
4	NC
5	+Vout

TPP 30-J

30 Watt



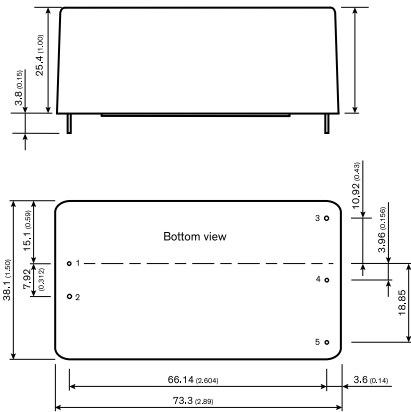
- High power density power supply (encapsulated)
- Certification according to IEC/EN/ES 60601-1 3rd edition for 2 x MOPP
- Low leakage current <75 µA rated for BF applications
- EMC compliance to IEC 60601-1-2 4th edition
- Risk management process according to ISO 14971 incl. risk management file
- Acceptance criteria for electronic assemblies acc. to IPC-A-610 Level 3
- Protection class II
- Operating up to 5000 m altitude
- Ready to meet ErP directive, no load power consumption <60 mW
- 5-year product warranty

Model	Output Voltage nom. (adjustable)	Output Current max.	Efficiency typ.
TPP 30-103-J	3.3 VDC (2.97 - 3.63 VDC)	6'000 mA	84 %
TPP 30-105-J	5 VDC (4.5 - 5.5 VDC)	6'000 mA	87 %
TPP 30-109-J	9 VDC (8.1 - 9.9 VDC)	3'340 mA	88 %
TPP 30-112-J	12 VDC (10.8 - 13.2 VDC)	2'500 mA	91 %
TPP 30-115-J	15 VDC (13.5 - 16.5 VDC)	2'000 mA	91 %
TPP 30-124-J	24 VDC (21.6 - 26.4 VDC)	1'250 mA	90 %
TPP 30-136-J	36 VDC (32.4 - 39.6 VDC)	840 mA	90 %
TPP 30-148-J	48 VDC (43.2 - 52.8 VDC)	630 mA	92 %

Pin Connectors			
Input		Output	
Pin	Function	Pin	Function
1	Line	1	+Vout
3	Neutral	2	-Vout

TPP 30-D

30 Watt



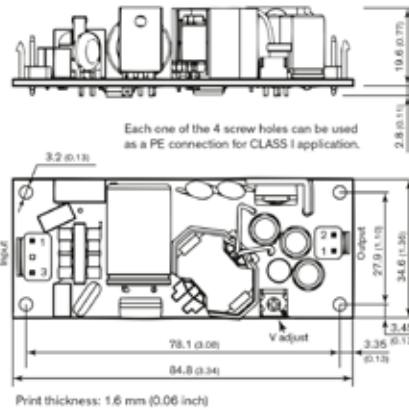
- High power density power supply (encapsulated)
- Certification according to IEC/EN/ES 60601-1 3rd edition for 2 x MOPP
- Low leakage current <75 µA rated for BF applications
- EMC compliance to IEC 60601-1-2 4th edition
- Risk management process according to ISO 14971 incl. risk management file
- Acceptance criteria for electronic assemblies acc. to IPC-A-610 Level 3
- Protection class II
- Operating up to 5000 m altitude
- Ready to meet ErP directive, no load power consumption <60 mW
- 5-year product warranty

Model	Output Voltage nom. (adjustable)	Output Current max.	Efficiency typ.
TPP 30-103-D	3.3 VDC (2.97 - 3.63 VDC)	6'000 mA	84 %
TPP 30-105-D	5 VDC (4.5 - 5.5 VDC)	6'000 mA	87 %
TPP 30-109-D	9 VDC (8.1 - 9.9 VDC)	3'340 mA	88 %
TPP 30-112-D	12 VDC (10.8 - 13.2 VDC)	2'500 mA	91 %
TPP 30-115-D	15 VDC (13.5 - 16.5 VDC)	2'000 mA	91 %
TPP 30-124-D	24 VDC (21.6 - 26.4 VDC)	1'250 mA	90 %
TPP 30-136-D	36 VDC (32.4 - 39.6 VDC)	840 mA	90 %
TPP 30-148-D	48 VDC (43.2 - 52.8 VDC)	630 mA	92 %

PCB Pinout	
Pin	Function
1	Neutral
2	Line
3	+Vout
4	-Vout
5	Trim

TPP 30A-J

30 Watt



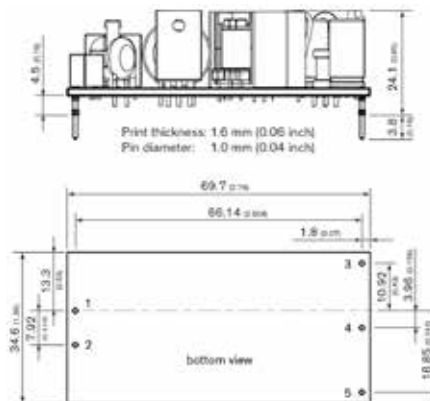
- High power density power supply (open frame)
- Certification according to IEC/EN/ES 60601-1 3rd edition for 2 x MOPP
- Low leakage current <75 µA rated for BF applications
- EMC compliance to IEC 60601-1-2 4th edition
- Risk management process according to ISO 14971 risk management file
- Acceptance criteria for electronic assemblies acc. to IPC-A-610 Level 3
- Protection class I and II
- Operating up to 5000 m altitude
- Ready to meet ErP directive, no load power consumption <60 mW
- 5-year product warranty

Model	Output Voltage nom. (adjustable)	Output Current max.	Efficiency typ.
TPP 30-103A-J	3.3 VDC (2.97 - 3.63 VDC)	6'000 mA	84 %
TPP 30-105A-J	5 VDC (4.5 - 5.5 VDC)	6'000 mA	87 %
TPP 30-109A-J	9 VDC (8.1 - 9.9 VDC)	3'340 mA	88 %
TPP 30-112A-J	12 VDC (10.8 - 13.2 VDC)	2'500 mA	91 %
TPP 30-115A-J	15 VDC (13.5 - 16.5 VDC)	2'000 mA	91 %
TPP 30-124A-J	24 VDC (21.6 - 26.4 VDC)	1'250 mA	90 %
TPP 30-136A-J	36 VDC (32.4 - 39.6 VDC)	840 mA	90 %
TPP 30-148A-J	48 VDC (43.2 - 52.8 VDC)	630 mA	92 %

Pin Connectors			
Input		Output	
Pin	Function	Pin	Function
1	Line	1	+Vout
3	Neutral	2	-Vout

TPP 30A-D

30 Watt

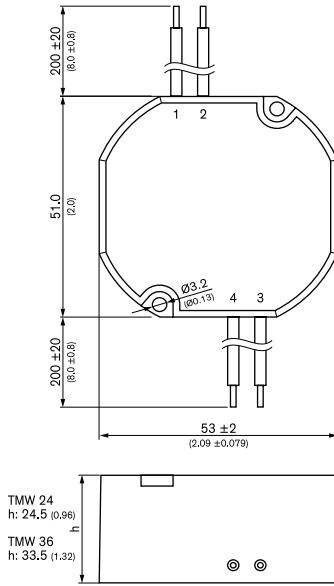


- High power density power supply (open frame)
- Certification according to IEC/EN/ES 60601-1 3rd edition for 2 x MOPP
- Low leakage current <75 µA rated for BF applications
- EMC compliance to IEC 60601-1-2 4th edition
- Risk management process according to ISO 14971 risk management file
- Acceptance criteria for electronic assemblies acc. to IPC-A-610 Level 3
- Protection class II
- Operating up to 5000 m altitude
- Ready to meet ErP directive, no load power consumption <60 mW
- 5-year product warranty

Model	Output Voltage nom. (adjustable)	Output Current max.	Efficiency typ.
TPP 30-103A-D	3.3 VDC (2.97 - 3.63 VDC)	6'000 mA	84 %
TPP 30-105A-D	5 VDC (4.5 - 5.5 VDC)	6'000 mA	87 %
TPP 30-109A-D	9 VDC (8.1 - 9.9 VDC)	3'340 mA	88 %
TPP 30-112A-D	12 VDC (10.8 - 13.2 VDC)	2'500 mA	91 %
TPP 30-115A-D	15 VDC (13.5 - 16.5 VDC)	2'000 mA	91 %
TPP 30-124A-D	24 VDC (21.6 - 26.4 VDC)	1'250 mA	90 %
TPP 30-136A-D	36 VDC (32.4 - 39.6 VDC)	840 mA	90 %
TPP 30-148A-D	48 VDC (43.2 - 52.8 VDC)	630 mA	92 %

PCB Pinout	
Pin	Function
1	Neutral
2	Line
3	+Vout
4	-Vout
5	Trim

**TMW 36** **NEW - under development** **36 Watt**



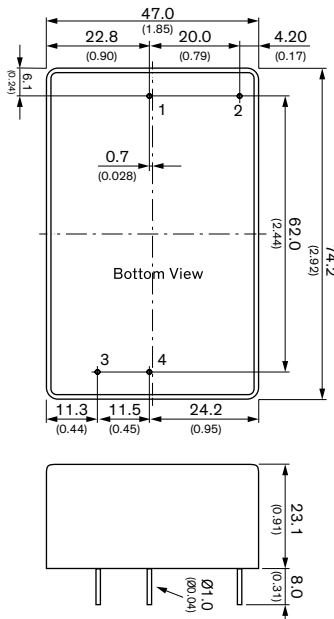
TMW 24  
h: 24.5 (0.96)  
TMW 36  
h: 33.5 (1.32)

- Fully encapsulated power supplies in IP68 casing with flying leads
- Certification according to IEC/EN/ES 60601-1 3rd edition for 2xMOPP
- Risk management process according to ISO 14971 including risk management file
- Effortless flush box mounting
- Fire safety for furniture
- Low leakage current <100 µA rated for BF applications
- Operating temperature range: -20°C to +80°C max.
- Protection against short-circuit, over load and over voltage
- Protection class II prepared
- 5 year product warranty

Pinout / Connection			
Pin	Wire	Color	Type
1	Vac IN (N)	Blue	20AWG/0.52mm <sup>2</sup>
2	Vac IN (L)	Brown	20AWG/0.52mm <sup>2</sup>
3	-Vout	Black	20AWG/0.52mm <sup>2</sup>
4	+Vout	Red	20AWG/0.52mm <sup>2</sup>

Model	Output Voltage nom.	Output Current max.	Efficiency typ.
TMW 36-112	12 VDC	3.0 A	87 %
TMW 36-124	24 VDC	1.5 A	88 %

**TMPW 50** **NEW - under development** **50 Watt**



- PCB power module in 2.92" x 1.85" package
- Wide 90-305 VAC input voltage range
- Certified according to EN 60355-1 and IEC/EN/UL 62368-1
- I/O-isolation 4000 VAC
- Operating temperature range: -40° to +70°C
- No load input power <0.1W to comply with ErP directive
- EMI meets EN 55032 class B
- High efficiency up to 89%
- Protection class II prepared
- 3-year product warranty

Pin Connections	
Pin	Single
1	AC (N)
2	AC (L)
3	-Vout
4	+Vout

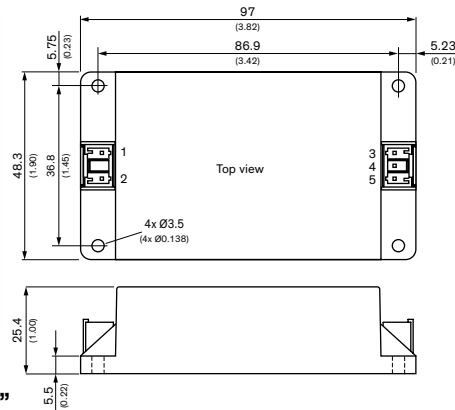
Model	Output Voltage nom.	Output Current max.	Efficiency typ.
TMPW 50-112	12 VDC	4167 mA	89 %
TMPW 50-115	15 VDC	3333 mA	88 %
TMPW 50-124	24 VDC	2083 mA	88 %



TMPW 50-J

**NEW - under development**

50 Watt



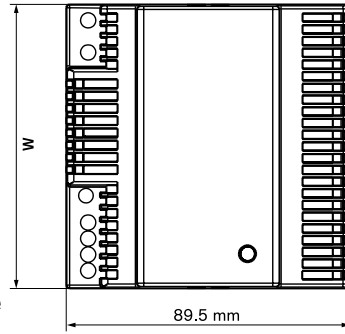
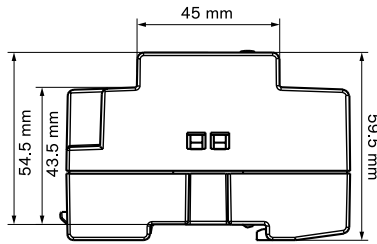
Model	Output Voltage nom.	Output Current max.	Efficiency typ.
TMPW 50-112-J	12 VDC	4167 mA	89 %
TMPW 50-115-J	15 VDC	3333 mA	88 %
TMPW 50-124-J	24 VDC	2083 mA	88 %

- PCB power module in 3.92" x 1.90" package
- Wide 90-305 VAC input voltage range
- Certified according to EN 60355-1 and IEC/EN/UL 62368-1
- I/O-isolation 4000 VAC
- Operating temperature range: -40° to +70°C
- No load input power <0.1W to comply with ErP directive
- EMI meets EN 55032 class B
- High efficiency up to 89%
- Protection class II prepared
- 3-year product warranty

#### Pin Connections

Pin	Single
1	AC (N)
2	AC (L)
3	-Vout
4	NC
5	+Vout

**TBLC** **6–90 Watt**



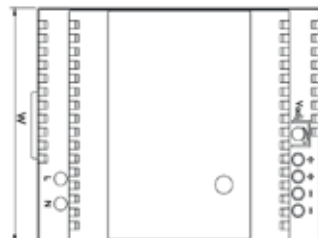
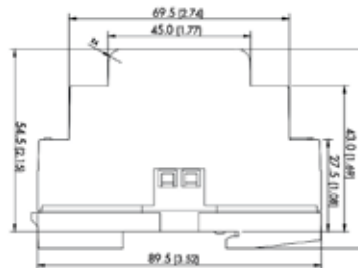
- Low profile, module depth only 55mm
- Suitable for mounting in domestic installation panels
- Very high efficiency and low standby power -> compliance to ECO-Standard
- High power density
- Low output ripples and spikes
- For distributed power
- UL 1310 class II, NEC class 2 compliance
- UL 508 listed
- Universal input range 85 to 264 VAC
- Operating temperature range: -25°C to +70°C
- Adjustable output voltage
- Short circuit and overload protection
- DC-OK indicator LED
- 3-year product warranty

Dimension Table		Weight
Model	Width [W]	[g]
TBLC 06	18 mm	60
TBLC 15	27 mm	80
TBLC 25	36 mm	110
TBLC 50	54 mm	180
TBLC 75	72 mm	220
TBLC 90	90 mm	280

Model	Output Power (max.)	Output Voltage* (nom.)(adjust.)	Output Current (max.)	Efficiency (typ.)
TBLC 06-105	6 W	5.0VDC	1.2 A	74 %
TBLC 06-112	6 W	12 VDC	0.5 A	81 %
TBLC 06-124	6 W	24 VDC	0.25 A	79 %
TBLC 15-105	12 W	5.0VDC	2.4 A	81 %
TBLC 15-112	15 W	12 VDC	1.25 A	85 %
TBLC 15-124	15 W	24 VDC	0.63 A	85 %
TBLC 25-105	20 W	5.0VDC	4.0 A	82 %
TBLC 25-112	24 W	12 VDC	2.0 A	86 %
TBLC 25-124	25 W	24 VDC	1.05 A	87 %
TBLC 50-112	48 W	12 VDC	4.0 A	88 %
TBLC 50-124	50 W	24 VDC	2.1 A	89 %
TBLC 75-112	72 W	12 VDC	6.0 A	89 %
TBLC 75-124	75 W	24 VDC	3.1 A	89 %
TBLC 90-112	90 W	12 VDC	7.5 A	90 %
TBLC 90-124	90 W	24 VDC	3.75 A	90 %

\* Output voltage can be adjusted as indicated. However, output power has to be maintained at nominal value. This means the output nominal current has to be reduced in accordance with the increase of output voltage.

**TBL** **15–150 Watt**



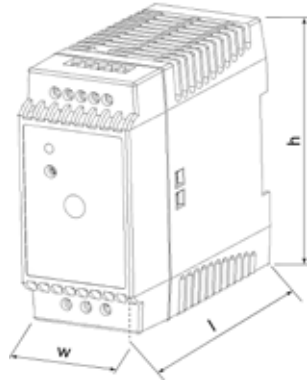
- Low profile, module depth only 55mm
- Fits into flat control panels used in building automation
- Safety class II product
- UL 1310 class II, NEC class 2 compliance (models up to 90 W)
- UL 508 listed
- Universal input range 85 to 264 VAC (auto range for 150 Watt models)
- Operating temperature range: -25°C to +70°C max.
- Adjustable output voltage
- Short circuit and overload protection
- DC-OK indicator
- Easy snap-on mounting on DIN-rail or with wall mounting bracket (included)
- 3-year product warranty

Dimension Table		Weight
Model	Width [W]	[g]
TBL 015	26.3 mm	100
TBL 030	52.5 mm	160
TBL 060	70.0 mm	230
TBL 090	105 mm	340
TBL 150	175 mm	625

Model	Output Power (max.)	Output Voltage* (nom.)(adjust.)	Output Current (max.)	Efficiency (typ.)
TBL 015-105	12 W	5.0 VDC	2.4 A	73 %
TBL 015-112	15 W	12 VDC	1.25 A	79 %
TBL 015-124	15 W	24 VDC	0.63 A	81 %
TBL 030-112	30 W	12 VDC	2.5 A	81 %
TBL 030-124	30 W	24 VDC	1.25 A	83 %
TBL 060-112	54 W	12 VDC	4.5 A	83 %
TBL 060-124	60 W	24 VDC	2.5 A	85 %
TBL 090-112	72 W	12 VDC	6.0 A	84 %
TBL 090-124	90 W	24 VDC	3.75 A	86 %
TBL 150-112	120 W	12 VDC	10 A	84 %
TBL 150-124	150 W	24 VDC	6.25 A	87 %

TPC

30–120 Watt



- For industrial, office and residential environments
- Meets European ErP directive (green mode), <0.3 W no load power consumption
- High efficiency across full load range
- Reliable snap-on mounting on DIN-rails or with wall mounting bracket (not included)
- Universal input 85–264 VAC, 47–63 Hz
- Output voltage adjustable
- Power good signal
- Low ripple and noise
- Overload and short-circuit protection
- Optional module for parallel and redundant operation
- 3-year product warranty

Dimension Table			
Model	Width [W]	Length[L]	Height[h]
TPC 30	26.5 mm	96.5 mm	90 mm
TPC 55	45 mm	96.5 mm	90 mm
TPC 80	63 mm	96.5 mm	90 mm
TPC 120	72 mm	96.5 mm	90 mm

Model	Input Voltage Ranges	Output Power max.	Output Voltage nom./ adj. range	Output Current (max.)
TPC 030–105	85–264 VAC Universal Input 47/63 Hz	20 W	5.0 VDC / 5.0–6.0 VDC	4.0 A
TPC 030–112		26 W	12 VDC / 12–15 VDC	2.2 A
TPC 030–124		30 W	24 VDC / 24–28.8 VDC	1.25 A
TPC 030–148		30 W	48 VDC / 48–56 VDC	0.6 A
TPC 055–112	90–375 VDC	42 W	12 VDC / 12–15 VDC	3.5 A
TPC 055–124		55 W	24 VDC / 24–28.8 VDC	2.3 A
TPC 055–148		55 W	48 VDC / 48–56 VDC	1.15 A
TPC 080–112		72 W	12 VDC / 12–15 VDC	6.0 A
TPC 080–124	90–375 VDC	80 W	24 VDC / 24–28.8 VDC	3.3 A
TPC 080–148		80 W	48 VDC / 48–56 VDC	1.7 A
TPC 120–112		96 W	12 VDC / 12–15 VDC	8.0 A
TPC 120–124		120 W	24 VDC / 24–28.8 VDC	5.0 A
TPC 120–148		120 W	48 VDC / 48–56 VDC	2.5 A

TCL

24–240 Watt



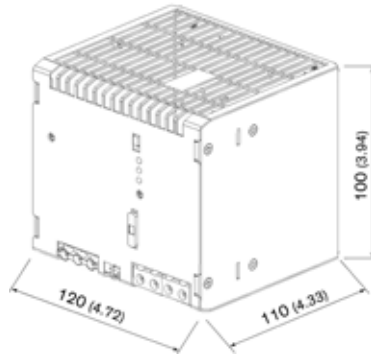
- For industrial, office and residential applications
- Ultracompact plastic housing
- Connection by spring clamp terminals or detachable screw terminal block
- Reliable snap-on mounting on DIN-rails
- Adaptor for wall mounting
- Universal input 85–264 VAC, 50/60 Hz
- Models with 5, 12, 24 & 48 VDC output
- Output voltage adjustable
- Power OK signal
- Low ripple and noise
- Overload and short-circuit protection
- Parallel operation possible
- Worldwide safety approvals
- Redundancy module
- 3-year product warranty

Dimension Table			
Model	Width [W]	Length[L]	Height[h]
TCL 024	27 mm	100 mm	75 mm
TCL 60	45 mm	100 mm	75 mm
TCL 120	85 mm	100 mm	75 mm
TCL 240	85 mm	125 mm	110 mm

Model	Input Voltage Ranges	Output Power max.	Output Voltage nom.	Output Current (max.)	Connection
TCL 024–105	85 – 264 VAC Universal Input 50/60 Hz	20 W	5 VDC	4.0 A	Detachable screw terminal blocks
TCL 024–112		24 W	12VDC	2.0 A	
TCL 024–124		24 W	24 VDC	1.0 A	
TCL 060–112		60 W	12 VDC	4.0 A	
TCL 060–124	85 – 375 VDC	24 W	24 VDC	2.5 A	Spring clamp terminals
TCL 060–148		48 VDC	1.25 A		
TCL 120–112		120 W	12 VDC	8.0 A	
TCL 120–124		120 W	24 VDC	5.0 A	
TCL 240–124	85–132 / 187–264 VAC	240 W	24 VDC	10.0 A	
TCL 024–124C	85 – 264 VAC Universal Input 50/60 Hz	24 W	24 VDC	1.0 A	Spring clamp terminals
TCL 060–112C		60 W	12 VDC	4.0 A	
TCL 060–124C		60 W	24 VDC	2.5 A	
TCL 060–148C		48 VDC	1.25 A		
TCL 120–112C	85 – 375 VDC	120 W	12 VDC	8.0 A	
TCL 120–124C			24 VDC	5.0 A	

TSPC-240-124UPS

240 Watt



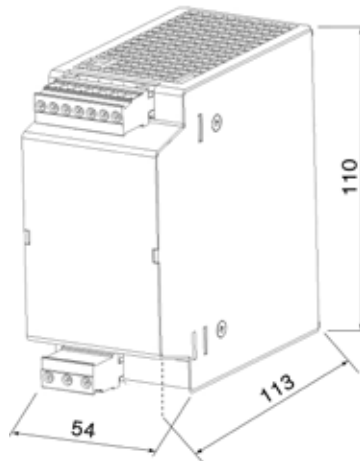
- Compact universal power supply for uninterruptable 24 VDC output voltage
- Battery protection for over voltage, deep discharge, short circuit and reverse connection
- Alarm outputs for input, output and battery condition
- Remote On/Off for UPS function and power supply
- Controlled end of charge voltage by battery temperature sensor
- International safety approval package
- Suitable for various external 12 VDC lead acid batteries

Model	Input Voltage Range	Output Current max.*	Back up Battery
TSPC 240-124 UPS	Low Line: 85-132 VAC High Line: 187-264 VAC	24 VDC / 12 A	12V lead acid battery (to purchase on local market, or TRACO POWER battery pack)

\* Maximum current at nominal Vout

TSP-BCMU360

360 Watt



- Universal battery controller module for uninterruptable 24 VDC and 48 VDC bus voltage
- Redundant inputs for two independent sources
- Battery protection for over voltage, deep discharge, short circuit and reverse connection
- Alarm outputs for input, output and battery condition
- Remote On/Off for battery
- Controlled end of charge voltage by temperature sensor
- International safety approval package
- 3-year product warranty

Model	Inputs	Input Voltage Range	Output Current max.*	Back up Battery
TSP-BCMU360	2 x 360 W, for any single or two identical 24 VDC or 48 VDC sources	24-28 or 48-56 VDC (range selection with jumper)	24 VDC / 15 A 48 VDC / 7.5 A	12V lead acid battery (to purchase on local market, or TRACO POWER battery pack)

\* Maximum current at nominal Vout

## SOLAR INVERTER



TRI

## SMART HOME CONTROLLER



TMPS10

## EV CHARGER



TCL-DC

## SMART GRID IOT



TSR1

## ACCESS/ SECURITY



TBLC25

## SMART HOME INTERFACE



TIW

## Building Technology Power Supplies

## AC/DC from 2–150 Watt

- DIN-Rail form factor max. 55 mm depth
- Flushbox solutions available
- EN 60335-1 Household compliant
- Low-standby power consumption ERP directive
- IEC/EN/UL 62368-1 compliant

For more information, datasheet and certifications please visit our website [www.tracopower.com](http://www.tracopower.com)

TRACO POWER dedicated to design and production of high quality, state-of-the-art DC/DC & AC/DC power conversion products. Our mission is to provide optimal power supply solutions for specific applications with regard to performance, quality, cost and functionality.

TRACO POWER stocks an average of USD 25+ million in available finished goods inventory for immediate shipment through our distribution partners.

TRACO POWER offers extended product life-cycles, typically 10+ years, and our products are supported by a 3 or 5 year product warranty. We understand our customers require a high quality solution as well as a diverse product offering, availability from stock, extended life-cycles and a strong commitment to quality in the form of extended warranty to support their business.

**International Office**

Traco Electronic AG  
Sihlbruggstrasse 111  
6340 Baar  
Switzerland

P +41 43 311 45 11  
F +41 43 311 45 45  
info@tracopower.com

**German Office**

Traco Electronic GmbH  
Oskar-Messter-Str. 20a  
85737 Ismaning/München  
Germany

P +49 89 96 11 82-0  
F +49 89 96 11 82-20  
info@tracopower.de

**French Office**

Traco Power France  
17, rue de la Vanne  
92120 Montrouge  
France

M +33 (0)6 72 11 52 21  
info@tracopower.fr

**North America Office**

Traco Power North America, Inc.  
2025 Gateway Place #330  
SAN JOSE, CA 95110  
USA

P +1 (408) 916-4570  
F +1 (408) 916-4571  
salesusa@tracopower.com

**Design & Development**

Traco Power Solutions Ltd.  
Whitemill Industrial Estate  
Whitemill Road, Wexford  
Y35 YH66, Ireland

P +353 53 9167 700  
F +353 53 9167 701  
info@tracopower.ie