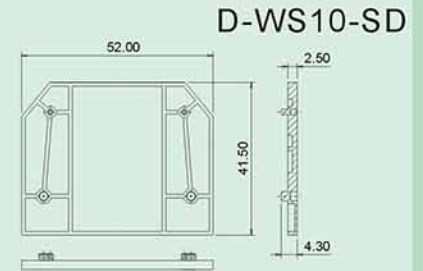
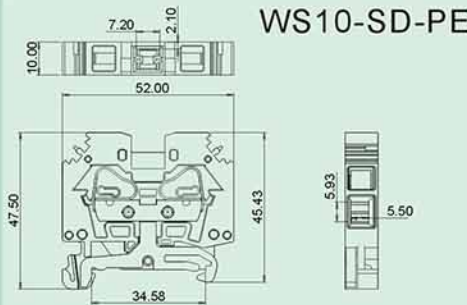
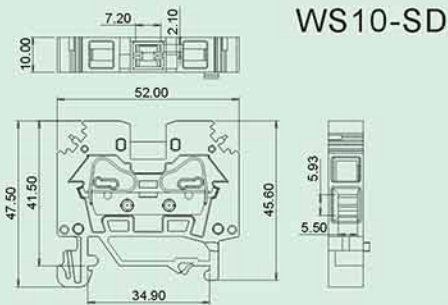

**WS10-SD/WS10-SD-PE  
/D-WS10-SD**

- 笼式弹簧结构, 良好的抗振性;
- 两侧进线的一进一出结构, 操作方便;
- 提供带接地与不带接地两种规格;
- 最大线径: 10mm<sup>2</sup>.
- Spring-cage structure with excellent resistance to vibration;
- Side entry with one input and one output, easy for operation;
- PE and non-PE specifications available;
- Maximum wire range: 10mm<sup>2</sup>.


**技术参数 Technical data**

 APPROVAL: **CE**

型号 Model	线径 Wire range (AWG/mm <sup>2</sup> )	线数 Poles	IEC60947技术参数 (IEC60947 data sheet)		UL1059技术参数 (UL1059 data sheet)	
			电压(V) Rated voltage	电流(A) Rated current	电压(V) Rated voltage	电流(A) Rated current
WS10-SD	24-8/0.2-10	01P	800	57	600	50
WS10-SD-PE	24-8/0.2-10	01P	-	-	-	-
D-WS10-SD	-/-	01P	-	-	-	-

**应用行业 Application**

工业自动化, 仪器仪表, 电梯, 新能源, 电力电气, 机械等行业。  
 Industrial automation, instrument, elevator, new energy, electric power, machinery etc.


**产品包装方式 Packing**

Product model	Pcs./Pkt.
WS10-SD-01P	25
WS10-SD-PE-01P	25
D-WS10-SD	50

**型号对照 Cross reference**

DEGSON	同行1/Competitor1	同行2/Competitor2
WS10-SD	284-101	-
WS10-SD-PE	284-107	-
D-WS10-SD	284-301	-

**产品订货 How to order**

WS10-SD	-	0	1	P	-	1	Y	-	0	0	A(H)
Series NO.											Standard
			1 Single pitch				通用色 General Color				
			2 Double pitch				Grey				PANTONE 430C DEGSON 01
WS10-SD-PE	-	0	1	P	-	1	C	-	0	0	A(H)
Series NO.											Standard
			1 Single pitch				通用色 General Color				
			2 Double pitch				Green/Yellow				PANTONE - DEGSON 0C