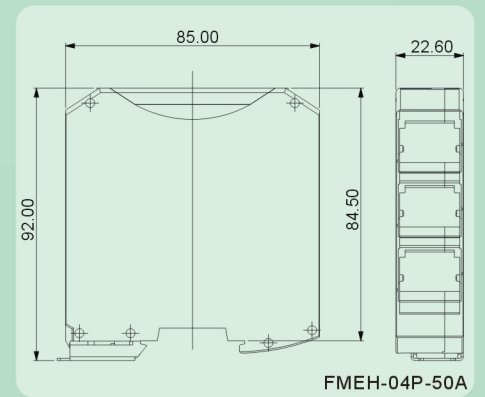
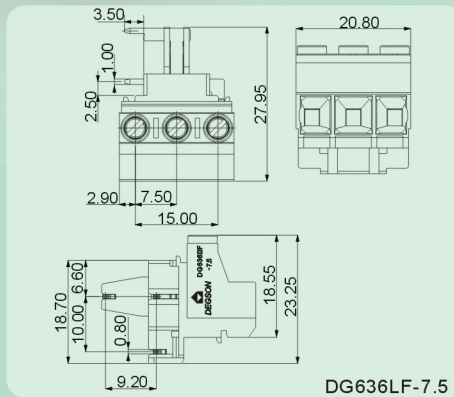
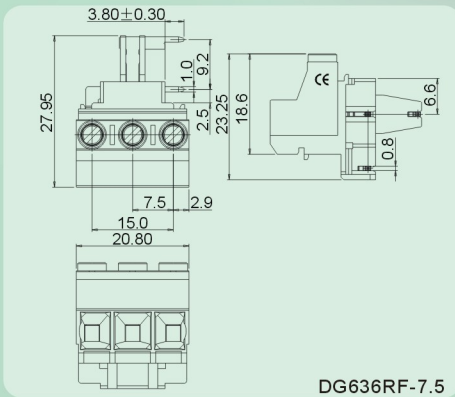


FMEH-04P-50A/DG636RF/LF-7.5

- 模块化连接技术。
- 可订制个性化需求。
- 透明盖结构，增加防护等级。
- 插座可安装在电子模块外壳上。
- Modular connection technology.
- Customized products are available.
- Transparent cover can increase protection grade.
- The socket can be mounted on the electronics module housing.



技术参数 Technical data

APPROVAL: CE

型号 Model	线径 Wire range (AWG/mm ²)	线数 Poles	IEC60947技术参数 (IEC60947 data sheet)		UL1059技术参数 (UL1059 data sheet)	
			电压(V) Rated voltage	电流(A) Rated current	电压(V) Rated voltage	电流(A) Rated current
FMEH-04P-50A	28-12/1.0-2.5	04P	-	-	25	1
DG636LF-7.5	30-12/0.2-2.5	03P	630	24	300	20
DG636RF-7.5	30-12/0.2-2.5	03P	630	24	300	20

应用行业 Application

工业自动化，仪器仪表，电力电气等行业。
industrial automation, instrument, electric power.



产品包装方式 Packing

Product model	Pcs./Pkt.
FMEH-04P-50A	10
DG636LF-7.5-03P	25
DG636RF-7.5-03P	25

型号对照 Cross reference

DEGSON	同行1/Competitor1	同行2/Competitor2
FMEH-04P-50A	ME MAX	-
DG636LF-7.5	MKDSO-2.5HV	-
DG636RF-7.5	MKDSO-2.5HV	-

产品订货 How to order

FMEH	0	4	P	1	4	5	0	A(H)
Series NO.	NO. of pole					Standard		
	1 Single pitch	2 Double pitch	1	通用色 General Color		Grey	PANTONE 429C	DEGSON 41
DG636LF-7.5	0	3	P	1	4	0	0	A(H)
DG636RF-7.5	NO. of pole					Standard		
	1 Single pitch	2 Double pitch	1	通用色 General Color		Grey	PANTONE 429C	DEGSON 41