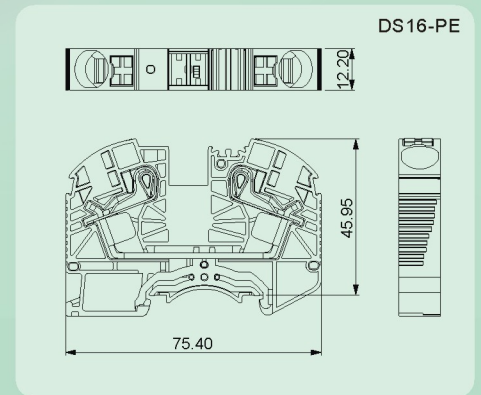
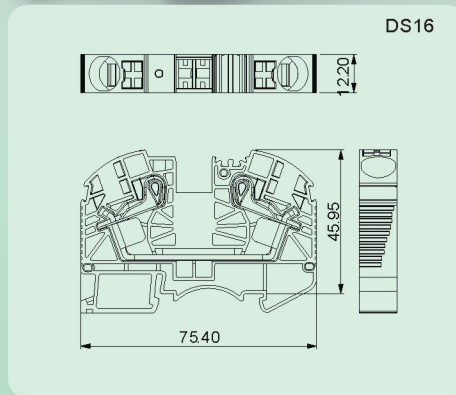


### DS16/DS16-PE

- Push-in连接技术，接线快捷。
- 紧凑设计和斜角进线，操作更快捷。
- 提供外形相同的接地端子。
- Push-in connection technology for fast wiring.
- Compact design and tilt wiring, wiring is more convenient.
- Provide ground terminal with the same shape.



### 技术参数 Technical data

APPROVAL: **CE**

型号 Model	线径 Wire range (AWG/mm <sup>2</sup> )	线数 Poles	IEC60947技术参数 (IEC60947 data sheet)		UL1059技术参数 (UL1059data sheet)	
			电压(V) Rated voltage	电流(A) Rated current	电压(V) Rated voltage	电流(A) Rated current
DS16	20-4/0.5-25	01P	1000	76	600	85
DS16-PE	20-4/0.5-25	01P	-	-	-	-

### 应用行业 Application

工业自动化、电力电气、电梯、机械等行业。  
Industrial automation, electric power, elevator, machinery.



### 产品包装方式 Packing

Product model	Pcs./Pkt.
DS16	10
DS16-PE	10

### 型号对照 Cross reference

DEGSON	同行1/Competitor1	同行2/Competitor2
DS16	PT16N	-
DS16-PE	PT16N-PE	-

### 产品订货 How to order

DS16	-	0	1	P	-	X	X	-	0	0	A(H)
Series NO.		NO. of pole							Standard		
		1 Single pitch	2 Double pitch			1 通用色 General Color			PANTONE 43.0C		
						1 Grey			DEGSON 01		

DS16-PE	-	0	1	P	-	X	X	-	0	0	A(H)
Series NO.		NO. of pole							Standard		
		1 Single pitch	2 Double pitch			1 通用色 General Color			PANTONE -		
						1 Grey			DEGSON -		