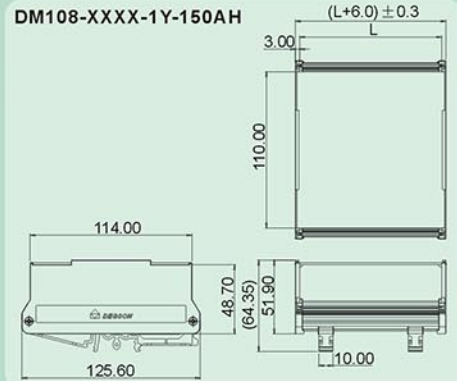


DM108-XXXX-1Y-150AH

- 在DM108-00AH基础上增加顶部透明盖板;
- Adding transparent cover at the top based on DM108-00AH.



技术参数 Technical data

APPROVAL: **CE**

| 型号 Model | 线径 Wire range (AWG/mm ²) | 线数 Poles | IEC60947技术参数 (IEC60947 data sheet) | | UL1059技术参数 (UL1059 data sheet) | |
|-------------|--|-------------|------------------------------------|---------------------|--------------------------------|---------------------|
| | | | 电压(V) Rated voltage | 电流(A) Rated current | 电压(V) Rated voltage | 电流(A) Rated current |
| DM108 | - | 01P | - | - | - | - |

应用行业 Application

工业自动化, 仪器仪表, 电梯, 机械, 电力电气等行业。
industrial automation, instrument, elevator, machinery, electric power etc.



产品包装方式 Packing

| Product model | Pcs./Pkt. |
|---------------|-----------|
| DM108 | 10 |

型号对照 Cross reference

| DEGSON | 同行1/Competitor1 | 同行2/Competitor2 |
|--------|-----------------|-----------------|
| DM108 | - | - |

产品订货 How to order

| | | | | | | | |
|------------|---|----------------|---|-----|---|-------------------|---------------------------|
| DM108 | - | X X X X | - | 1 4 | - | 1 5 10 A(H) | Standard |
| Series NO. | | Length | | | | 通用色 General Color | |
| | | 1 Single pitch | | 4 | | Green | PANTONE 556C DEGSON 04 |
| | | 2 Double pitch | | | | | |