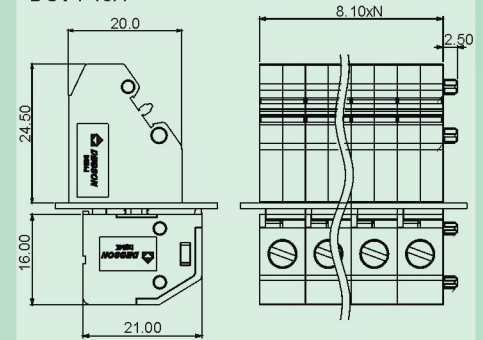


DGV4-10A

- 在00AH的基础上增加拼接柱。
- Add splicing column on the basis of 00AH.

DGV4-10A



技术参数 Technical data

APPROVAL: **CE**

型号 Model	线径 Wire range (AWG/mm ²)	线数 Poles	IEC60947技术参数 (IEC60947 data sheet)		UL 1059技术参数 (UL1059data sheet)	
			电压(V) Rated voltage	电流(A) Rated current	电压(V) Rated voltage	电流(A) Rated current
DGV4-10A	30-10/0.2-6	01P	400	41	300	30

应用行业 Application

工业自动化、电源等行业。
Industrial automation, power supply.



产品包装方式 Packing

Product model	Pcs./Pkt.
DGV4-10A	50

型号对照 Cross reference

DEGSON	同行1/Competitor1	同行2/Competitor2
DGV4-10A	-	-

产品订货 How to order

DGV4	-	0	1	P	-	X	X	-	1	0	A(H)
Series NO.		NO. of pole							Standard		
		1 Single pitch	2 Double pitch						通用色 General Color	PANTONE 429C	DEGSON 41
								1 Grey			