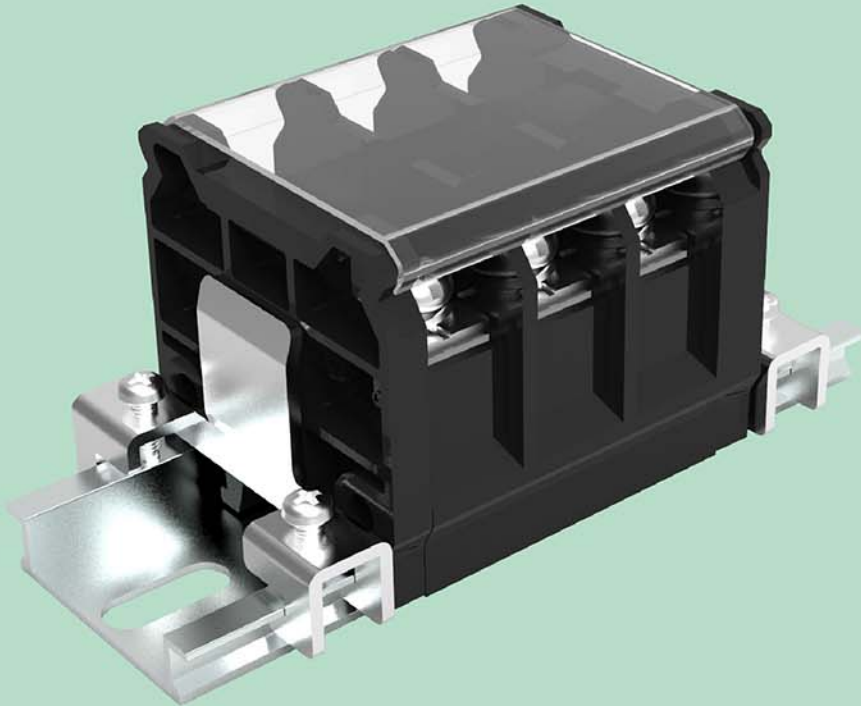
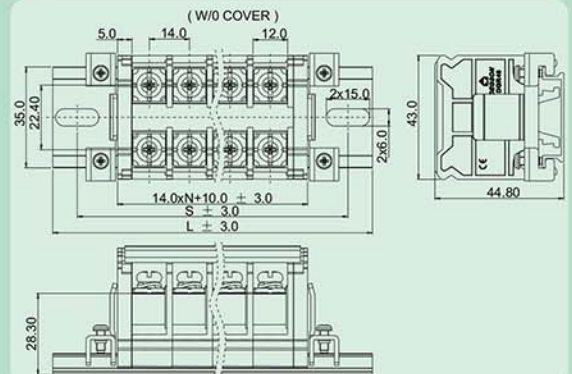


DGR40



- 弹簧式垫圈螺丝式连接技术, 可实现OT/DT端子转换;
- 可轨道安装亦可面板固定安装, 可实现空间狭小及壳体内存装。
- Screw technology with spring washer, mating with OT/DT terminal;
- Rail mounting or Panel mounting, suitable for narrow space or install inside enclosure.



技术参数 Technical data

APPROVAL: CE

型号 Model	线径 Wire range (AWG/mm ²)	线数 Poles	IEC60947技术参数 (IEC60947 data sheet)		UL1059技术参数 (UL1059 data sheet)	
			电压(V) Rated voltage	电流(A) Rated current	电压(V) Rated voltage	电流(A) Rated current
DGR40	22-8/6	01-16P	1000	40	600	40

应用行业 Application

工业自动化, 电梯, 新能源, 电力电气, 机械等行业。
Industrial automation, elevator, new energy, electric power, machinery etc.



产品包装方式 Packing

Product model	Pcs./Pkt.	Product model	Pcs./Pkt.
DGR40-01P	10	DGR40-07P	10
DGR40-02P	10	DGR40-08P	10
DGR40-03P	10	DGR40-09P	10
DGR40-04P	10	DGR40-10P	10
DGR40-05P	10	DGR40-11P	10
DGR40-06P	10	DGR40-12P	10

型号对照 Cross reference

DEGSON	同行1/Competitor1	同行2/Competitor2
DGR40	-	-

产品订货 How to order

DGR40	X	X	P	1	Y	0 0 A(H) Standard
Series NO.	NO. of pole					
	1 Single pitch	2 Double pitch				通用色 General Color PANTONE 419C Black DEGSON 03