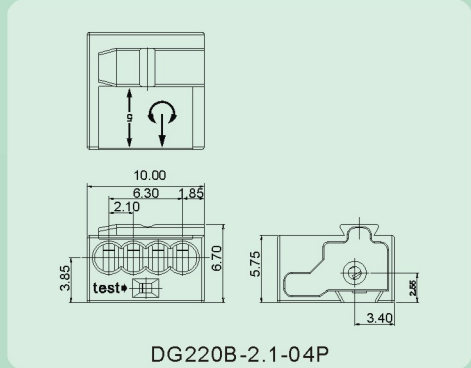
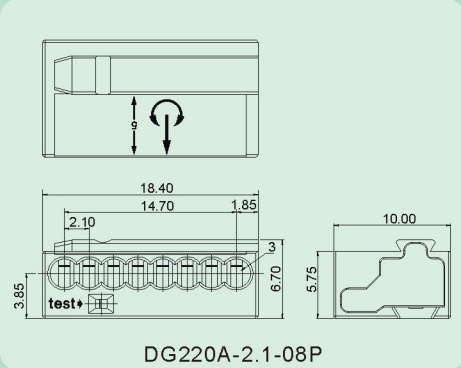
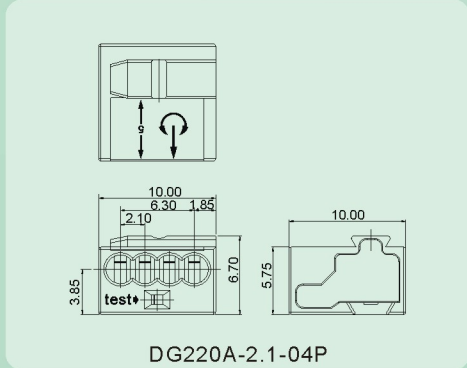
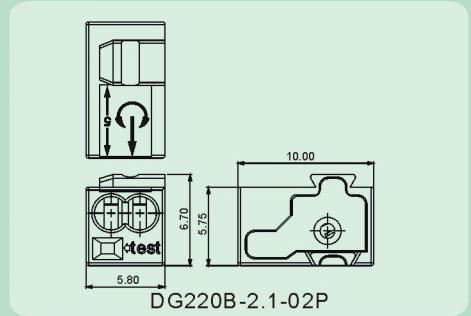


### DG220A/B-2.1

- 用于接线盒的连接器;
- 直插式接线方式.
- Connector for junction boxes;
- Push-in termination.



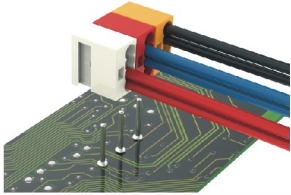
### 技术参数 Technical data

APPROVAL: CE

型号 Model	线径 Wire range (AWG/mm <sup>2</sup> )	线数 Poles	IEC60998技术参数 (IEC60998 data sheet)		UL486C技术参数 (UL486C data sheet)	
			电压(V) Rated voltage	电流(A) Rated current	电压(V) Rated voltage	电流(A) Rated current
DG220A-2.1	22-18/0.5-1.0	04/08P	100	6	150	7
DG220B-2.1	22-18/0.5-1.0	02/04P	100	6	150	7
DG220J	-	01P	-	-	-	-

### 应用行业 Application

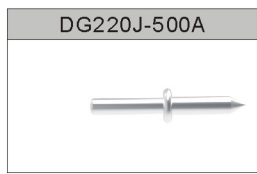
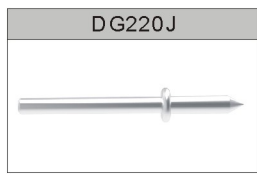
LED照明行业 LED Lighting



### 产品包装方式 Packing

Product model	Pcs./Pkt.
DG220B-2.1-02P	100
DG220A/B-2.1-04P	100
DG220A-2.1-08P	100
DG220J	100

### 附件 Accessory



### 型号对照 Cross reference

DEGSON	同行1/Competitor1	同行2/Competitor2
DG220A/B-2.1	W/243-2XX	-
DG220J	W/243-131	-

### 产品订货 How to order

DG220A/B-2.1 - 0 4 P - 1 Y - 0 0 A(H)

Series NO. NO. of pole Pitch General Color

1	Single pitch	1	Grey	PANTONE 430C
2	Double pitch	8	Yellow	PANTONE 108C
		6	Red	PANTONE 208C