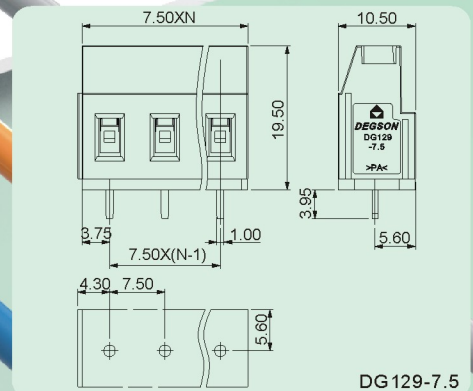
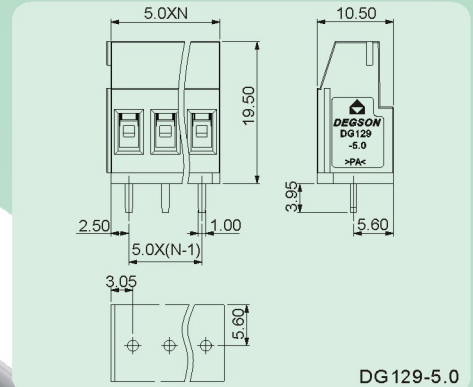
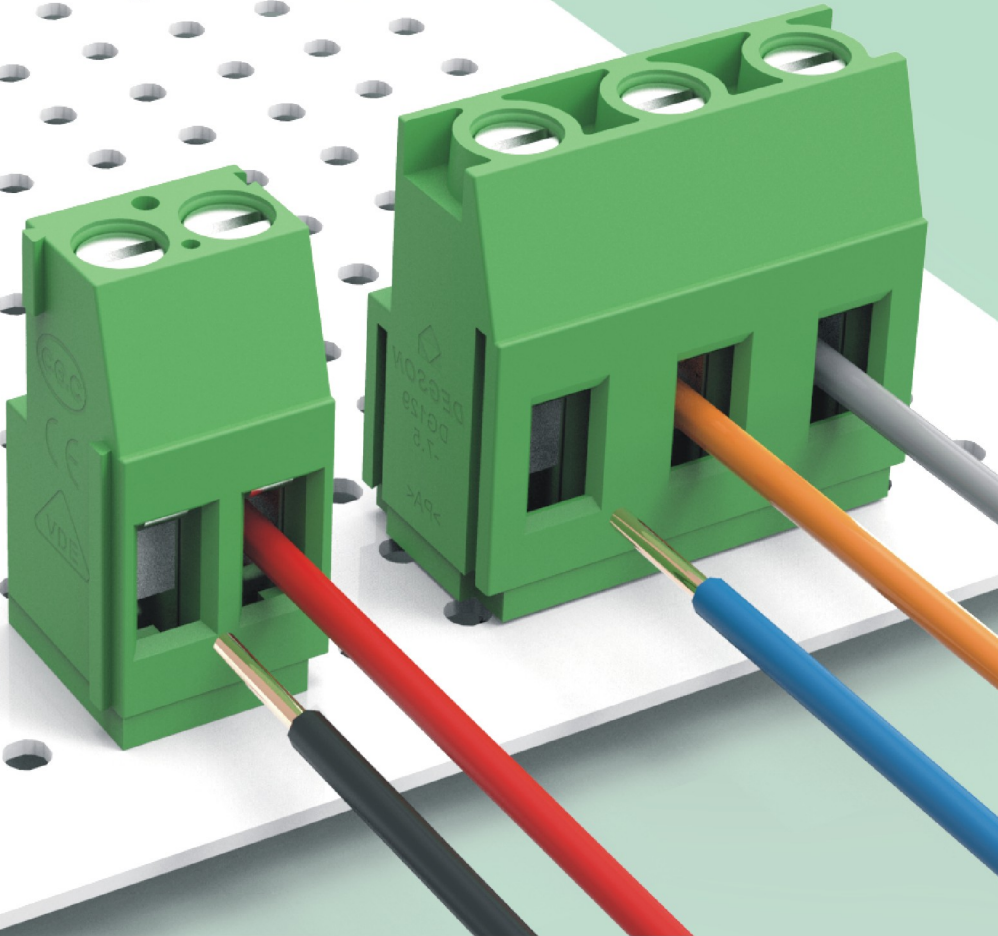


DG129-5.0/7.5-100A

- 100A升级为双拼接，提升拼接力与稳定性。
- 100A升级螺丝结构，避免螺丝下陷风险。
- 100A upgrade to double stitching for improved stitching and stability.
- 100A upgrade screw structure, avoid the risk of screw sag.



技术参数 Technical data

APPROVAL: 

型号 Model	线径 Wire range (AWG/mm ²)	线数 Poles	IEC60947技术参数 (IEC60947 data sheet)		UL1059技术参数 (UL1059 data sheet)	
			电压(V) Rated voltage	电流(A) Rated current	电压(V) Rated voltage	电流(A) Rated current
DG129-5.0	26-12/0.5-2.5	2-XXP	250	20	300	20
DG129-7.5	26-12/0.5-2.5	2-XXP	450	20	300	20

应用行业 Application

工业自动化，电源，仪器仪表，安防等行业。
Industrial automation, power supply, instrument, security etc.



产品包装方式 Packing

Product model	Pcs./Pkt.
DG129-5.0	50
DG129-7.5	50

型号对照 Cross reference

DEGSON	同行1/Competitor1	同行2/Competitor2
DG129-5.0	-	-
DG129-7.5	-	-

产品订货 How to order

