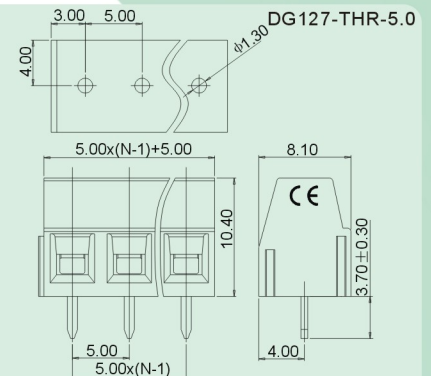


DG127-THR-5.0

- 耐高温材料,可采用THR回流焊接工艺。
- 螺钉连接结构,操作方便。
- 最大线径: 1.5mm²。
- High-temperature resistance material,used in THR reflow processes.
- Screw connection structure,easy operation.
- Max.wire range:1.5mm².



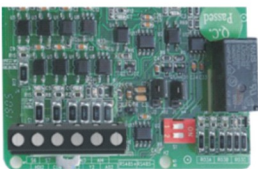
技术参数 Technical data

APPROVAL: CE

型号 Model	线径 Wire range (AWG/mm ²)	线数 Poles	IEC60947技术参数 (IEC60947 data sheet)		UL1059技术参数 (UL1059 data sheet)	
			电压(V) Rated voltage	电流(A) Rated current	电压(V) Rated voltage	电流(A) Rated current
DG127-THR-5.0	30-14/0.2-1.5	02-24P	320	13.5	300	10

应用行业 Application

工业自动化、仪器仪表、电梯、电源等行业。
Industrial automation, instrument, elevator, power supply.



产品包装方式 Packing

Product model	Pcs./Pkt.	Product model	Pcs./Pkt.
DG127-THR-5.0-02P	50	DG127-THR-5.0-09P	50
DG127-THR-5.0-03P	50	DG127-THR-5.0-10P	50
DG127-THR-5.0-04P	50	DG127-THR-5.0-11P	50
DG127-THR-5.0-05P	50	DG127-THR-5.0-12P	50
DG127-THR-5.0-06P	50		
DG127-THR-5.0-07P	50		
DG127-THR-5.0-08P	50		

型号对照 Cross reference

DEGSON	同行1/Competitor1	同行2/Competitor2
DG127-THR-5.0	MKDSN1.5/X-5.0	-

产品订货 How to order

