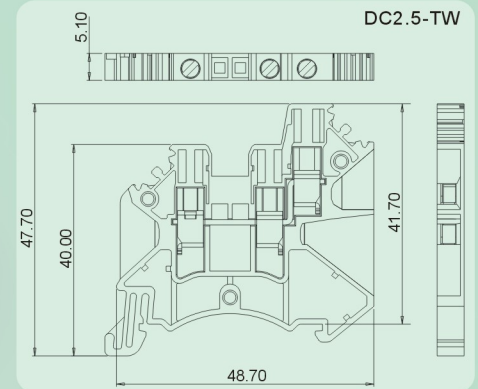


DC2.5-TW

- 一进两出结构, 适用于紧凑型配线。
- 载流体采用紫铜材料, 保证良好的电气性能。
- 螺钉连接结构, 接线牢固。
- One in two out structure, Using with compact wiring.
- Copper current Carrier, Fire Electrical Performance.
- Connecting structure with Screw, Secure Connecting.



技术参数 Technical data

APPROVAL: CE

型号 Model	线径 Wire range (AWG/mm ²)	线数 Poles	IEC60947技术参数 (IEC60947 data sheet)		UL1059技术参数 (UL1059 data sheet)	
			电压(V) Rated voltage	电流(A) Rated current	电压(V) Rated voltage	电流(A) Rated current
DC2.5-TW	22-12/0.25-4	01P	1000	24	600	20

应用行业 Application

工业自动化、电力电气、电梯、机械等行业。
Industrial automation, electric power, elevator, machinery.



产品包装方式 Packing

Product model	Pcs./Pkt.
DC2.5-TW	50

附件 Accessory

D-DC2.5-TW



DFA-2.5



ZB5



型号对照 Cross reference

DEGSON	同行1/Competitor1	同行2/Competitor2
DC2.5-TW	TB 2.5-TWIN I	-

产品订货 How to order

DC2.5-TW	-	0	1	P	-	X	X	-	0	0	A(H)
Series NO.		NO. of pole				General Color			Standard		
		1 Single pitch				1 Grey			PANTONE 430C		
		2 Double pitch							DEGSON		01