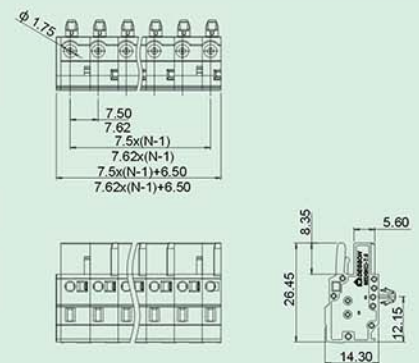


## 8EDGKC-7.62

- 笼式弹簧结构抗振性能好；
- 带固定脚结构，可安装在面板上；
- 最大线径：2.5mm<sup>2</sup>
- Cage spring type, good anti-vibration performance.
- Fixing hook structure, can assemble on the panel board.
- Max. wire range : 2.5mm<sup>2</sup>



### 技术参数 Technical data

APPROVAL: **CE**

型号 Model	线径 Wire range	线数 Poles	IEC60947技术参数 (IEC60947 data sheet)		UL1059技术参数 (UL1059 data sheet)	
			电压(V) Rated voltage	电流(A) Rated current	电压(V) Rated voltage	电流(A) Rated current
8EDGKC-7.62	0.2-2.5mm <sup>2</sup> /22-14AWG	02-12P	400	20	300	15

### 应用行业 Application

工业自动化，新能源，电力电气，仪器仪表，电梯等行业。  
Industrial automation, new energy, electric power, instrument, elevator etc.



### 产品包装方式 Packing

Product model	Pcs./Pkt.	Product model	Pcs./Pkt.
8EDGKC-7.62-02P	100	8EDGKC-7.62-08P	50
8EDGKC-7.62-03P	100	8EDGKC-7.62-09P	50
8EDGKC-7.62-04P	100	8EDGKC-7.62-10P	50
8EDGKC-7.62-05P	100	8EDGKC-7.62-11P	50
8EDGKC-7.62-06P	50	8EDGKC-7.62-12P	50
8EDGKC-7.62-07P	50		

### 产品匹配 Counterparts

	8EDGVC-7.5/7.62	8EDGRC-7.5/7.62
DG032-3.81	•	•

### 型号对照 Cross reference

DEGSON	同行1/Competitor1	同行2/Competitor2
8EDGKC-7.62	231-7XX/008-000	4751XX/030

### 产品订货 How to order

8EDGKC-7.62	-	X	X	P	-	1	Y	-	0	0	0	0	AH
Series NO.		NO. of pole							通用色 General Color				
		1	2						1	Grey	PANTONE 429C	DEGSON 41	