

MOSCLEAN AS1

Air Purifier Manual

Model : -

- It is intended to keep you safe and not to allow any property damage.
- Be sure to read this manual first and follow its directions.
- Keep the manual a place where you can find it easily.
- A product warranty is included in the manual.

■ Safety precautions



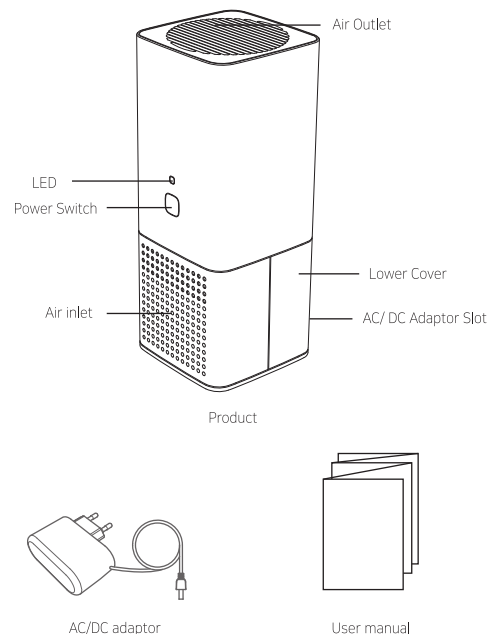
Warning:

Failure to follow these instructions may result in major injury or property damage.

- Do not insert fingers or foreign materials such as pins, nails, etc. into the air inlet and outlet.
- Do not open the filter cover during working.
- Do not open, repair, or alter the product or adaptor arbitrarily.
- Do not use the product in high humid area, and do not touch the adaptor (or power plug) with wet hands.
- Do not use the product in where there are combustible gas or flammable materials.
- Do not spray the product with combustible materials such as pesticide.
- Do not plug multiple appliances into one power outlet at the same time; use a dedicated outlet.
- Use the specified adaptor and do not use a damaged adaptor or a damaged plug.
- Make sure the adaptor is plugged into 100-240VAC 50/60Hz power supply outlet only.
- Disconnect the power cord while the product is not in use.
- Do not use a damaged or a dusty power cord, or a damaged power socket.
- Do not insert foreign materials such as pins, nails, etc. into the product.
- If there are any odd noises, burning odor, or smoke, unplug the power cord immediately.
- Do not use the product and power cord close to any heater.
- Do not attach anything? on the power cord or adaptor.
- If the product is damaged or immersed, be sure to fix it before use.
- Do not immerse the product in water and do not pour water on the product.
- Do not bend the power cord and do not get it damaged.
- Turn off the product first and then unplug the power cord.
- Do not give any strong impact to the product.

This appliance has a polarized plug (one blade is wider than the other). To reduce the risk of electric shock, this plug is intended to fit in a polarized outlet only one way. If the plug does not fit fully in the outlet, reverse the plug. If it still does not fit, contact a qualified electrician. Do not attempt to defeat this safety feature.

■ Names of parts



■ Product Specification

Product Name	MOSCLEAN AS1
Model Name	CPASV1GW
Product Dimension	70x70x175mm
Product Weight	385g
Rated Output Voltage	DC12V
Power Consumption	4W
Filter Cleaning Cycle	pre filter 3month violeds filter 6month
Class of insulation materials	Class III devices

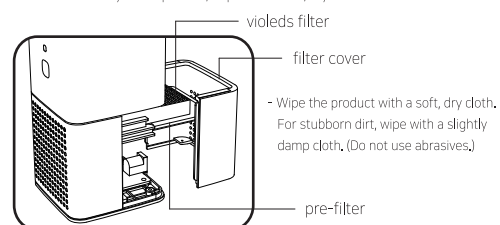
■ How to install

- Do not use the product on an unstable area such as a tilted or a windy place.
- Make sure to be no obstacles in the area of air inlet or outlet of the product.
- Make sure to use the product with a filter.
- Do not use the product to remove toxic gas.
- Keep the product away more than 5cm from its surroundings.
- Do not use the product in a location exposed to direct sunlight.

- Keep the product in a stable position.
- Be sure that the adaptor included is inserted into DC adaptor slot backside of the product and then plugged into the power supply outlet.
- If you press the Start/Stop button, the product starts.
- If you press the Start/Stop button during working, the product stops.

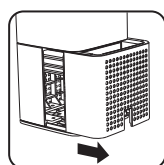
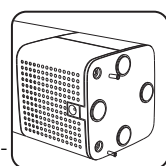
■ How to clean

- Disconnect the power cord prior to cleaning or exchanging a filter.
- Never spray water directly to clean or wipe the product with detergent containing organic solvents(thinners, etc.), bleach, chlorine, and abrasives.
- Clean Pre-filter and violeds filter periodically.
- To clean the body of the product, Wipe with a soft, dry cloth.



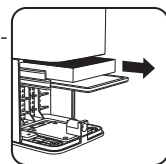
• How to clean the pre-filter/violeds filter

- 1 Separate the adaptor from the product and then loosen the screw at the bottom of the product.



- 2 Open the cover at the back of the product.

- 3 Separate Pre-filter and violeds filter from the product



■ How to clean

- 4 How to clean the pre-filter
cleaning period / 3month



Remove the dust or clean the pre-filter with water and dry it before using the product.

- 5 How to recycle violeds filter
cleaning period / 6month



After immersing the violeds filter in boiling water for 20 to 30 minutes, wipe the water off and dry completely using paper towel or dryer before using the product.

* Take care not to burn yourself with boiled water.

- 6 Insert the cleaned pre-filter and violeds filter into the product and assemble in reverse order.

WARRANTY

- If product fails to operate in the way specified in the manual, during one (1) year warranty
- period after purchasing the product, then free-repair or free-replacement shall be provided, at the discretion of the manufacturer.
- If the product fails to operate due to negligence or fault of the customer, then repair or replacement may be provided for a fee.
- Please keep this warranty card and all related documents in a safe place, these are your only copies and they shall not be reissued.

Model Name CPASV1GW
Distributor(Dealer)
Date of purchase
Customer Name
Telephone No.
Customer Address
Note