

MOSCLEAN AC1

Air Purifier instruction manual

- It is intended to keep you safe and not to allow any property damage.
- Be sure to read this manual first and follow its directions.
- Keep the manual a place where you can find it easily.
- A product warranty is included in the manual.

Safety precautions

Warning: Failure to follow these instructions may result in major injury or property damage.

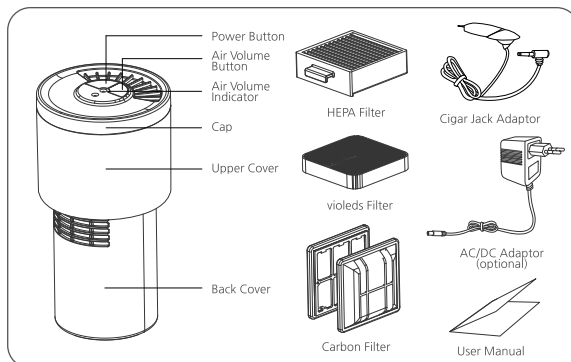
1. Do not insert fingers or foreign materials such as pins, nails, etc. into the air inlet and outlet.
2. Do not open the filter cover during working.
3. Do not open, repair, or alter the product or adaptor arbitrarily.
4. Do not use the product in high humid area, and do not touch the adaptor (or power plug) with wet hands.
5. Do not use the product in where there are combustible gas or flammable materials.
6. Do not spray the product with combustible materials such as pesticide.

Caution: Failure to follow these instructions may result in minor injury or property damage.

1. Do not plug multiple appliances into one power outlet at the same time; use a dedicated outlet.
2. Use the specified adaptor and do not use a damaged adaptor or a damaged plug.
3. Plug the adapter into cigar lighter socket or 100~240V, 50/60Hz outlet.
4. Remove the power plug and cigarette lighter adapter when not in use.
5. Do not use a damaged or a dusty power cord, or a damaged power socket.
6. Do not insert foreign materials such as pins, nails, etc. into the product.
7. If there are any odd noises, burning odor, or smoke, unplug the power cord immediately.
8. Do not use the adapter and product close to heat sources.
9. Do not attach anything? on the power cord or adaptor.
10. If the product is damaged or immersed, be sure to fix it before use.
11. Do not immerse the product in water and do not pour water on the product.
12. Do not bend the power cord and do not get it damaged.
13. Turn off the product first and then unplug the power cord.
14. Do not give any strong impact to the product or drop it on the floor.

1

Names of parts



How to install

Caution: Failure to follow these instructions may result in minor injury or property damage.

- Do not use the product on an unstable area such as a tilted or a windy place.
- Make sure to be no obstacles in the area of air inlet or outlet of the product.
- Make sure to use the product with a filter.
- Do not use the product to remove toxic gas.
- Do not use the product in a location exposed to direct sunlight.

1. Connect the cigar jack adaptor into the power plug.
2. Connect the cigar jack adaptor into cigar lighter socket.

How to operate

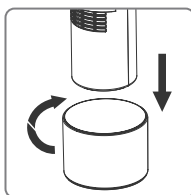
1. When the power is turned on, it automatically operates with air volume before it was turned off.
2. If you press the air volume button, you can change the air volume to weak and strong.
3. Press and hold the power button for 2 seconds to turn off the product.

2

How to clean

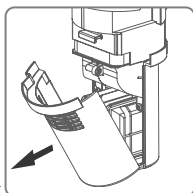
Caution: Failure to follow these instructions may result in minor injury or property damage.

- Disconnect the power cord prior to cleaning or exchanging a filter.
- Never spray water directly to clean or wipe the product with detergent containing organic solvents(thinners, etc.), bleach, chlorine, and abrasives.
- Clean Pre-filter and violeds filter periodically.
- To clean the body of the product, Wipe with a soft, dry cloth.

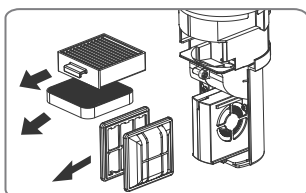


- 1 Turn upper cover clockwise and pull it downward.

- 2 Pull the back cover forward as shown.



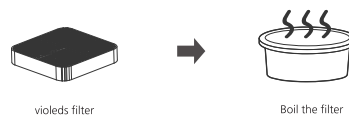
- 3 Remove the filter from the product.



3

How to clean

4 How to recycle violeds filter cleaning period / 6month



After immersing the violeds filter in boiling water for 20 to 30 minutes, wipe the water off and dry completely using paper towel or dryer before using the product.
* Take care not to burn yourself with boiled water.

- 5 Insert the cleaned pre-filter and violeds filter into the product and assemble in reverse order.

How to replace

- Purchase the HEPA filter and the carbon filter separately and replace as described above.
- Exchanging period / 6month
(The cycle of replacement of HEPA filter and carbon filter may vary depending on the environment.)

Product warranty (1 year from the date of purchase)

- If product fails to operate in the way specified in the manual, during one (1) year warranty period after purchasing the product, then free-repair or free-replacement shall be provided, at the discretion of the manufacturer.
- If the product fails to operate due to negligence or fault of the customer, then repair or replacement may be provided for a fee.
- Please keep this warranty card and all related documents in a safe place, these are your only copies and they shall not be reissued.

Product Name	MOSCLEAN AC1(AIR PURIFIER)	Model Name	CS-AP01DSZ/RWZ
Date of Purchase		Date of Purchase	
Distributor(Dealer)		Customer Name	
Customer Address			
Telephone No.			

4