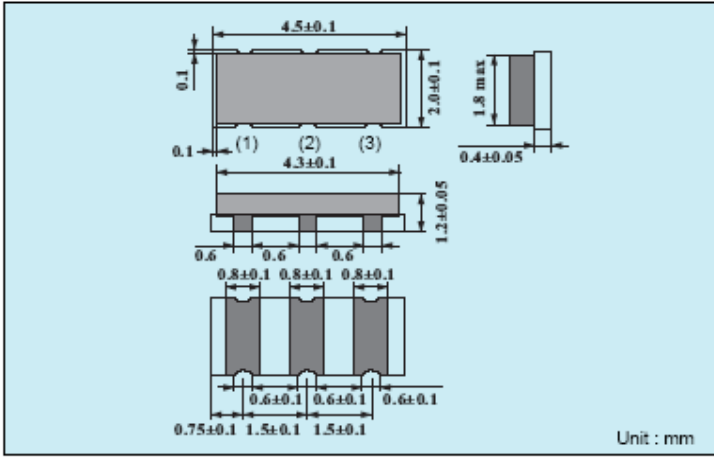
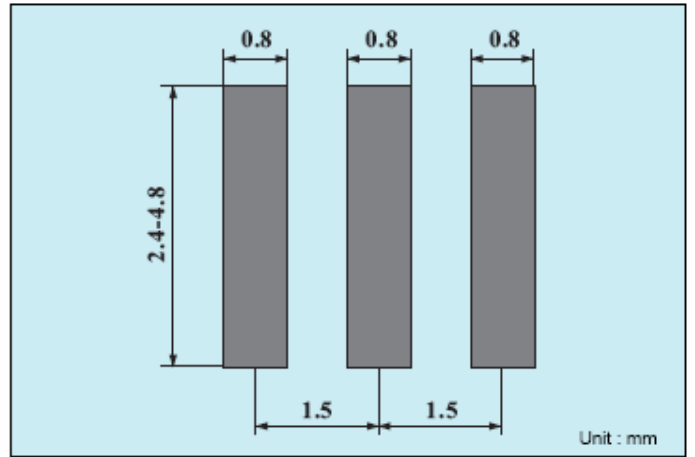


● DIMENSIONS



● RECOMMENDED LAND PATTERN



● TECHNICAL CHARACTERISTICS

Part Number	Frequency Range (MHz)	Frequency Accuracy (25°C)	Stability in Temperature (-20°C ~ +80°C)	Operation Temperature (°C)	Aging For Ten Years
ZTTCR □.□□ MG	4.00~8.00	±0.5%	±0.3%	-20°C ~ +80°C	±0.3%