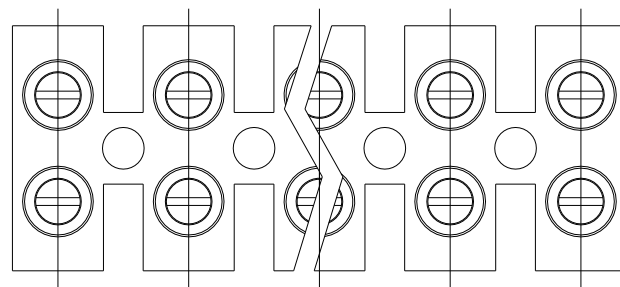
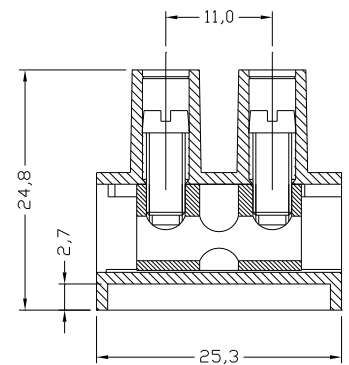
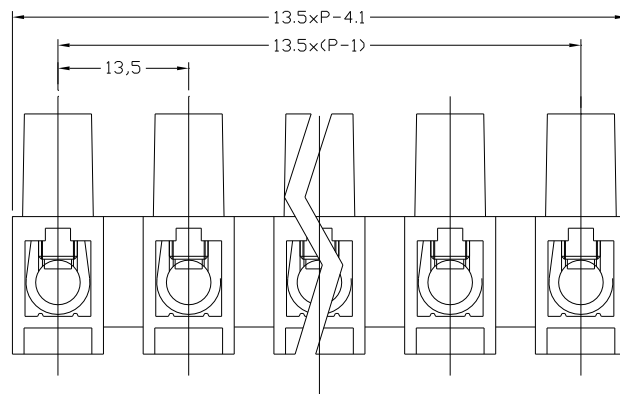


序号/RevNo.	名称/Title	文件编号/File No.
-----------	----------	---------------



300V 48A 10mm²

Poles: Any poles(2-12P)

Pitch: 13.5mm

Materials

Housing: Polyamide 6.6

Screw: M4,Steel,Zinc plated

Terminal block: Brass,Nickel plated

设计/Designed by	绘图/Drawing by	审核/Checked by	批准/Approved by	未注公差 General Tolerance	
				X. ±0.2	X.' ±2'
				.X ±0.1	.X' ±1'
				.XX ±0.05	.XX' ±0.5'
				.XXX ±0.01	.XXX' ±0.01'
				图名/Title	
				文件编号/File No.	
				XY803产品图	
				页序/Sheet	
				备注/Remark	
				单位/Units: mm	

序号/RevNo.	更改记录/Revision note	签名/Signature	日期/Date
-----------	--------------------	--------------	---------