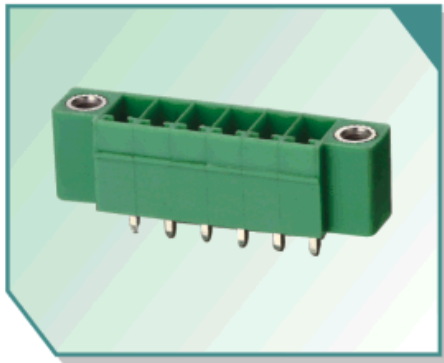


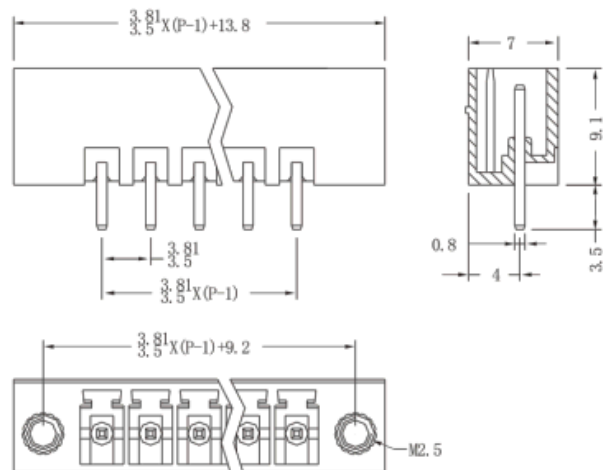
# XY2500V-ES(3.81)      XY2500V-FS(3.5)

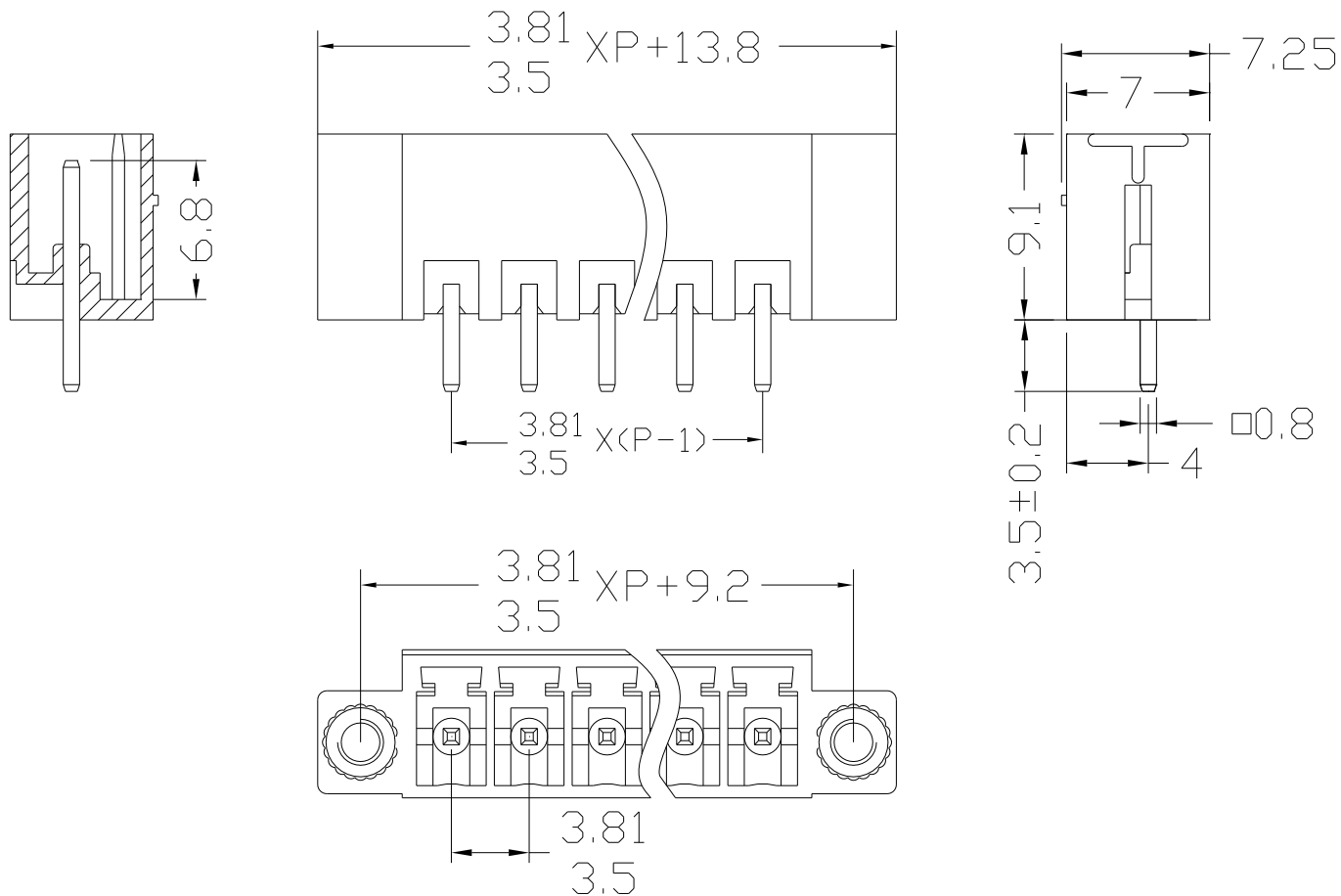
Poles: Any poles(2-14P)  
Pitch: 3.81mm    3.5mm



Voltage Rating: 125V  
Current Rating: 8A  
Housing: PA66(UL 94V-0)  
Solder Pin: Brass, Tin Plated

额定电压: 125V  
额定电流: 8A  
塑件: 尼龙66 (UL 94V-0)  
触点材料: 黄铜, 镀锡





125V 8A

Poles: 2P/3P/4P/5P/6P/7P  
 8P/9P/10P/11P/12P/  
 13P/14P/15P/16P  
 Pitch: 3.81mm 3.5mm  
 Pin Dimension: 0.8X0.8mm

Materials

Housing: Polyamide 6.6, Green  
 Solder Pin: Brass, 0.8t, Tin Plated.

设计/Designed by	绘图/Drawing by	审核/Checked by	批准/Approved by	未注公差 General Tolerance	
				x. ±0.2	x." ±2°
 新亚联合科技 XINYA UNITED TECH CO.,LTD.		图名/Title	文件编号/File No.	.x ±0.1	.x" ±1°
		XY2500V-ES XY2500V-FS 产品图	页序/Sheet	.xx ±0.05	.xx" ±0.5°
备注/Remark				.xxx ±0.01	
				单位/Units: mm	