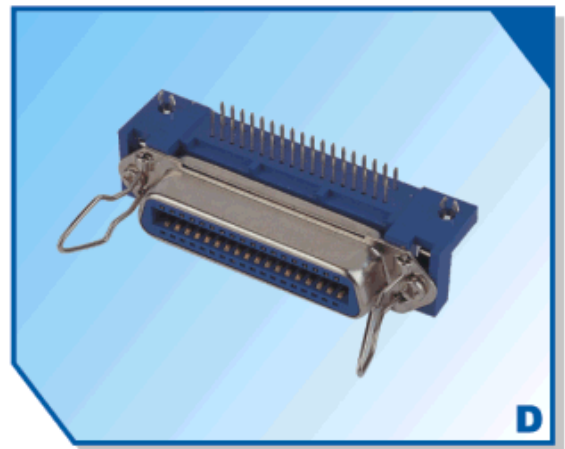
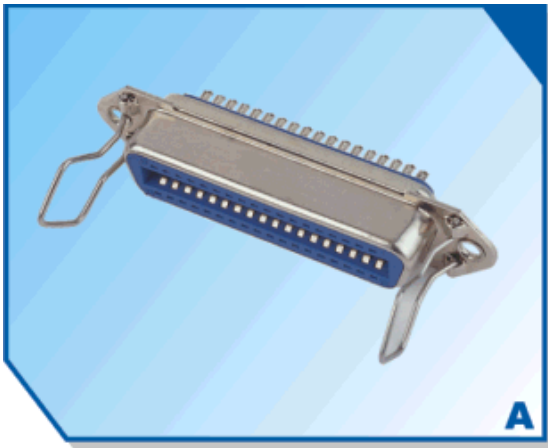


## D-SUB Series >> 150



### FEATURES

- Standard contact terminations accommodate up to 20AWG standard Wire
- The keystone shape of the shell assures proper polarization
- Coupling is accomplished by contact friction although standard locking accessories may be used
- With standard nylon insulators, operating temperatures range from -65° F to +250° F (-55° C to +120° C) the limiting factor is the insulator material
- With standard gold plated contacts

150A	150B	150C	150D
10360			
10500			
		20360	
		20500	
	30360		
	30500		
40360			40360
40500			40500

### Material

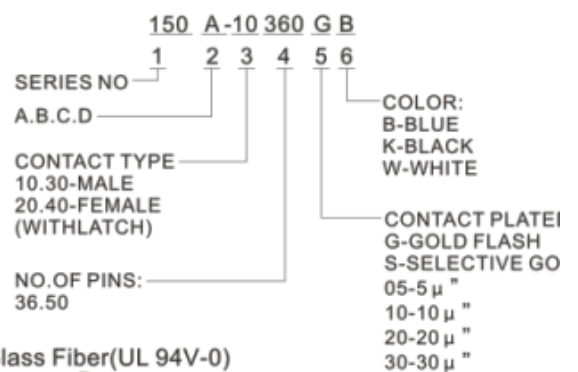
Insulator: PBT&30% Glass Fiber(UL 94V-0)  
 Contact: Phosphor Bronze or Brass  
 Contact Plated: Gold Over Nickel  
 Shell: Steel  
 Zinc Plated or Tin Plated

### Specification

Current Rating: 5AMP  
 Dielectric Strength: 1000V For 1minute  
 Insulator Resistance: 1000M $\Omega$  min.at DC500V  
 Temperature: -55° C--+105° C

## 150 series CENTRONIC CONNECTORS

### How To Order

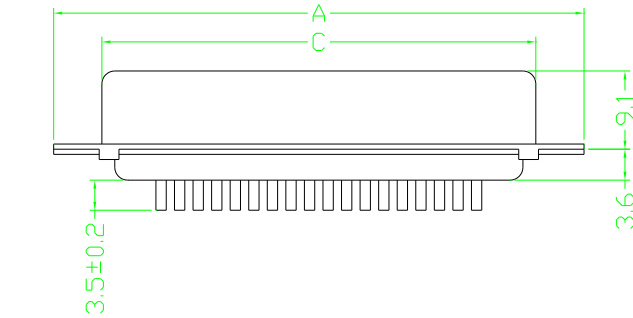
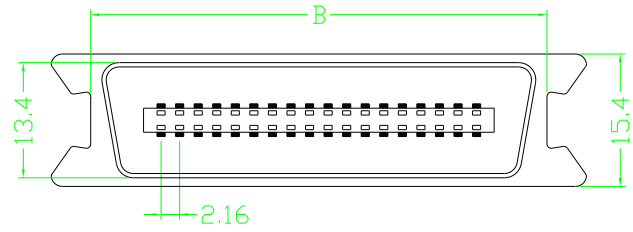


**SPECIFICATION**

Current Rating: 5AMP  
 Dielectric Strength: 1000V For 1minute  
 Insulator Resistance: 1000MΩ min.at DC500V  
 Temperature: -55℃~+105℃

**MATERIAL**

Insulator: PBT+30% Glass Fiber(UL 94V-0)  
 Contact: Phosphor Bronze or Brass  
 Contact Plated: Gold Over Nickel  
 Shell: Steel (Zinc Plated or Tin Plated)



Shell Size	A	B	C
150-10360	62.4	53.5	50.6
150-10500	77.5	68.4	65.7
150-40360	67.7	59.7	49
150-40500	82.8	74.8	64.1

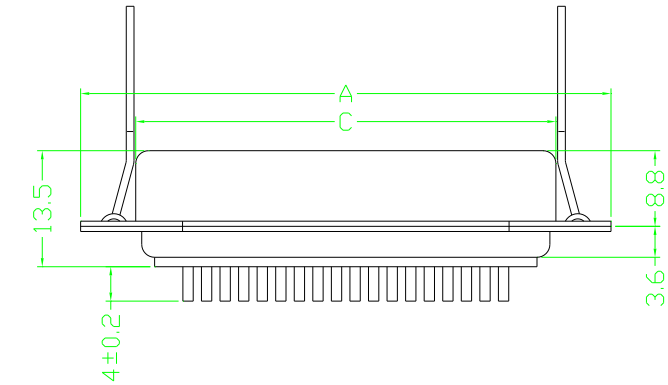
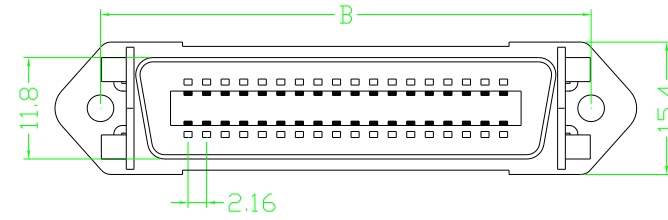
设计/Designed by	绘图/Drawing by	审核/Checked by	批准/Approved by	未注公差 General Tolerance
新亚联合科技 XINYA UNITED TECH CO.,LTD.	图名/Title	文件编号/File No.		x. ±0.2 x.' ±2'
	150-A(M)产品图	QJ/XYT-12112		.x ±0.1 .x' ±1'
	页序/Sheet			.xx ±0.05 .x' ±0.5'
备注/Remark			单位/Units: MM	.xxx ±0.01 .xx' ±0.1'

**SPECIFICATION**

Current Rating: 5AMP  
 Dielectric Strength: 1000V For 1minute  
 Insulator Resistance: 1000MΩ min.at DC500V  
 Temperature: -55℃~+105℃

**MATERIAL**

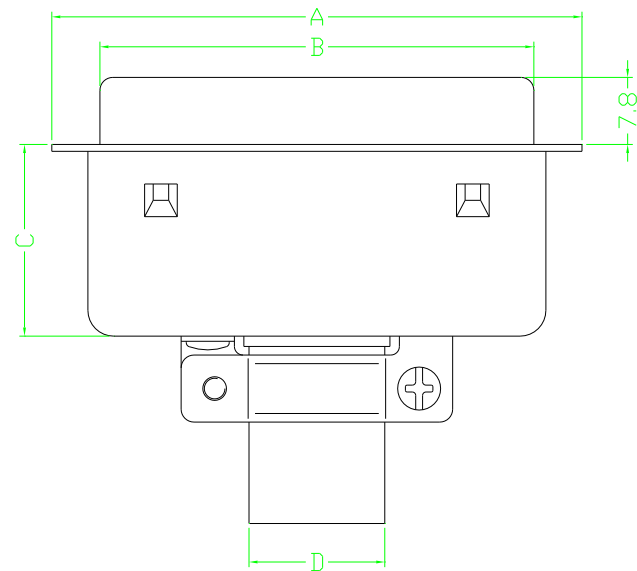
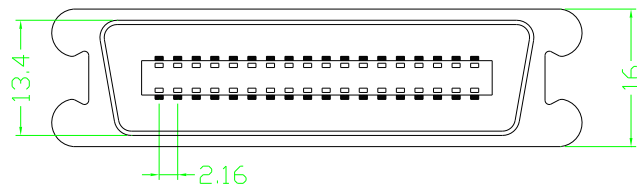
Insulator: PBT+30% Glass Fiber(UL 94V-0)  
 Contact: Phosphor Bronze or Brass  
 Contact Plated: Gold Over Nickel  
 Shell:Steel (Zinc Plated or Tin Plated)



Shell Size	A	B	C
150-10360	62.4	53.5	50.6
150-10500	77.5	68.4	65.7
150-40360	67.7	59.7	49
150-40500	82.8	74.8	64.1

设计/Designed by	绘图/Drawing by	审核/Checked by	批准/Approved by	未注公差 General Tolerance
新亚联合科技 XINYA UNITED TECH CO.,LTD.	图名/Title	文件编号/File No.		x. ±0.2 x.' ±2'
	150-A(F)产品图	QJ/XYT-12113		.x ±0.1 .x' ±1'
	页序/Sheet			.xx ±0.05 .x' ±0.5'
备注/Remark			单位/Units: MM	.xxx ±0.01 .xx' ±0.1'

1	150-B端子	QJ/XYT-11191-11192
2	150-B塑料件	QJ/XYT-11193-11194
3	150-B下铁壳	QJ/XYT-11195
4	150-B上铁壳	QJ/XYT-11196



**SPECIFICATION**

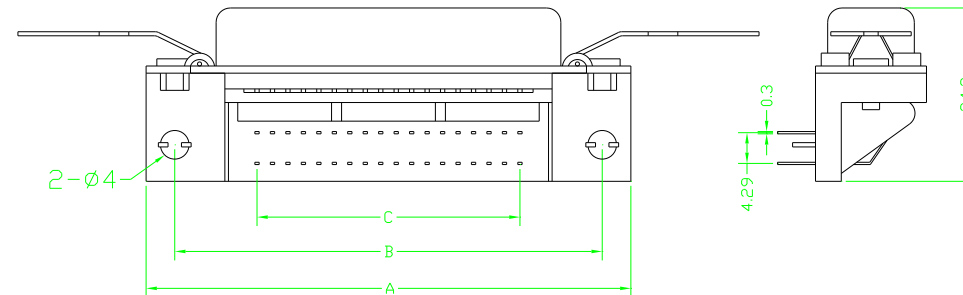
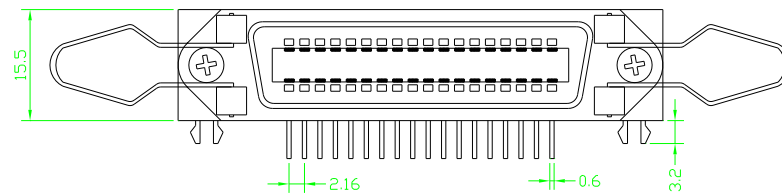
Current Rating: 5AMP  
 Dielectric Strength: 1000V For 1minute  
 Insulator Resistance: 1000MΩ min.at DC500V  
 Temperature: -55℃~+105℃

**MATERIAL**

Insulator: PBT+30% Glass Fiber(UL 94V-0)  
 Contact: Phosphor Bronze or Brass  
 Contact Plated: Gold Over Nickel  
 Shell:Steel (Zinc Plated or Tin Plated)

Shell Size	A	B	C	D
150-30360	61.7	50.5	22.3	15.8X11.8
150-30500	76.82	65.62	25.4	19X11.8

设计/Designed by	绘图/Drawing by	审核/Checked by	批准/Approved by	未注公差 General Tolerance
新亚联合科技 XINYA UNITED TECH CO.,LTD.	图名/Title	文件编号/File No.		x. ±0.2 x.' ±2'
	150-B产品图	QJ/XYT-12114		.x ±0.1 .x' ±1'
	页序/Sheet			.xx ±0.05 .x' ±0.5'
备注/Remark			单位/Units: MM	.xxx ±0.01 .xx' ±0.1'



**SPECIFICATION**

Current Rating: 5AMP  
 Dielectric Strength: 1000V For 1minute  
 Insulator Resistance: 1000MΩ min.at DC500V  
 Temperature: -55℃~+105℃

**MATERIAL**

Insulator: PBT+30% Glass Fiber(UL 94V-0)  
 Contact: Phosphor Bronze or Brass  
 Contact Plated: Gold Over Nickel  
 Shell:Steel  
 Zinc Plated or Tin Plated

Shell Size	A	B	C
150-40360	67.7	59.7	36.72
150-40500	82.8	74.9	51.84

设计/Designed by	绘图/Drawing by	审核/Checked by	批准/Approved by	未注公差 General Tolerance
新亚联合科技 XINYA UNITED TECH CO.,LTD.	图名/Title	文件编号/File No.		x. ±0.2 x.' ±2'
	150-D产品图	QJ/XYT-12115		.x ±0.1 .x' ±1'
	页序/Sheet			.xx ±0.05 .x' ±0.5'
备注/Remark			单位/Units: MM	.xxx ±0.01 .xx' ±0.1'