



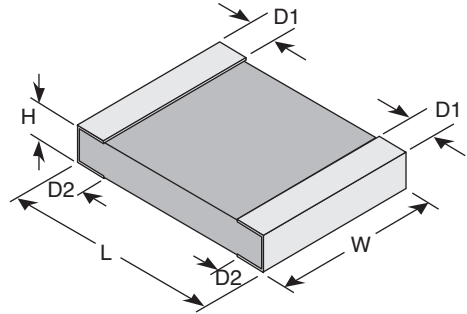
# .1% Thin Film Chip Resistors (RoHS Compliant)

# 288-0603 & 288-0805 Series

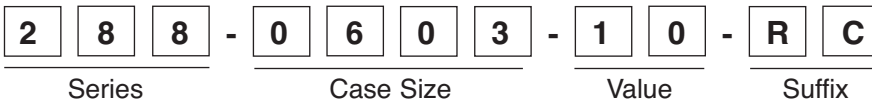
DIMENSIONS (mm)

## ELECTRICAL SPECIFICATIONS

- Package Type: 0603 & 0805
- Power Rating (Watts) 1/16W (0603) & 1/10W (0805)
- Resistance Temperature Coefficient:  $\pm 10 \text{ppm}/^\circ\text{C}$
- Operating Temperature Range:  $-55^\circ\text{C}$  to  $+155^\circ\text{C}$
- Ohmic Range: 100 $\Omega$ -100K
- Tolerance:  $\pm 0.1\%$
- Passivated coating for humidity performance

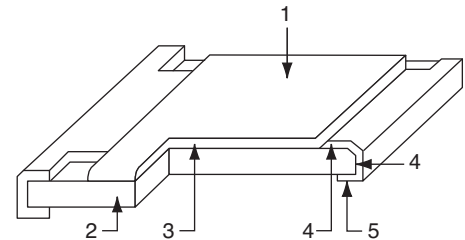


## PART NUMBERING SYSTEM



## CONSTRUCTION

No.	Part Name
1	Protective coating: Epoxy
2	High purity alumina substrate
3	Resistive element: metal film
4	Termination (Inner): Ag/Pd
5	Termination (Between): Ni plating film
6	Termination (Outer): Sn plating film



## SERIES, SIZE, WATTAGE, VOLTAGE, AND DIMENSIONS

Series	Case Size	Power Rating (watts)@70°C	Voltage(max.)		Dimensions (mm)				
			W.V.	O.V.	L	W	H	D1	D2
<b>288-0603-VALUE-RC</b>	0603	1/16W	50	100	1.60 $\pm$ .10	0.80 $\pm$ .15	0.45 $\pm$ .10	.03 $\pm$ .20	.03 $\pm$ .20
<b>288-0805-VALUE-RC</b>	0805	1/10W	100	200	2.00 $\pm$ .15	1.25 $\pm$ .15	0.55 $\pm$ .10	.04 $\pm$ .20	.04 $\pm$ .20

## STANDARD STOCKED VALUES ( $\Omega$ )

100	187	357	825	1.33K	2.1K	3.83K	5.62K	7.68K	12.4K	21K	35.7K	68.1K
105	200	365	845	1.5K	2.21K	3.92K	5.9K	7.87K	13K	24.3K	38.3K	75K
121	215	402	887	1.54K	2.49K	4.02K	6.04K	8.25K	13.3K	24.9K	39.2K	78.7K
124	243	499	931	1.62K	2.61K	4.12K	6.34K	9.09K	15K	30.1K	40.2K	100K
130	249	511	1.0K	1.65K	3.16K	4.22K	6.65K	10K	16.5K	30.9K	46.4K	
150	267	590	1.02K	1.78K	3.24K	4.53K	6.81K	10.2K	18.7K	32.4K	49.9K	
165	301	634	1.1K	2.0K	3.32K	4.75K	6.98K	11.5K	19.1K	33.2K	56.2K	
174	340	732	1.24K	2.05K	3.57K	4.99K	7.5K	12.1K	20K	34.8K	66.5K	

## NOTE

- RoHS Compliant by Exemption

Specifications are subject to change without notice. No liability or warranty implied by this information. Environmental compliance based on producer documentation.

