

Rectifier Diode

W2958NC280 to W2958NC350

The data sheet on the subsequent pages of this document is a scanned copy of existing data for this product.
(Rating Report 94DR01 Issue 2)

This data reflects the old part number for this product which is: SW24-32CXC12C. This part number must **NOT** be used for ordering purposes – please use the ordering particulars detailed below.

The limitations of this data are as follows:
No reverse recovery information available
Device no longer available for grades 24 & 26 (2400V & 2600V V_{RRM})

Please use the following link to view an up to date outline drawing for this device
[Outline W5](#)

Where any information on the product matrix page differs from that in the following data, the product matrix must be considered correct

An electronic data sheet for this product is presently in preparation.

For further information on this product, please contact your local ASM or distributor.

Alternatively, please contact Westcode as detailed below.

Ordering Particulars			
W2958	NC	◆◆	0
Fixed Type Code	Fixed Outline Code	Voltage code $V_{RRM}/100$ 28-35	Fixed Code
Typical Order Code: W2958NC300, 26.6mm clamp height, 3000V V_{RRM}			

<p>IXYS Semiconductor GmbH Edisonstraße 15 D-68623 Lampertheim Tel: +49 6206 503-0 Fax: +49 6206 503-627 E-mail: marcom@ixys.de</p>	 <p>An  IXYS Company</p> <p>www.westcode.com</p> <p>www.ixys.com</p>	<p>Westcode Semiconductors Ltd Langley Park Way, Langley Park, Chippenham, Wiltshire, SN15 1GE. Tel: +44 (0)1249 444524 Fax: +44 (0)1249 659448 E-mail: WSL.sales@westcode.com</p> <p>Westcode Semiconductors Inc 3270 Cherry Avenue Long Beach CA 90807 USA Tel: +1 (562) 595 6971 Fax: +1 (562) 595 8182 E-mail: WSI.sales@westcode.com</p>
--	---	---

The information contained herein is confidential and is protected by Copyright. The information may not be used or disclosed except with the written permission of and in the manner permitted by the proprietors Westcode Semiconductors Ltd. © Westcode Semiconductors Ltd.

In the interest of product improvement, Westcode reserves the right to change specifications at any time without prior notice.

Devices with a suffix code (2-letter, 3-letter or letter/digit/letter combination) added to their generic code are not necessarily subject to the conditions and limits contained in this report.

QUALITY AND EVALUATION LABORATORY

Rating Report No: 94DR01 Issue 2

Date: 22nd September, 1995

Origin: Q.E.L. PAR94042

Pages: 14

Diode Capsule Type : SW24-32CXC12CWritten by: *M Baker*Checked: *M Shorb*Approved: *B. J. H. 24*

This diode consists of a diffused 53 mm diameter silicon slice, reference DPLXC, mounted in a cold weld capsule.

This issue supersedes Rating Report 94DR01 Issue 1 dated 31st August, 1994.

Ratings

Voltage Grades) A blocking voltage derating factor	: 24 - 32
) of 0.13% per deg. Celsius is applicable	
V_{RSM}) to this device for T_J below 25°C	: 2500 - 3300 V
V_{RRM})	: 2400 - 3200 V
$I_F (AV)$: Single phase: 50 Hz, 180° half sinewave;	
Double Side Cooled $T_{HS} = 55^\circ C, 100^\circ C$: 2960 A, 2190A
Single Side Cooled $T_{HS} = 100^\circ C$: 1370A
$I_{F(rms)}$ $T_{HS} = 25^\circ C$)	: 5340 A
) Double side cooled	
I_F $T_{HS} = 25^\circ C$)	: 4710 A
I_{FSM} : t = 10ms half sinewave; T_J (initial) = 175 °C $V_{RM} = 0.6V_{RRM(MAX)}$: 28 kA
I_{FSM} : t = 10ms half sinewave; T_J (initial) = 175 °C $V_{RM} \leq 10V$: 31 kA
$I^2 t$: t = 10ms; T_J (initial) = 175 °C; $V_{RM} = 0.6V_{RRM(MAX)}$: $3.92 \times 10^6 A^2 s$
$I^2 t$: t = 10ms; T_J (initial) = 175 °C; $V_{RM} \leq 10V$: $4.81 \times 10^6 A^2 s$
$I^2 t$: t = 3ms; T_J (initial) = 175 °C; $V_{RM} \leq 10V$: $3.55 \times 10^6 A^2 s$
T_{HS} : Operating Range	: -40 To +175 °C
T_{stg} : Non-operating	: -55 To +175 °C

-2-

Characteristics

(Maximum values unless otherwise stated)

V_o	:	0.807 V
r_s	:	0.167 m Ω
A : $T_J = 25^\circ\text{C}$:	0.959448
B : $T_J = 25^\circ\text{C}$:	-8.522406E-2
C : $T_J = 25^\circ\text{C}$:	-2.260943E-5
D : $T_J = 25^\circ\text{C}$:	2.010206E-2
A)	:	0.742850
B) $V_F = A + B.\ln(i_F) + C.i_F + D \sqrt{i_F}$:	-3.696154E-2
C)	:	6.675652E-5
D)	:	1.209331E-2
V_{FM} at $I_{FM} = 3800$ A	:	1.44 V
$R_{th(J-HS)}$ Double side cooled	:	0.02 K/W
Single side cooled	:	0.04 K/W
I_{RRM} : at $V_{RRM(MAX)}$:	60 mA
V_{fr} : at $dI/dt =$:	---
Reverse recovery at $I_{FM} =$ A; $t_p =$ μs $di_R/dt =$ A/ μs ; $V_{RM} =$ V	:	---
Q_{RR} (total area)	:	---
Q_{RA} (50% chord)	:	---
t_{tr} (50% chord)	:	---
I_{RM}	:	---
Mounting Force	:	19 - 26 kN (1900 - 2600 kg.f)
Outline Drawing	:	100A249
JEDEC Outline No.	:	---

NOTE: All characteristics are at $T_{VJ} = T_{Jmax}$ operating unless stated otherwise.

<u>CONTENTS</u>	<u>Page</u>
Ratings	1
Characteristics	2
Contents	3
Voltage Ratings	4
Computer Modelling Parameters	5 - 8
Dissipation and Heatsink Temperature vs Mean Current	9 & 10
Limit Forward Voltage Characteristic	11
Transient Thermal Impedance Characteristic	12
Surge Current and I^2t vs Duration of Surge	13
Outline Drawing	14

Changes to 94DR01 Issue 1

Page 1	$I_{F(AV)}$, $I_{F(rms)}$, $I_{F(dc)}$
Page 2	V_o , r_s , ABCD co-efficients, V_t
Page 3	Contents changed, modification list added.
Pages 5-8	New pages of computer modeling data added.
Page 9-13	Rating graphs redrawn.

Voltage Ratings

Voltage Class	V_{RRM} V	V_{RSM} V
24	2400	2500
26	2600	2700
28	2800	2900
30	3000	3100
32	3200	3300

1. This Report is applicable to higher or lower voltage grades when supply has been agreed by Sales/Production.
2. A blocking voltage derating factor of 0.13% per deg. Celsius is applicable to this device for T_J below 25°C.

Computer Modelling Parameters

1. Device Dissipation Calculations

$$I_{AV} = \frac{-V_o + \sqrt{V_o^2 - 4*ff^2*r_s*(-W_{AV})}}{2*ff^2*r_s}$$

Where $V_o = 0.807$ V, $r_s = 0.167$ m Ω

$$W_{AV} = \frac{\Delta T}{R_{th}}, \quad \Delta T = t_{JMax} - t_{HS}$$

R_{th} = Supplementary thermal impedance, see table below.

ff = Form factor, see table below.

Supplementary Thermal Impedance						
Conduction Angle	30°	60°	90°	120°	180°	d.c.
Squarewave Double Side Cooled	0.0228	0.0224	0.0220	0.0217	0.0211	0.0200
Squarewave Single Side Cooled	0.0453	0.0444	0.0437	0.0431	0.0422	0.0400
Sinewave Double Side Cooled	0.0224	0.0219	0.0216	0.0213	0.0200	
Sinewave Single Side Cooled	0.0432	0.0426	0.0422	0.0419	0.0400	

Form Factors						
Conduction Angle	30°	60°	90°	120°	180°	d.c.
Squarewave	3.46	2.45	2	1.73	1.41	1
Sinewave	3.98	2.78	2.22	1.88	1.57	

2. Calculating V_f using ABCD Coefficients

The on-state characteristic I_f vs V_f on page 11 is represented in two ways; (i) the well established V_o and r_s tangent used for rating purposes and (ii) a set of constants A, B, C, D, forming the co-efficients of the representative equation for V_f in terms of i_f given below:

$$V_f = A + B * \ln(I_f) + C * (I_f) + D * \sqrt{I_f}$$

The constants, derived by curve fitting software, are given in this report for both hot and cold characteristics where possible. The resulting values for V_f agree with the true device characteristic over a current range which is limited to that plotted.

125°C Coefficients		25°C Coefficients	
A	0.74285	A	0.959448
B	-3.696154E-2	B	-8.522406E-2
C	6.675652E-5	C	-2.260943E-5
D	1.209331E-2	D	2.010206E-2

3. Thermal Impedance Calculation

$$r_t = \sum_{p=1}^{p=n} r_p (1 - e^{-\frac{t}{\tau_p}})$$

Where $p = 1$ to n , n is the number of terms in the series.

t = Duration of heating pulse in seconds.

r_t = Thermal resistance at time t .

r_p = Amplitude of p th term.

τ_p = Time Constant of p th term.

D.C. Double Side Cooled				
Term	1	2	3	
r_p	1.224814E-2	5.527518E-3	2.061607E-3	
τ_p	1.022926E+0	1.277288E-1	9.696797E-3	
D.C. Single Side Cooled				
Term	1	2	3	4
r_p	2.842996E-2	6.635481E-3	4.088585E-3	1.378510E-3
τ_p	5.481154E+0	4.738482E-1	7.379005E-2	6.966137E-3

4. Recovery Parameter Estimation

Typical peak recovery current

May be calculated, using the expression;

$$I_{RM} = k * (di_R/dt)^i$$

Where I_{RM} = peak recovery current, k and i are constants see table.

di_R/dt should be in the normal operating range of the device (5 - 100 A/ μ s).

I_{TM} (A)	k	i
200	51.2585	0.517264
400	58.8562	0.518194
700	63.9606	0.518034
1000	68.1566	0.514907

Typical recovered charge and recovery time may be calculated, using the polynomial expression;

$$y = \sum_{p=0}^{n-1} k_p (di_R/dt)^p$$

Where y = recovery parameter,

k_p = coefficient found in the table below,

n = number of terms in the series,

p = term number

Total Recovered Charge

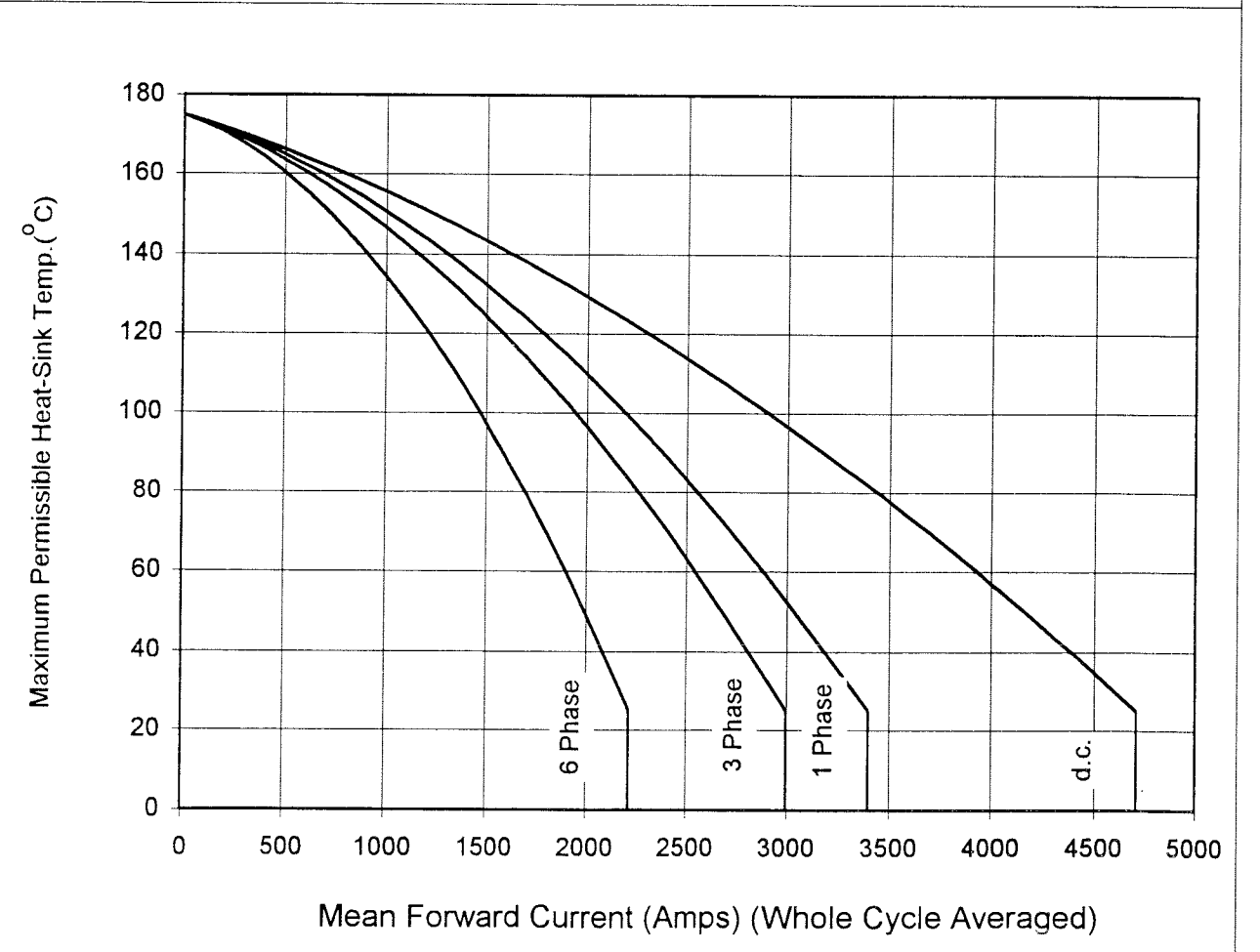
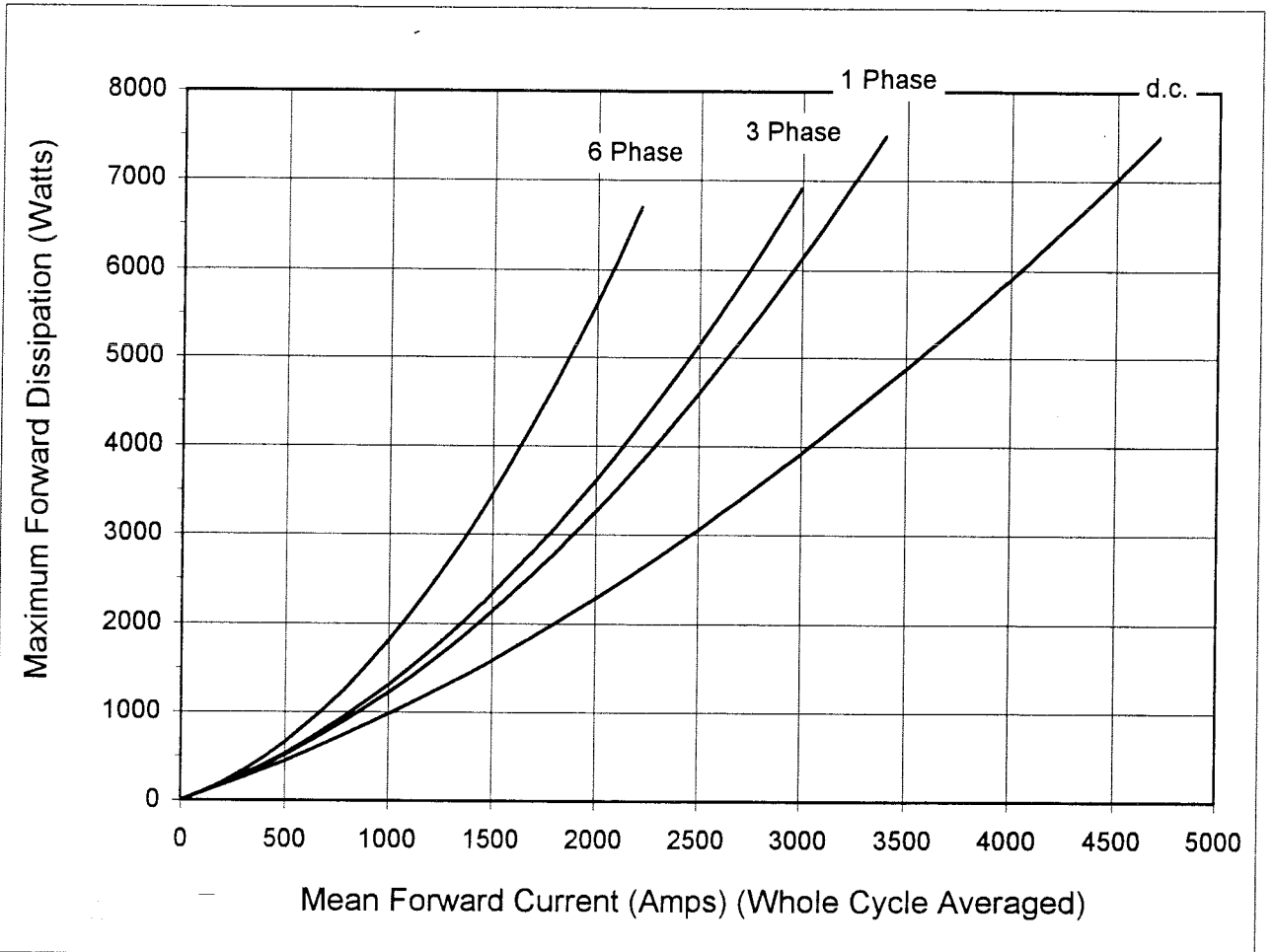
Values of k_p for I_{FM}				
p	200 A	400 A	700 A	1000 A
5	1.579247E-5	1.577448E-5	1.670940E-5	1.146349E-5
4	-4.072192E-3	-4.138064E-3	-4.406054E-3	-3.138094E-3
3	3.835333E-1	4.021875E-1	4.268419E-1	3.194691E-1
2	-1.643314E+1	-1.829472E+1	-1.914125E+1	-1.539102E+1
1	3.347082E+2	4.194912E+2	4.443590E+2	4.046201E+2
0	2.421842E+3	2.272175E+3	2.356083E+3	2.473667E+3

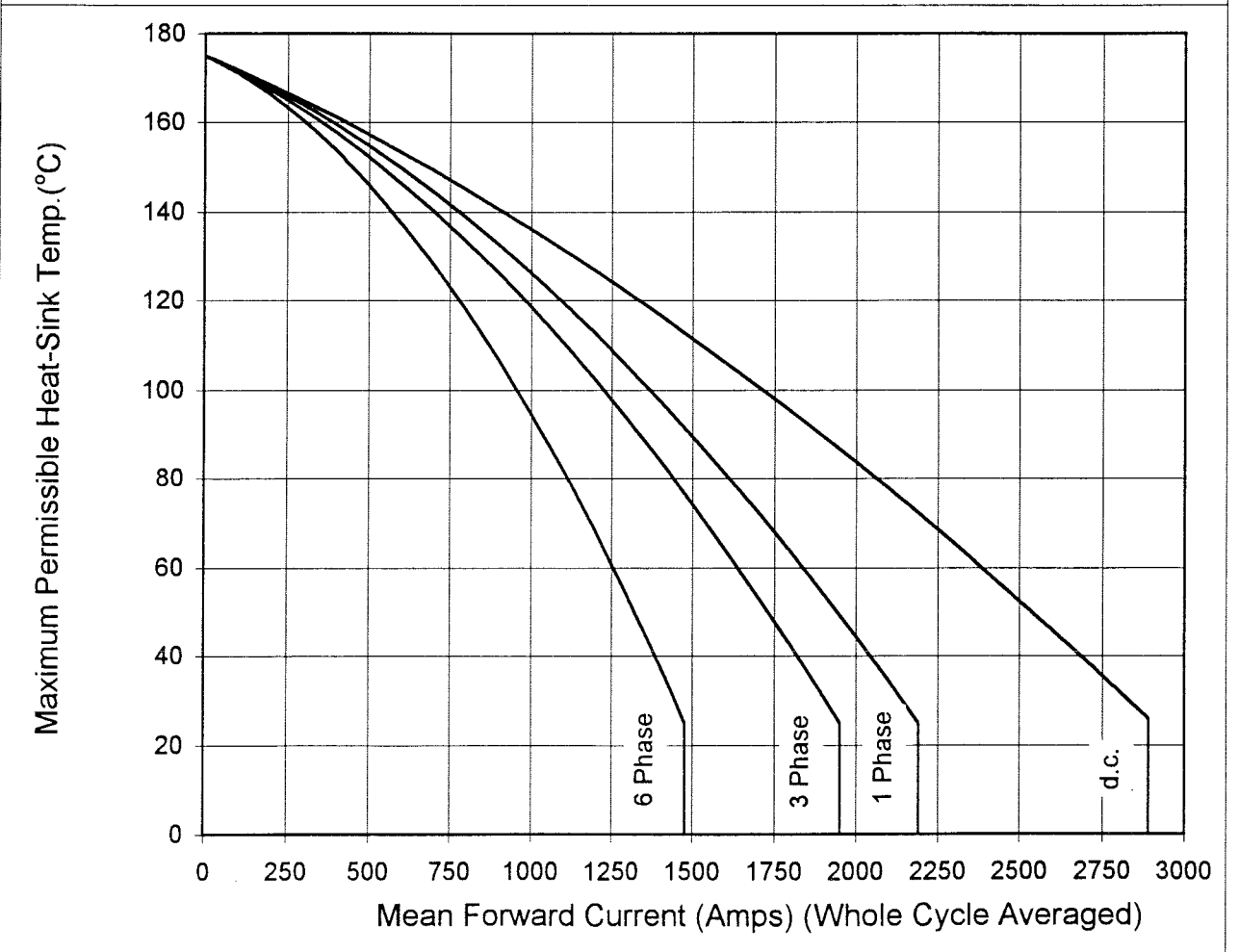
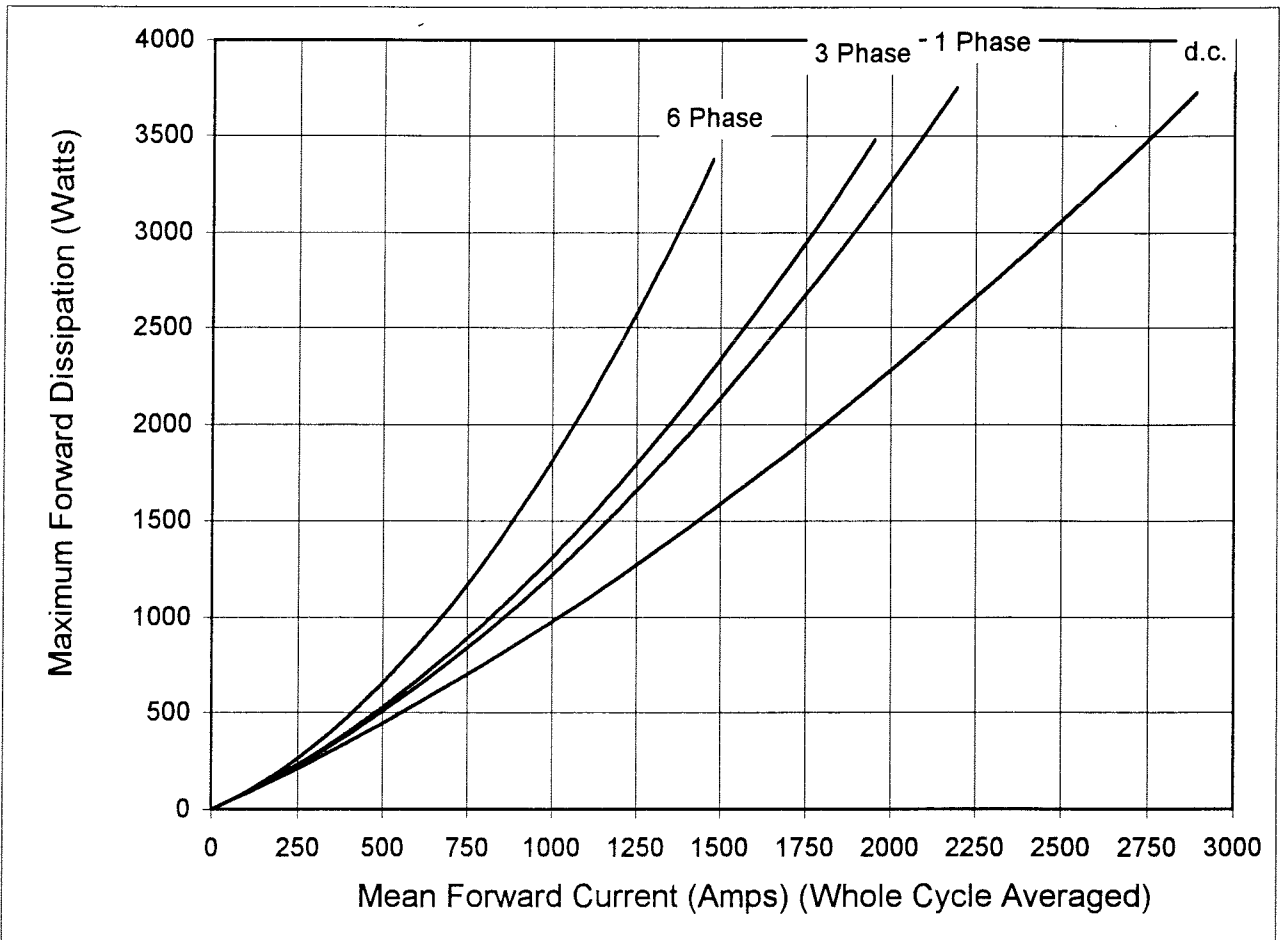
Q_{RA} Recovered charge at 50 % chord

Values of k_p for I_{FM}				
p	200 A	400 A	700 A	1000 A
5	9.41521E-6	9.69561E-6	1.14335E-5	1.03261E-5
4	-2.36676E-3	-2.52020E-3	-2.95282E-3	-2.66765E-3
3	2.14404E-1	2.40823E-1	2.79800E-1	2.53273E-1
2	-8.54896E+0	-1.05448E+1	-1.21642E+1	-1.11304E+1
1	1.36969E+2	2.08566E+2	2.46812E+2	2.37435E+2
0	2.48353E+3	2.25223E+3	2.17688E+3	2.20106E+3

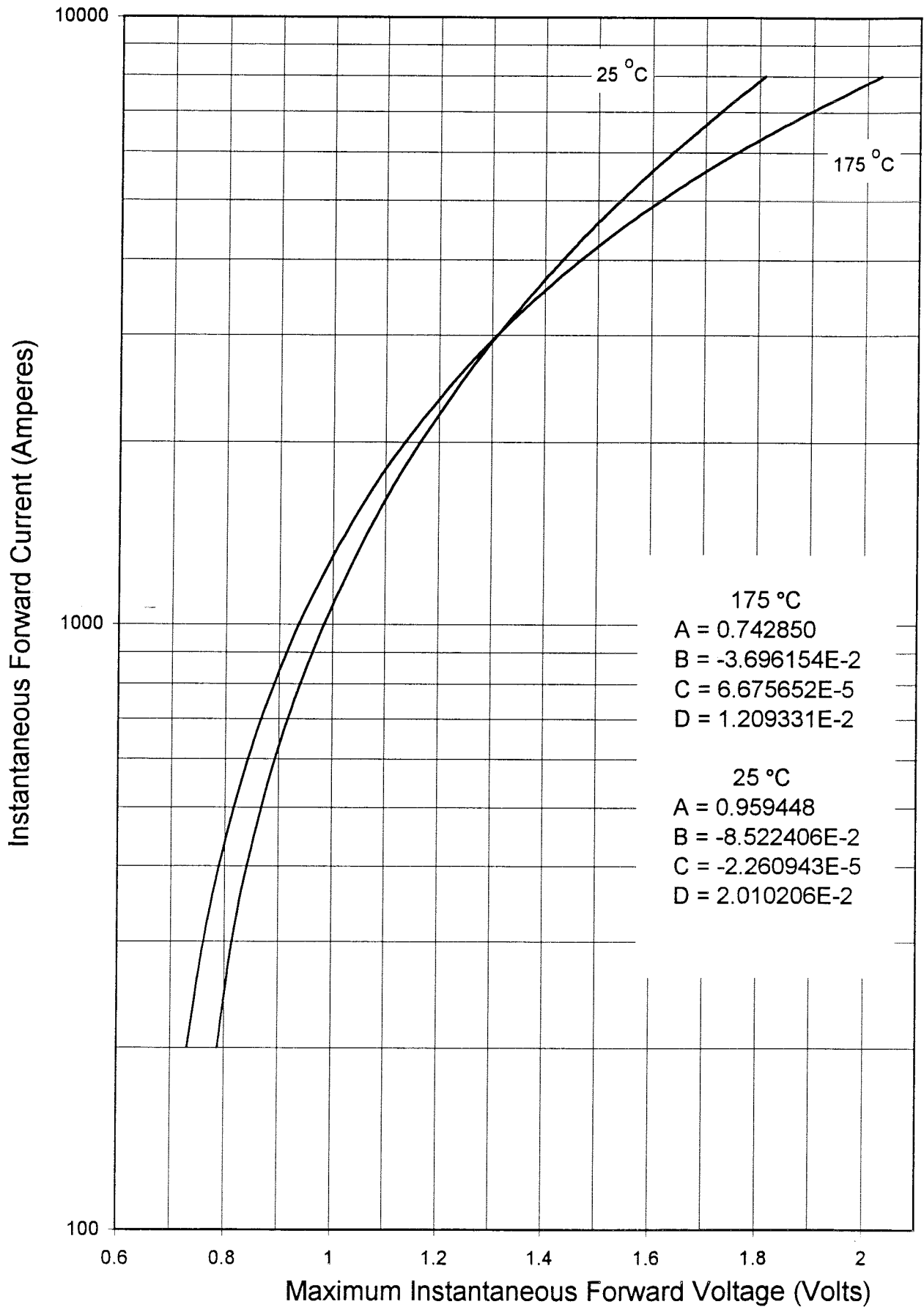
t_{rr} Recovery time

Values of k_p for I_{FM}				
p	200 A	400 A	700 A	1000 A
5	-3.15482E-7	-8.39966E-7	-8.31642E-7	-8.27357E-7
4	8.093534E-5	2.033969E-4	2.015142E-4	2.00624E-4
3	-7.560806E-3	-1.726540E-2	-1.712950E-2	-1.70702E-2
2	3.199223E-1	6.172576E-1	6.139875E-1	6.12608E-1
1	-6.421334+0	-9.18514+0	-9.153875E+0	-9.14198E+0
0	7.450412+1	8.201481E+1	8.193753E+1	8.19057E+1

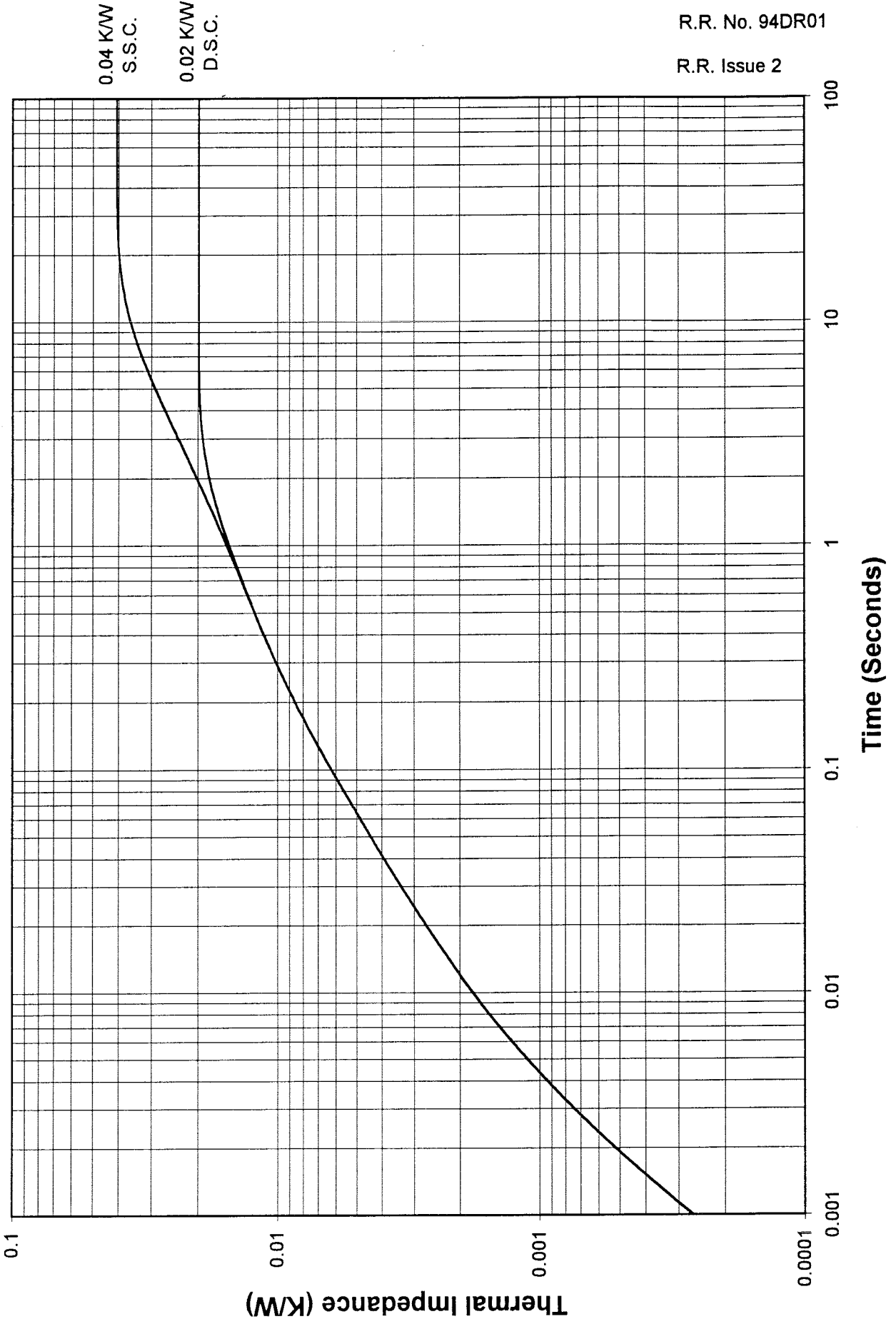




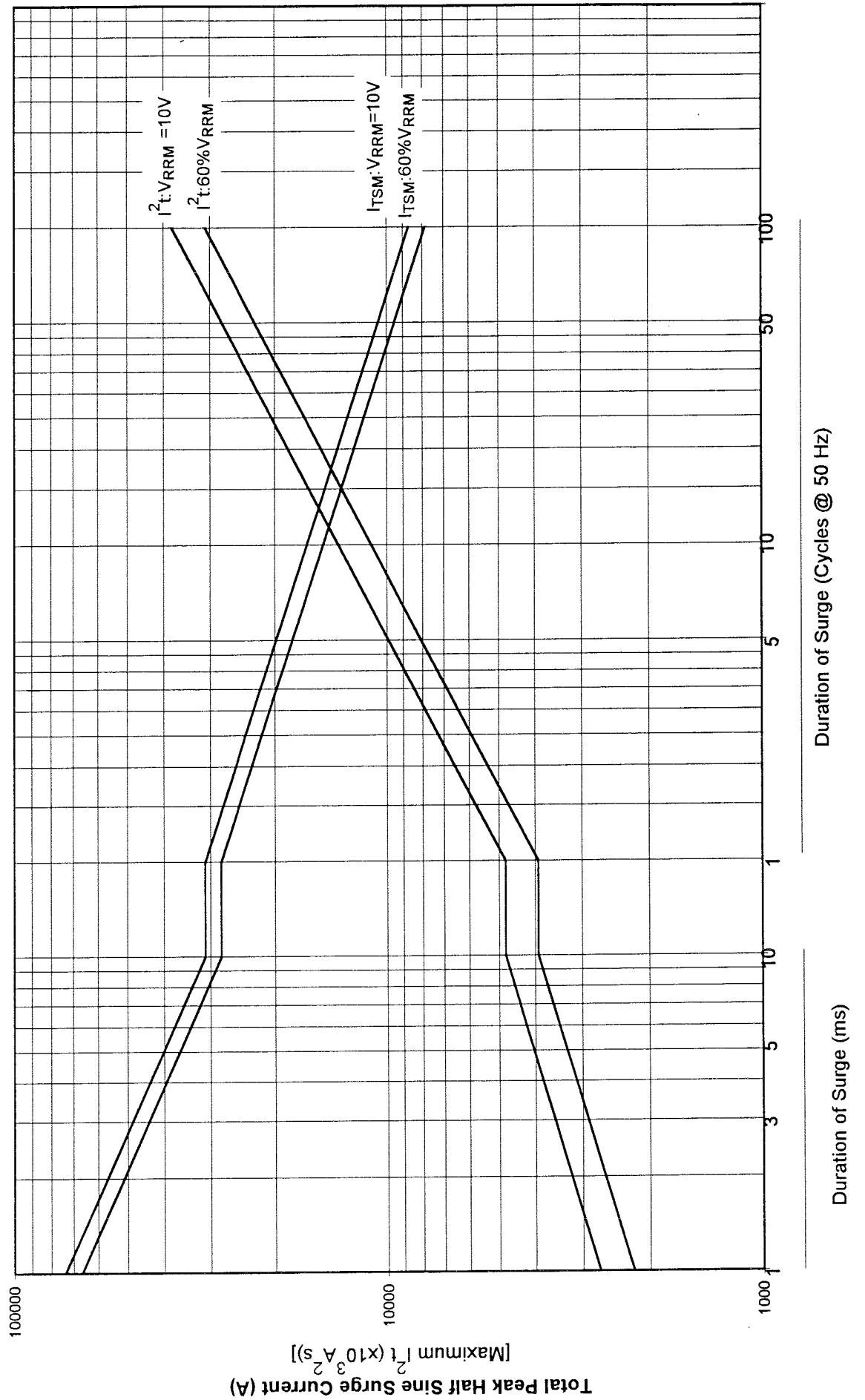
On-State Characteristic of Limit Device



Transient Thermal Impedance (Junction to Heat Sink)



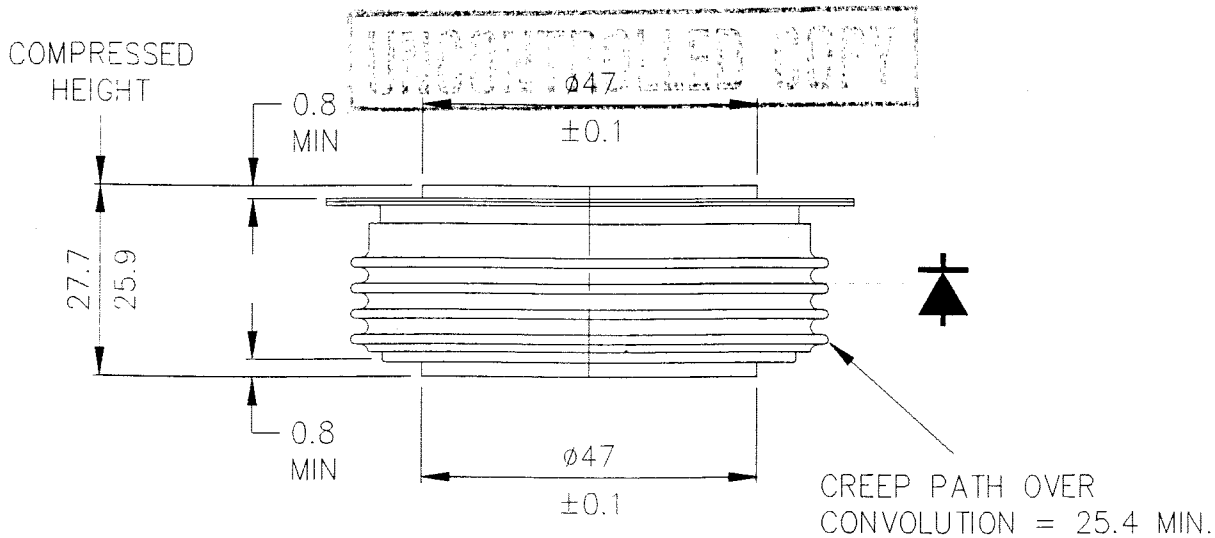
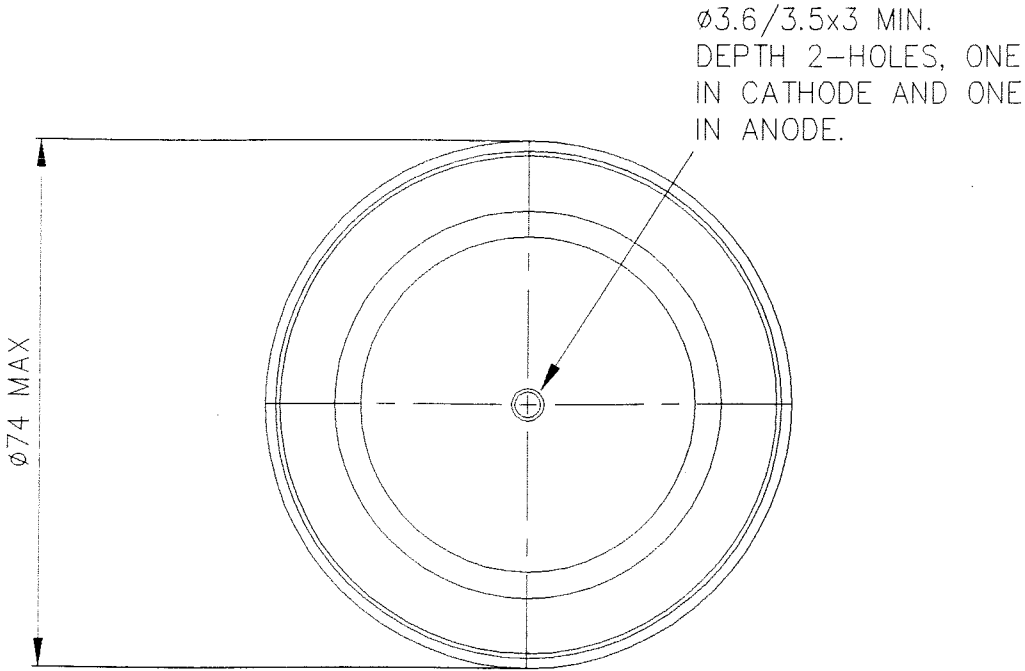
Maximum Non-Repetitive Surge Current
 @ Initial Junction Temperature 175 °C



INTERNATIONAL OUTLINE No. DO-200AC
 G.A. DWG No. 159B100H350-H359
 WEIGHT. 480 GRAMS
 FINISH. NICKEL PLATE
 DEVICE MOUNTING: CLAMPING FORCE TO BE APPLIED ON CENTRE LINE OF LOCATION HOLES AND BE EVENLY DISTRIBUTED OVER AREA OF CONTACT. FLAT TOL. ON SURFACES TO WHICH DEVICE IS CLAMPED TO BE 0.04 WIDE. CLAMPING FORCE = 1900-2600kgf. (19-26kN).

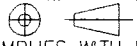
- 14 -

TYPE NUMBER	
CXC334	CXC680
CXC500	CXC815
CXC504	CXC818
CXC574	CXC820
CXC604	CXC824
CXC614	CXC915
CXC620	CXC930
CXC624	CXC924
	CXC950
	CXC990
	CXC1170
	CXC11C
	CXC12C
	CXC14C
	CXC19C



THE INFORMATION CONTAINED IN THIS DWG IS PROTECTED BY COPYRIGHT. THE INFORMATION MAY NOT BE DISCLOSED EXCEPT WITH THE WRITTEN PERMISSION OF WESTCODE SEMICONDUCTORS LIMITED.

SCALE 1/1	ISS	REVISIONS
	4	11-09-90 REDRAWN ON CAD HDN
	5A	TYPE No. S CXC504, 574, 604 & 614 ADDED. M1944
	6D	30.6.93. M2266. TYPE'S CXC334 & CXC344 ADDED. HN
	7D	26.8.93. M2313. CXC19C ADDED. HN
	8D	2.12.93. M2439. CXC915 ADDED. HN
	9D	10.1.94. M2408. CXC344 DELETED CLAMPING FORCE IN RN ADDED. HN
	10D	22.8.94. M2664. CXC12C ADDED. HN
	11D	1.12.94. M2748. CXC818 ADDED. RFCB
	12D	2.2.95. M2771. CXC1170 ADDED. HN

THIRD ANGLE PROJECTION.

 DWG. COMPLIES WITH BS 308.
 DIMNS. IN MILLIMETRES.
 DWG No. 100A249

WESTCODE SEMICONDUCTORS LTD.,
 P.O. BOX 57, CHIPPENHAM, WILTSHIRE, SN15 1JL, ENGLAND.
 TEL 0249 441000. TELEFAX 0249 441250/659448.