

MKP-AC-Filter Capacitors, Self-healing, Dry

PART NO. PhMKPg 690-1600uF
ART. NO. 44503

RATINGS

Capacitance/Tolerance	Cn	1600uF ± 5%
Rated power	Qn	404kvar
Rated voltage	Un	690Vrms

OVERVOLTAGES ACCORDING IEC 60831-1

1.1 x Un	U1	759V (12 Std/day)
1.15 x Un	U2	794V (30min/day)
1.2 x Un	U3	828V (5min/day)
1.3 x Un	U4	897V (1min/day)

Rated frequency	fn	50Hz
Rated current	In	350A
Peak current	Is	25kA
Capacitance terminal / casing		10nF
Self inductance	Ls	app. 0.5uH
Series resistance	RESR	< 2.0mΩ
Loss factor 50 Hz	tan	< 5 x 10 ⁻⁴
Dielectric loss factor 50 Hz	tan	< 2 x 10 ⁻⁴

ROUTINE TESTS

Test voltage terminal/terminal	Ut/	1484V, AC, 10s
Test voltage terminal/casing	UT/c	6000V, AC, 60s

Measurement of capacitance
 Measurement of loss factor

OPERATING TEMPERATURE

Minimum ambient temperature	Tmin	- 40°C
Maximum ambient temperature	Tmax	+ 60°C

STORAGE TEMPERATURE

Minimum temperature	Tmin	- 40°C
Maximum temperature	Tmax	+ 85°C

TECHNOLOGY

Dielectric	Polypropylene film, metallized, self-healing
Filling material	resin, polyurethane dry
Safety system	overpressure monitoring device

BUSHING

Type	D-197
Flash over distance	47mm
Creepage distance	90mm
Connection	M 12
Max. torque	20.0Nm

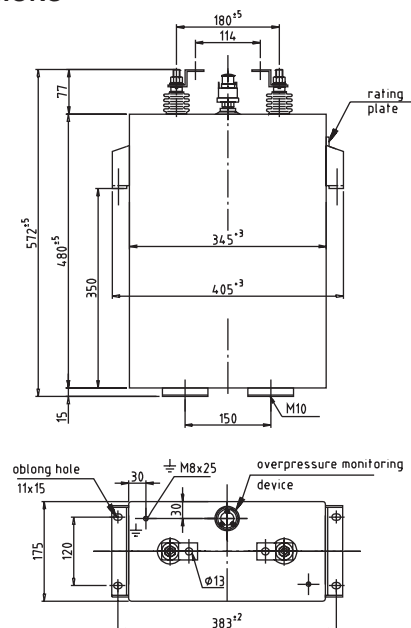
CASING

Dimensions	345*175*480mm
Drawing	07-B-556
Weight	38kg
Casing material	stainless steel, antimagnetic
Colour	RAL 7033
Mounting position	every position

LIFE TIME FAILURE RATE > 200000h at 60°C 300 FIT

RECOMMENDATION IEC 60831-1

DIMENSIONS





Disclaimer

All product specifications and data are subject to change without notice.

Vishay Intertechnology, Inc., its affiliates, agents, and employees, and all persons acting on its or their behalf (collectively, "Vishay"), disclaim any and all liability for any errors, inaccuracies or incompleteness contained herein or in any other disclosure relating to any product.

Vishay disclaims any and all liability arising out of the use or application of any product described herein or of any information provided herein to the maximum extent permitted by law. The product specifications do not expand or otherwise modify Vishay's terms and conditions of purchase, including but not limited to the warranty expressed therein, which apply to these products.

No license, express or implied, by estoppel or otherwise, to any intellectual property rights is granted by this document or by any conduct of Vishay.

The products shown herein are not designed for use in medical, life-saving, or life-sustaining applications unless otherwise expressly indicated. Customers using or selling Vishay products not expressly indicated for use in such applications do so entirely at their own risk and agree to fully indemnify Vishay for any damages arising or resulting from such use or sale. Please contact authorized Vishay personnel to obtain written terms and conditions regarding products designed for such applications.

Product names and markings noted herein may be trademarks of their respective owners.