

Medium Frequency Capacitors, Water Cooled

ESTafilm[®], TWIN OUTPUTS FOR EXTREME CURRENT LOADING, 1000 - 10000Hz

VERSION A

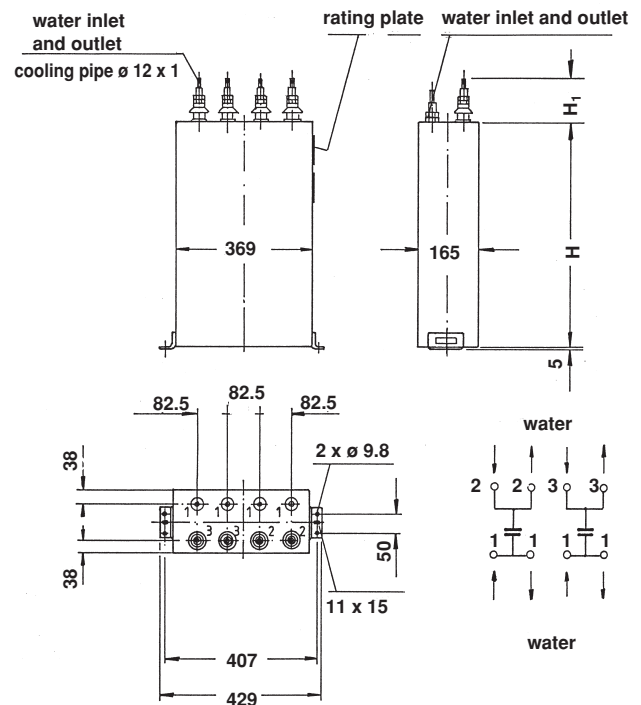
Total output subdivided in 2 sections of equal capacity

VERSION B

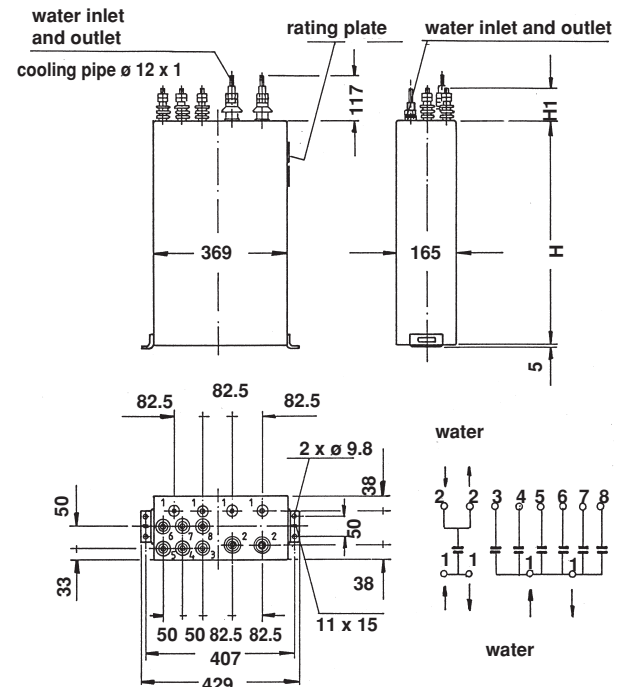
Total output subdivided in 2 sections of equal capacity, with one of the two sections subdivided in 6 equal-size partial outputs.

DESIGN

- All-film winding in brass sheet welded casing;
- Casing conductive;
- Casing varnish RAL 7033;
- IP00, indoor;
- Ambient temperature 1°C 50°C;
- Outflowing water temperature 40° C maximum;
- Water-cooled current connections M20;
- Water tubing conductive;
- Partial outputs of version B provided with connection bolts M12 or M20 (depending on application current);
- Mounting in the upright or horizontal position;
- Upon request, pressure monitoring;

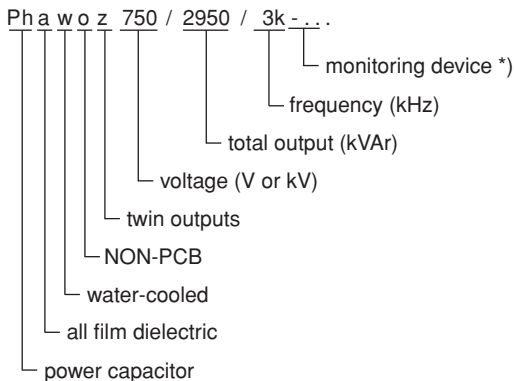


Version A

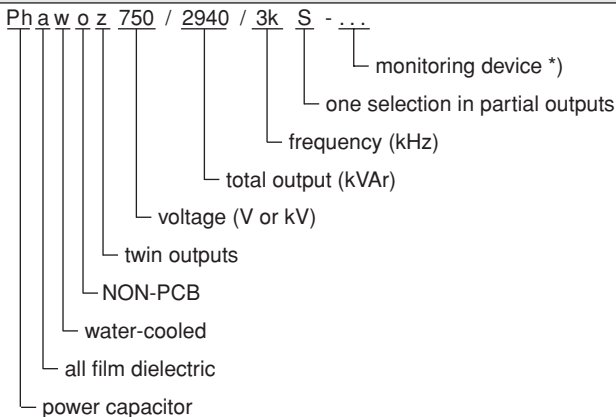


Version B

TYPE DESIGNATION: VERSION A



TYPE DESIGNATION: VERSION B



*) - DR = pressure switch

1000-10000Hz TWIN OUTPUTS

F_N (Hz)	U_N (V)	Q_N (kVAR)	C_N (μ F)	I_N (A)	H (mm)	VERSION
1000	250	700	1783	2800	1000	A
	250	680	1732	2720	1000	B
600	600	2500	1105	4167	1000	A
	600	2400	1061	4000	1000	B
750	750	3375	955	4500	900	A
	750	3360	951	4480	900	B
1000	1000	4500	716	4500	850	A
	1000	4500	716	4500	900	B
1500	1500	6750	478	4500	1000	A
	1500	6540	463	4360	1000	B
2000	2000	6500	259	3250	1000	A
	2000	6400	255	3200	1000	B
2000	250	1000	1273	4000	750	A
	250	1000	1273	4000	800	B
600	600	2500	553	4167	550	A
	600	2400	531	4000	600	B
750	750	3000	424	4000	500	A
	750	3000	424	4000	550	B
1000	1000	4100	326	4100	500	A
	1000	4000	318	4000	550	B
1500	1500	6000	212	4000	550	A
	1500	6000	212	4000	650	B
2000	2000	8000	159	4000	700	A
	2000	8000	159	4000	800	B
2400	2400	9600	133	4000	1000	A
	2400	8800	122	3667	1000	B
3000	250	980	832	3920	550	A
	250	980	832	3920	550	B
600	600	2300	339	3833	450	A
	600	2300	339	3833	450	B
750	750	2950	278	3933	450	A
	750	2940	277	3920	450	B
1000	1000	3900	207	3900	400	A
	1000	3900	207	3900	450	B
1500	1500	5900	139	3933	400	A
	1500	5900	139	3933	450	B
2000	2000	7800	104	3900	550	A
	2000	7800	104	3900	600	B



1000-10000Hz TWIN OUTPUTS						
F_N (Hz)	U_N (V)	Q_N (kVAr)	C_N (µF)	I_N (A)	H (mm)	VERSION
4000	250	940	598	3760	400	A
	250	940	598	3760	450	B
	600	2200	243	3667	400	A
	600	2200	243	3667	400	B
	750	2800	198	3733	400	A
	750	2800	198	3733	400	B
	1000	3800	151	3800	450	A
	1000	3800	151	3800	450	B
	1500	5600	99	3733	400	A
	1500	5600	99	3733	500	B
	2000	7500	75	3750	450	A
	2000	7500	75	3750	650	B
5000	250	920	469	3680	450	A
	250	920	469	3680	450	B
	600	2200	195	3667	400	A
	600	2200	195	3667	400	B
	750	2700	153	3600	400	A
	750	2700	153	3600	450	B
	1000	3600	115	3600	450	A
	1000	3600	115	3600	400	B
	1500	5500	78	3667	450	A
	1500	5500	78	3667	550	B
	2000	7300	58	3650	400	A
	2000	7300	58	3650	650	B
8000	250	860	274	3440	450	A
	250	860	274	3440	450	B
	600	2000	111	3333	400	A
	600	2000	111	3333	400	B
	750	2500	88	3333	400	A
	750	2500	88	3333	400	B
	1000	3400	68	3400	450	A
	1000	3400	68	3400	400	B
	1500	5000	44	3333	400	A
	1500	5000	44	3333	400	B
10000	250	820	209	3280	450	A
	250	820	209	3280	400	B
	600	2000	88	3333	450	A
	600	2000	88	3333	450	B
	750	2400	68	3200	400	A
	750	2400	68	3200	400	B
	1000	3300	53	3300	450	A
	1000	3300	53	3300	400	B
	1500	5000	35	3333	450	A
	1500	5000	35	3333	450	B

Shown are the maximum power ratings, other power ratings, voltages, and frequencies on request.



Notice

Specifications of the products displayed herein are subject to change without notice. Vishay Intertechnology, Inc., or anyone on its behalf, assumes no responsibility or liability for any errors or inaccuracies.

Information contained herein is intended to provide a product description only. No license, express or implied, by estoppel or otherwise, to any intellectual property rights is granted by this document. Except as provided in Vishay's terms and conditions of sale for such products, Vishay assumes no liability whatsoever, and disclaims any express or implied warranty, relating to sale and/or use of Vishay products including liability or warranties relating to fitness for a particular purpose, merchantability, or infringement of any patent, copyright, or other intellectual property right.

The products shown herein are not designed for use in medical, life-saving, or life-sustaining applications. Customers using or selling these products for use in such applications do so at their own risk and agree to fully indemnify Vishay for any damages resulting from such improper use or sale.