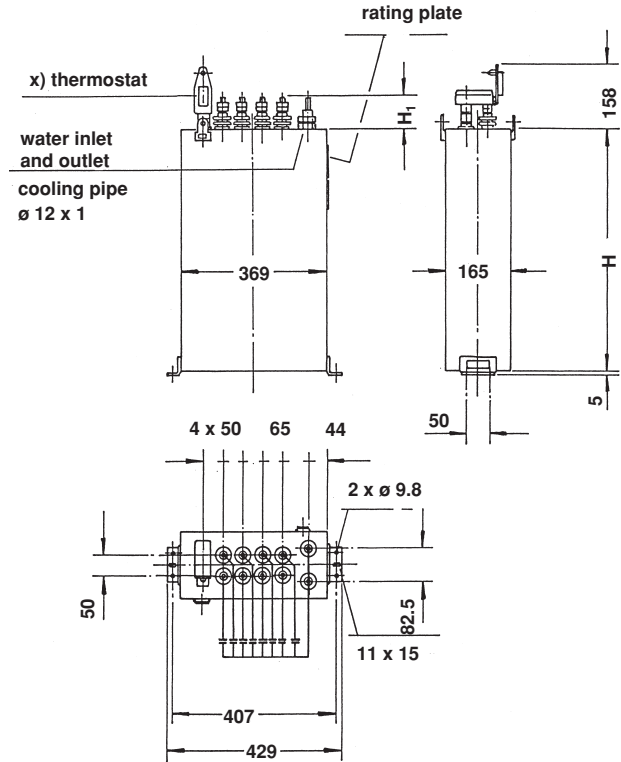


Medium Frequency Capacitors Water Cooled

ESTAFilm®, SUBDIVIDED IN PARTIAL OUTPUTS, 150 - 10000Hz

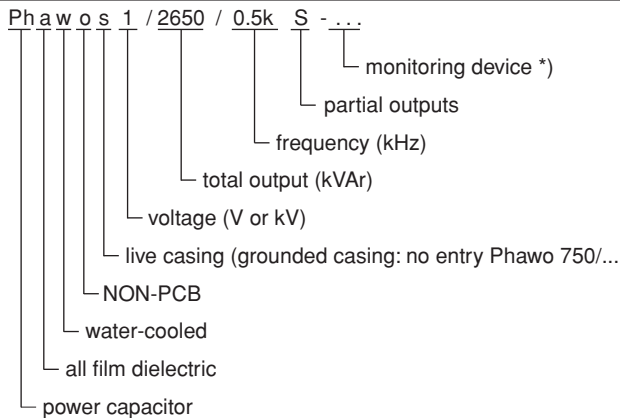
DESIGN

- All-film winding in brass sheet welded casing;
- Casing conductive, or grounded;
- Casing varnish RAL 7033;
- IP00, indoor;
- Ambient temperature 1°C 50°C;
- Outflowing water temperature 40°C maximum;
- Common terminal with 2 water-cooled current connections M20;
- Water tubing conductive;
- A maximum of 8 partial outputs with connection bolts M12 or M20 (depending on application current);
- Mounting in the upright or horizontal position;
- Upon request, temperature or pressure monitoring;



x) upon request

TYPE DESIGNATION



*) - ST = thermostat } Not all types available.
 - DR = pressure switch



150-10000Hz SUBDIVIDED IN PARTIAL OUTPUTS							
F _N (Hz)	U _N (V)	Q _N (kVAr)	C _N (μF)	I _N (A)	CASING		H (mm)
					CONDUCTIVE	GROUNDED	
150	600	760	2240	1267	X	X	1000
	1000	1320	1401	1320	X	X	1000
	1500	1720	811	1147	X	X	1000
	2000	1650	438	825	X	X	1000
	2500	1300	221	520	X	X	1000
	3000	2000	236	667	X	X	1000
250	600	1000	1768	1667	X	X	950
	1000	1700	1082	1700	X	X	900
	1500	2550	722	1700	X	X	1000
	2000	2520	401	1260	X	X	1000
	2500	2000	204	800	X	X	1000
	3000	3333	236	1111	X	X	1000
300	600	1020	1503	1700	X	X	800
	1000	1760	934	1760	X	X	1000
	1500	2550	601	1700	X	X	950
	2000	3000	398	1500	X	X	1000
	2500	2240	190	896	X	X	1000
	3000	3950	233	1317	X	X	1000
500	600	4000	236	1333	X		1000
	250	420	2139	1680	X	X	950
	600	1320	1167	2200	X	X	950
	600	1460	1291	2433	X		1000
	1000	2200	700	2200	X	X	800
	1000	2650	844	2650	X		900
600	1500	3300	467	2200	X	X	950
	1500	3600	509	2400	X		1000
	2000	3600	287	1800	X	X	1000
	2500	3000	153	1200	X	X	950
	3000	6000	212	2000	X	X	950
	250	420	1783	1680	X	X	850
1000	600	1320	973	2200	X	X	800
	600	1560	1149	2600	X		900
	1000	2200	584	2200	X	X	700
	1000	2650	703	2650	X		800
	1500	3300	389	2200	X	X	800
	1500	4000	472	2667	X		950
1000	2000	4160	276	2080	X	X	1000
	2500	3400	144	1360	X	X	1000
	3000	6000	177	2000	X	X	800
	250	550	1401	2200	X	X	850
	250	660	1681	2640	X		1000
	600	1320	584	2200	X	X	600
1000	600	1600	707	2667	X		700
	750	1650	467	2200	X	X	500
	750	1980	560	2640	X		600
	1000	2200	350	2200	X	X	500
	1000	2650	422	2650	X		550
	1500	3300	233	2200	X	X	600
1000	1500	3950	279	2633	X		650
	2000	4400	175	2200	X	X	750
	2000	5300	211	2650	X		850
	2450	4900	130	2000	X	X	1000

**150-10000Hz SUBDIVIDED IN PARTIAL OUTPUTS**

F _N (Hz)	U _N (V)	Q _N (kVA _r)	C _N (μF)	I _N (A)	CASING		H (mm)	
					CONDUCTIVE	GROUNDED		
2000	250	500	637	2000	X	X	450	
	250	660	840	2640	X		550	
	600	1200	265	2000	X	X	350	
	600	1600	354	2667	X		400	
	750	1500	212	2000	X	X	350	
	750	2000	283	2667	X		400	
	1000	2000	159	2000	X	X	300	
	1000	2650	211	2650	X		350	
	1500	3000	106	2000	X	X	350	
	1500	3975	141	2650	X		450	
	2000	4000	80	2000	X	X	450	
	2000	5300	105	2650	X		550	
	2400	4800	66	2000	X	X	600	
	2400	6360	88	2650	X		700	
	3000	250	480	407	1920	X	X	350
250		660	560	2640	X		400	
600		1160	171	1933	X	X	300	
600		1600	236	2667	X		350	
750		1470	139	1960	X	X	250	
750		2000	189	2667	X		350	
1000		1950	104	1950	X	X	300	
1000		2650	141	2650	X		350	
1500		2940	69	1960	X	X	300	
1500		3960	93	2640	X		350	
4000		250	470	299	1880	X	X	300
		250	660	420	2640	X		350
		600	1120	124	1867	X	X	250
		600	1600	177	2667	X		350
		750	1400	99	1867	X	X	250
	750	1980	140	2640	X		300	
	1000	1900	76	1900	X	X	250	
	1000	2650	105	2650	X		300	
	1500	2840	50	1893	X	X	250	
	1500	3960	70	2640	X		300	
	5000	250	460	234	1840	X	X	250
		250	640	326	2560	X		300
		600	1100	97	1833	X	X	250
		600	1520	134	2533	X		300
		1000	1850	59	1850	X	X	250
1000		2560	81	2560	X		250	
1500		2770	39	1847	X	X	300	
1500		3840	54	2560	X		350	
8000		250	420	134	1680	X	X	250
		250	600	191	2400	X		250
		600	1040	57	1733	X	X	200
		600	1420	78	2367	X		250
		1000	1740	35	1740	X	X	250
		1000	2400	48	2400	X		300
		1500	2600	23	1733	X	X	250
	1500	3500	31	2333	X		300	
	10000	250	420	107	1680	X	X	250
		250	570	145	2280	X		300
		500	850	54	1700	X	X	200
		500	1140	73	2280	X		250
		600	1020	45	1700	X	X	200
		600	1360	60	2267	X		250
		750	1275	36	1700	X	X	200
750		1720	49	2293	X		250	
1000		1700	27	1700	X	X	200	
1000		2300	37	2300	X		250	
1500		2550	18	1700	X	X	250	
1500		3400	24	2267	X		300	

Shown are the maximum power ratings, other power ratings, voltages, and frequencies on request.



Notice

Specifications of the products displayed herein are subject to change without notice. Vishay Intertechnology, Inc., or anyone on its behalf, assumes no responsibility or liability for any errors or inaccuracies.

Information contained herein is intended to provide a product description only. No license, express or implied, by estoppel or otherwise, to any intellectual property rights is granted by this document. Except as provided in Vishay's terms and conditions of sale for such products, Vishay assumes no liability whatsoever, and disclaims any express or implied warranty, relating to sale and/or use of Vishay products including liability or warranties relating to fitness for a particular purpose, merchantability, or infringement of any patent, copyright, or other intellectual property right.

The products shown herein are not designed for use in medical, life-saving, or life-sustaining applications. Customers using or selling these products for use in such applications do so at their own risk and agree to fully indemnify Vishay for any damages resulting from such improper use or sale.