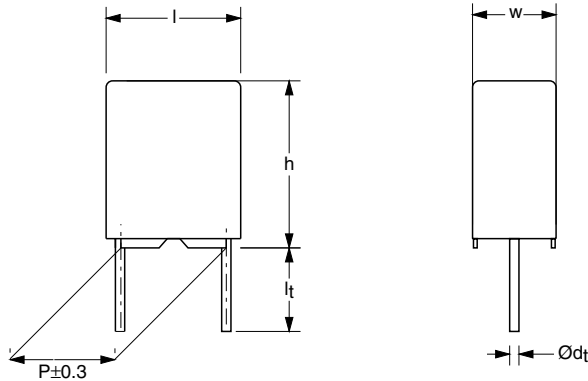


AC and Pulse Metallized Polypropylene Film Capacitors MKP Radial Potted Type



Dimensions in mm

APPLICATIONS

Low losses due to low contact resistance and low loss dielectric make these products suitable for applications where high currents at high frequency occur or high stability is preferred. Their small dimensions make them ideal for circuits with high packaging density.

MARKING

C-value; tolerance; rated voltage; manufacturer's type designation; code for dielectric material; manufacturer's emblem; code for factory of origin; year and week of manufacture

DIELECTRIC

Polypropylene film

ELECTRODES

Metallized film

ENCAPSULATION

Flame retardant plastic case and epoxy resin (UL-class 94 V-0)

CONSTRUCTION

Wound mono construction

LEADS

Tinned wire

CAPACITANCE RANGE (E24 SERIES)

0.0015 to 0.1 μ F

FEATURES

5 mm pitch. Supplied loose in box and ammopack

Lead (Pb)-free product

RoHS-compliant product



RoHS
COMPLIANT

CAPACITANCE TOLERANCE

$\pm 10\%$; $\pm 5\%$

RATED (DC) VOLTAGE

100 V; 160 V; 250 V; 400 V; 630 V

RATED (AC) VOLTAGE

63 V; 100 V; 160 V; 200 V; 200 V

RATED PEAK-TO-PEAK VOLTAGE

180 V; 280 V; 450 V; 560 V; 560 V

CLIMATIC CATEGORY

55/085/56

RATED TEMPERATURE

85 °C

MAXIMUM APPLICATION TEMPERATURE

85 °C

REFERENCE SPECIFICATIONS

IEC 60384-17

PERFORMANCE GRADE

Grade 1 (long life)

STABILITY GRADE

Grade 2

DETAIL SPECIFICATION

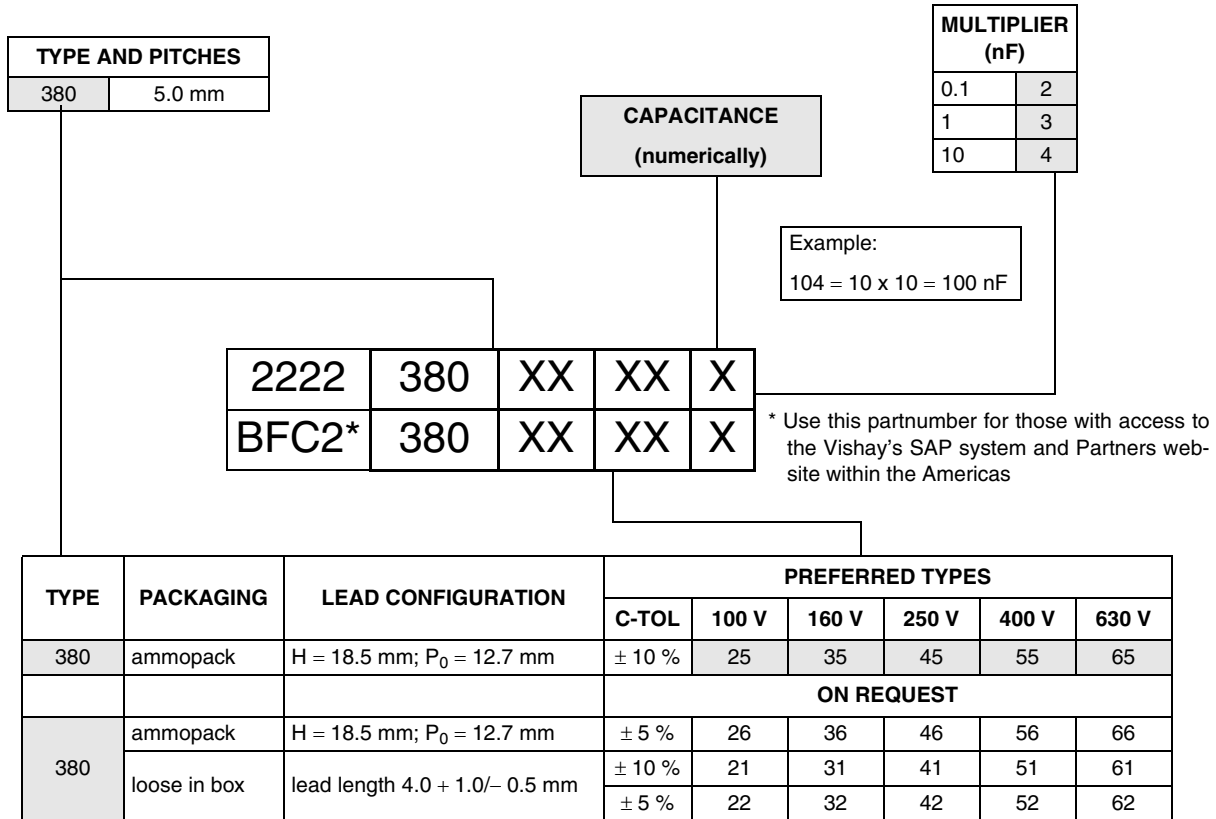
For more detailed data and test requirements see "Type detail specification HQN-384-17/103"

MKP 380

Vishay BCcomponents AC and Pulse Metallized Polypropylene
Film Capacitors MKP Radial Potted Type



COMPOSITION OF CATALOG NUMBER





SPECIFIC REFERENCE DATA (100 VDC)

DESCRIPTION	VALUE	
Tangent of loss angle: 0.018 μF ≤ C ≤ 0.027 μF 0.027 μF < C ≤ 0.075 μF 0.075 μF < C ≤ 0.1 μF	at 10 kHz	at 100 kHz
	≤ 5 × 10 ⁻⁴	≤ 15 × 10 ⁻⁴
	≤ 5 × 10 ⁻⁴	≤ 20 × 10 ⁻⁴
Rated voltage pulse slope (dU/dt) _R at 100 V (DC)	80 V/μs	
R between leads for C ≤ 1.0 μF at 100 V; 1 minute	> 100000 MΩ	
R between interconnected leads and case; 100 V; 1 minute	> 100000 MΩ	
Withstanding (DC) voltage (cut off current 10 mA); rise time 100 V/s	160 V; 1 minute	
Withstanding (DC)voltage between leads and case	2840 V; 1 minute	

U_{Rdc} = 100 V; U_{Rac} = 63 V; U_{p-p} = 180 V

C (μF)	DIMENSIONS W × H × L (mm)	MASS (g)	CATALOG NUMBER 2222 380 AND PACKAGING		
			AMMOPACK		LOOSE IN BOX
			H = 18.5 mm		l _t = 4.0 + 1.0/- 0.5 mm
			C-tol = ± 10 %	SPQ	SPQ
LAST 5 DIGITS OF CATALOG NUMBER					
Pitch = 5.0 ± 0.3 mm; d_t = 0.50 ± 0.05 mm					
0.018	3.5 × 8.0 × 7.2	0.35	25183	1500	2000
0.02			25203		
0.022			25223		
0.024			25243		
0.027			25273		
0.03			25303		
0.033			25333		
0.036	4.5 × 9.0 × 7.2	0.45	25363	1000	2000
0.039			25393		
0.043			25433		
0.047			25473		
0.051	6.0 × 11.0 × 7.2	0.60	25513	750	2000
0.056			25563		
0.062			25623		
0.068			25683		
0.075			25753		
0.082			25823		
0.091			25913		
0.1			25104		



SPECIFIC REFERENCE DATA (160 VDC)

DESCRIPTION	VALUE	
	at 10 kHz	at 100 kHz
Tangent of loss angle: 0.013 $\mu\text{F} \leq C \leq 0.027 \mu\text{F}$ 0.027 $\mu\text{F} < C \leq 0.068 \mu\text{F}$	$\leq 5 \times 10^{-4}$ $\leq 5 \times 10^{-4}$	$\leq 15 \times 10^{-4}$ $\leq 20 \times 10^{-4}$
Rated voltage pulse slope $(dU/dt)_R$ at 160 V (DC)	80 V/ μs	
R between leads for $C \leq 1.0 \mu\text{F}$ at 100 V; 1 minute	$> 100000 \text{ M}\Omega$	
R between interconnected leads and case; 100 V; 1 minute	$> 100000 \text{ M}\Omega$	
Withstanding (DC) voltage (cut off current 10 mA); rise time 100 V/s	256 V; 1 minute	
Withstanding (DC)voltage between leads and case	2840 V; 1 minute	

$U_{Rdc} = 160 \text{ V}$; $U_{Rac} = 100 \text{ V}$; $U_{p-p} = 280 \text{ V}$

C (μF)	DIMENSIONS W x H x L (mm)	MASS (g)	CATALOG NUMBER 2222 380 AND PACKAGING		
			AMMOPACK		LOOSE IN BOX
			H = 18.5 mm		$l_t = 4.0 + 1.0/-0.5 \text{ mm}$
			C-tol = $\pm 10 \%$	SPQ	SPQ
			LAST 5 DIGITS OF CATALOG NUMBER		
Pitch = $5.0 \pm 0.3 \text{ mm}$; $d_t = 0.50 \pm 0.05 \text{ mm}$					
0.013	3.5 x 8.0 x 7.2	0.35	35133	1500	2000
0.015			35153		
0.016			35163		
0.018			35183		
0.02			35203		
0.022			35223		
0.024	4.5 x 9.0 x 7.2	0.45	35243	1000	2000
0.027			35273		
0.03			35303		
0.033			35333		
0.036	6.0 x 11.0 x 7.2	0.60	35363	750	2000
0.039			35393		
0.043			35433		
0.047			35473		
0.051			35513		
0.056			35563		
0.062			35623		
0.068			35683		



SPECIFIC REFERENCE DATA (250 VDC)

DESCRIPTION	VALUE	
Tangent of loss angle: 0.0091 μF ≤ C ≤ 0.027 μF 0.027 μF < C ≤ 0.043 μF	at 10 kHz	at 100 kHz
	≤ 5 × 10 ⁻⁴	≤ 15 × 10 ⁻⁴
	≤ 5 × 10 ⁻⁴	≤ 20 × 10 ⁻⁴
Rated voltage pulse slope (dU/dt) _R at 250 V (DC)	90 V/μs	
R between leads for C ≤ 1.0 μF at 100 V; 1 minute	> 100000 MΩ	
R between interconnected leads and case; 100 V; 1 minute	> 100000 MΩ	
Withstanding (DC) voltage (cut off current 10 mA); rise time 100 V/s	400 V; 1 minute	
Withstanding (DC)voltage between leads and case	2840 V; 1 minute	

U_{Rdc} = 250 V; U_{Rac} = 160 V; U_{p-p} = 450 V

C (μF)	DIMENSIONS W × H × L (mm)	MASS (g)	CATALOG NUMBER 2222 380 AND PACKAGING		
			AMMOPACK		LOOSE IN BOX
			H = 18.5 mm		l _t = 4.0 + 1.0/- 0.5 mm
			C-tol = ± 10 %	SPQ	SPQ
LAST 5 DIGITS OF CATALOG NUMBER					
Pitch = 5.0 ± 0.3 mm; d_t = 0.50 ± 0.05 mm					
0.0091	3.5 × 8.0 × 7.2	0.35	45912	1500	2000
0.01			45103		
0.011			45113		
0.012			45123		
0.013			45133		
0.015			45153		
0.016	4.5 × 9.0 × 7.2	0.45	45163	1000	2000
0.018			45183		
0.02			45203		
0.022			45223		
0.024			45243		
0.027	6.0 × 11.0 × 7.2	0.60	45273	750	2000
0.03			45303		
0.033			45333		
0.036			45363		
0.039			45393		
0.043			45433		



SPECIFIC REFERENCE DATA (400 VDC)

DESCRIPTION	VALUE	
	at 10 kHz	at 100 kHz
Tangent of loss angle: 0.0043 $\mu\text{F} \leq C \leq 0.0091 \mu\text{F}$ 0.0091 $\mu\text{F} < C \leq 0.02 \mu\text{F}$	$\leq 5 \times 10^{-4}$ $\leq 5 \times 10^{-4}$	$\leq 10 \times 10^{-4}$ $\leq 15 \times 10^{-4}$
Rated voltage pulse slope $(dU/dt)_R$ at 400 V (DC)	100 V/ μs	
R between leads for $C \leq 1.0 \mu\text{F}$ at 100 V; 1 minute	$> 100000 \text{ M}\Omega$	
R between interconnected leads and case; 100 V; 1 minute	$> 100000 \text{ M}\Omega$	
Withstanding (DC) voltage (cut off current 10 mA); rise time 100 V/s	640 V; 1 minute	
Withstanding (DC)voltage between leads and case	2840 V; 1 minute	

$U_{Rdc} = 400 \text{ V}$; $U_{Rac} = 200 \text{ V}$; $U_{p-p} = 560 \text{ V}$

C (μF)	DIMENSIONS W x H x L (mm)	MASS (g)	CATALOG NUMBER 2222 380 AND PACKAGING		
			AMMOPACK		LOOSE IN BOX
			H = 18.5 mm		$l_t = 4.0 + 1.0/-0.5 \text{ mm}$
			C-tol = $\pm 10 \%$	SPQ	SPQ
			LAST 5 DIGITS OF CATALOG NUMBER		
Pitch = $5.0 \pm 0.3 \text{ mm}$; $d_t = 0.50 \pm 0.05 \text{ mm}$					
0.0043 0.0047 0.0051 0.0056 0.0062 0.0068 0.0075 0.0082	3.5 x 8.0 x 7.2	0.35	55432 55472 55512 55562 55622 55682 55752 55822	1500	2000
0.0091 0.01 0.011 0.012	4.5 x 9.0 x 7.2	0.45	55912 55103 55113 55123	1000	2000
0.013 0.015 0.016 0.018 0.02	6.0 x 11.0 x 7.2	0.60	55133 55153 55163 55183 55203	750	2000



SPECIFIC REFERENCE DATA (630 VDC)

DESCRIPTION	VALUE	
Tangent of loss angle: 0.0015 μF ≤ C ≤ 0.0091 μF 0.0091 μF < C ≤ 0.01 μF	at 10 kHz	at 100 kHz
	≤ 5 × 10 ⁻⁴	≤ 10 × 10 ⁻⁴
	≤ 5 × 10 ⁻⁴	≤ 15 × 10 ⁻⁴
Rated voltage pulse slope (dU/dt) _R at 630 V (DC)	120 V/μs	
R between leads for C ≤ 1.0 μF at 500 V; 1 minute	> 100000 MΩ	
R between interconnected leads and case; 500 V; 1 minute	> 100000 MΩ	
Withstanding (DC) voltage (cut off current 10 mA); rise time 100 V/s	880 V; 1 minute	
Withstanding (DC)voltage between leads and case	2840 V; 1 minute	

U_{Rdc} = 630 V; U_{Rac} = 200 V; U_{p-p} = 560 V

C (μF)	DIMENSIONS W × H × L (mm)	MASS (g)	CATALOG NUMBER 2222 380 AND PACKAGING		
			AMMOPACK		LOOSE IN BOX
			H = 18.5 mm		l _t = 4.0 + 1.0/- 0.5 mm
			C-tol = ± 10 %	SPQ	SPQ
			LAST 5 DIGITS OF CATALOG NUMBER		
Pitch = 5.0 ± 0.3 mm; d_t = 0.50 ± 0.05 mm					
0.0015 0.0016 0.0018 0.002 0.0022 0.0024 0.0027 0.003 0.0033 0.0036 0.0039	3.5 × 8.0 × 7.2	0.35	65152 65162 65182 65202 65222 65242 65272 65302 65332 65362 65392	1500	2000
0.0043 0.0047 0.0051 0.0056	4.5 × 9.0 × 7.2	0.45	65432 65472 65512 65562	1000	2000
0.0062 0.0068 0.0075 0.0082 0.0091 0.01	6.0 × 11.0 × 7.2	0.60	65622 65682 65752 65822 65912 65103	750	2000



Notice

Specifications of the products displayed herein are subject to change without notice. Vishay Intertechnology, Inc., or anyone on its behalf, assumes no responsibility or liability for any errors or inaccuracies.

Information contained herein is intended to provide a product description only. No license, express or implied, by estoppel or otherwise, to any intellectual property rights is granted by this document. Except as provided in Vishay's terms and conditions of sale for such products, Vishay assumes no liability whatsoever, and disclaims any express or implied warranty, relating to sale and/or use of Vishay products including liability or warranties relating to fitness for a particular purpose, merchantability, or infringement of any patent, copyright, or other intellectual property right.

The products shown herein are not designed for use in medical, life-saving, or life-sustaining applications. Customers using or selling these products for use in such applications do so at their own risk and agree to fully indemnify Vishay for any damages resulting from such improper use or sale.