

Metallized Film Power Capacitor

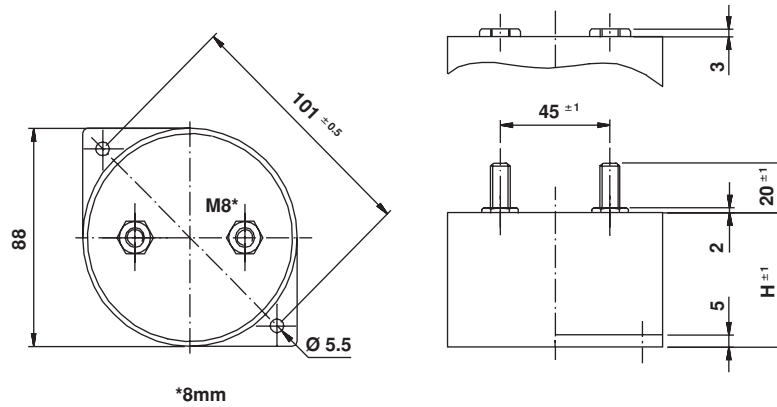


FEATURES

- Very low stray inductance
- Extremely low losses also at high frequencies
- Low ESR: < 4 mΩ
- Highest RMS current rating
- High impulse discharge current capability
- Heavy duty shock and vibration
- High reliability and life expectancy
- Easy mounting by integrated flanges

GENERAL SPECIFICATIONS	
Dielectric	Polypropylene
Temperature coefficient (TCC)	- 2.3% from - 20°C to + 70°C
Dissipation factor (DF)	< 4 x 10 ⁻⁴ /2 kHz
Capacitance tolerance	± 5%
Operating temperature	- 40°C to + 70°C at UN - 40°C to + 100°C at 0.5* UN
Inductance	< 30nH
Lifetime expectancy	100,000 hours at U _R and 60°C
Reliability	300FIT
Test voltage	Terminal/Terminal = 1.5*U _R DC, 10s Terminal/Earth = 6000VAC, 60s
Casing material	Polyester, UL 94, V0
Filling	Resin Polyurethane, UL 94, V0
Standards	IEC 61071-1, EN 61071-1 and IEC 61881

DIMENSIONS



TYPE DESCRIPTION						
TYPE GLI	RATED VOLTAGE		CAPACITANCE (µF)	CURRENT* MAX. (A)	du/dt MAX.(V/µs)	HEIGHT (mm)
	DC (V)	AC (V)				
700-35	700	200	35	80	450	38
700-160	700	200	160	100	150	56
700-230	700	200	230	100	100	68
900-25	900	250	25	60	500	38
900-100	900	250	100	80	150	56
900-150	900	250	150	90	125	68
1100-15	1100	300	15	50	750	38
1100-75	1100	300	75	80	200	56
1100-100	1100	300	100	80	150	68
1250-50	1250	350	50	70	250	56
1250-75	1250	350	75	70	150	68
1450-40	1450	400	40	70	250	56
1450-60	1450	400	60	70	200	68
1800-25	1800	450	25	50	300	56
1800-35	1800	450	35	50	250	68
2150-18	2150	500	18	40	400	56
2150-25	2150	500	25	40	300	68

Note: Other voltage and capacitance values are available upon request.

*Design current for short term operation at 50°C