

AC-Capacitors, Suppression Capacitors Class Y2 AC 250V (MKT)

| LEAD LENGTH X (mm) | ORDERING CODE** |
|--------------------|-----------------|
| 4 ⁻¹ | F1710-...-1004 |
| 6 ⁻¹ | F1710-...-1000 |
| 15 ⁻¹ | F1710-...-1015 |
| 30 ⁻¹ | F1710-...-1030 |

FEATURES:

Product is completely lead (Pb)-free
Product is RoHS compliant



**RoHS
COMPLIANT**

TECHNICAL DATA:

See page 71 (Document Number 26525)

TERMINALS:

Radial tinned copper wire



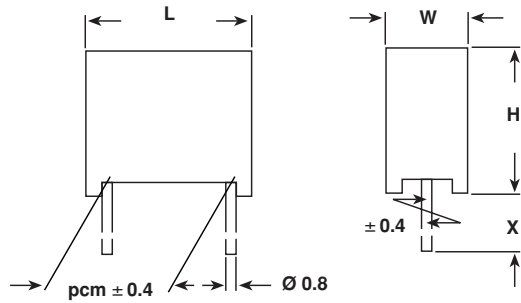
RATED VOLTAGE:

AC 250V, 50/60Hz

COATING:

Plastic case, epoxy resin sealed, flame retardant,
UL-class 94V-0

Dimensions in mm



| CAPACITANCE | TOL. (%) | PITCH (mm) | BOX NO | DIMENSIONS W x H x L (mm) (+ 0.2/- 0.4mm) | WEIGHT (LEAD LENGTH ≤ 6 ⁻¹ mm) (g) | QUANTITY PACKAGE (LEAD LENGTH ≤ 6 ⁻¹ mm) (pcs) | ORDERING CODE** |
|-------------------|-------------|---------------|-----------|--|--|---|------------------------|
| 1000 pFY2 | ± 20 | 15 | 05 | 5.3 x 10.3 x 17.8 | 1.4 | 750 | F1710-210-10 .. |
| 1200 pFY2 | ± 20 | 15 | 05 | 5.3 x 10.3 x 17.8 | 1.4 | 750 | F1710-212-10 .. |
| 1500 pFY2 | ± 20 | 15 | 05 | 5.3 x 10.3 x 17.8 | 1.4 | 750 | F1710-215-10 .. |
| 1800 pFY2 | ± 20 | 15 | 05 | 5.3 x 10.3 x 17.8 | 1.4 | 750 | F1710-218-10 .. |
| 2200 pFY2 | ± 20 | 15 | 05 | 5.3 x 10.3 x 17.8 | 1.4 | 750 | F1710-222-10 .. |
| 2700 pFY2 | ± 20 | 15 | 05 | 5.3 x 10.3 x 17.8 | 1.4 | 750 | F1710-227-10 .. |
| 3300 pFY2 | ± 20 | 15 | 05 | 5.3 x 10.3 x 17.8 | 1.4 | 750 | F1710-233-10 .. |
| 3900 pFY2 | ± 20 | 15 | 05 | 5.3 x 10.3 x 17.8 | 1.4 | 750 | F1710-239-10 .. |
| 4700 pFY2 | ± 20 | 15 | 05 | 5.3 x 10.3 x 17.8 | 1.4 | 750 | F1710-247-10 .. |
| 5600 pFY2 | ± 20 | 15 | 05 | 5.3 x 10.3 x 17.8 | 1.4 | 750 | F1710-256-10 .. |
| 6800 pFY2 | ± 20 | 15 | 05 | 5.3 x 10.3 x 17.8 | 1.4 | 750 | F1710-268-10 .. |
| 8200 pFY2 | ± 20 | 15 | 06 | 6.3 x 12.3 x 17.8 | 2.0 | 500 | F1710-282-10 .. |
| | | | | | | | |
| 0.01 µFY2 | ± 20 | 15 | 06 | 6.3 x 12.3 x 17.8 | 2.0 | 500 | F1710-310-10 .. |
| 0.012 µFY2 | ± 20 | 15 | 07 | 7.3 x 13.3 x 17.8 | 2.4 | 450 | F1710-312-10 .. |
| 0.015 µFY2 | ± 20 | 15 | 07 | 7.3 x 13.3 x 17.8 | 2.4 | 450 | F1710-315-10 .. |
| 0.018 µFY2 | ± 20 | 15 | 28 | 8.3 x 17.3 x 17.8 | 3.4 | 300 | F1710-318-10 .. |
| 0.022 µFY2 | ± 20 | 15 | 28 | 8.3 x 17.3 x 17.8 | 3.4 | 300 | F1710-322-10 .. |
| 0.027 µFY2 | ± 20 | 22.5 | 09 | 6.3 x 14.3 x 26.3 | 3.5 | 260 | F1710-327-10 .. |
| 0.033 µFY2 | ± 20 | 22.5 | 09 | 6.3 x 14.3 x 26.3 | 3.5 | 260 | F1710-333-10 .. |
| 0.039 µFY2 | ± 20 | 22.5 | 11 | 7.3 x 15.3 x 26.3 | 3.9 | 235 | F1710-339-10 .. |
| 0.047 µFY2 | ± 20 | 22.5 | 12 | 8.3 x 16.3 x 26.3 | 4.8 | 200 | F1710-347-10 .. |
| 0.056 µFY2 | ± 20 | 22.5 | 13 | 10.3 x 18.3 x 26.3 | 6.6 | 170 | F1710-356-10 .. |
| 0.068 µFY2 | ± 20 | 22.5 | 13 | 10.3 x 18.3 x 26.3 | 6.6 | 170 | F1710-368-10 .. |
| 0.082 µFY2 | ± 20 | 27.5 | 14 | 11.0 x 20.3 x 31.3 | 9.4 | 125 | F1710-382-10 .. |
| 0.1 µFY2 | ± 20 | 27.5 | 14 | 11.0 x 20.3 x 31.3 | 9.4 | 125 | F1710-410-10 .. |

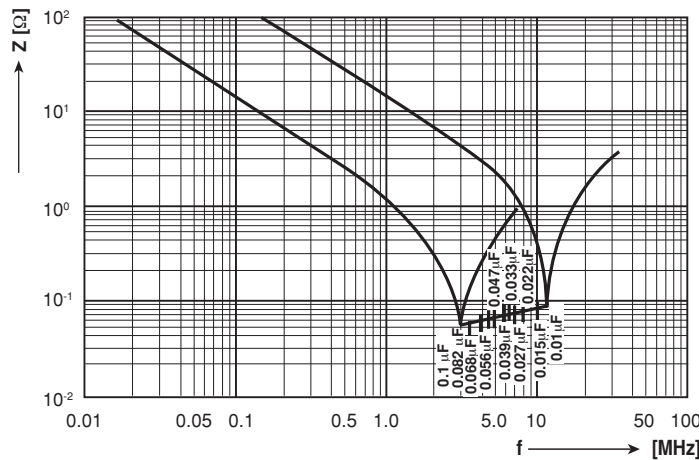
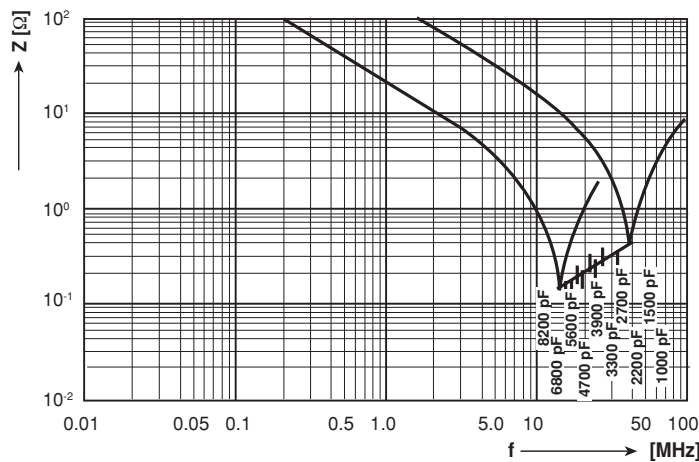
Preferred values in bold print.

* Further information about packaging quantities with different lead length and/or taped versions
See page 16 (Document No 27608 Packaging Quantities). Use Box No. as reference

** These capacitors can be delivered on continuous tape and reel see page 14/15 (Document Number 27622)
The ordering code is then: F1710-...-1900 at H = 16mm, F1710-...-1901 at H = 18.5mm.

APPROVALS

| COUNTRY | SPECIFICATION | ELECTRICAL VALUES | APPROVAL REFERENCE | APPROVAL MARK |
|--|---|--|---------------------|-----------------|
| U.S.A (for AC 250V) | UL 1283 UL 1414 | 1000pFY - 0.1 μ FY 1000pFY - 0.1 μ FY | E 76297 E 100682 | |
| Canada (for AC 250V) | C 22.2 No. 1-M 1994 | 1000pFY - 0.1 μ FY | LR 64546-7 | |
| CB TEST-CERTIFICATE (for AC 250V) | | 1000pFY2 - 0.1 μ FY2 | DE 1-8223 | |
| Germany | EN 132 400, 1999 IEC 60384-14, 2nd edition, 1995 | 1000pFY2 - 0.1 μ FY2 | 94613 | |
| This approval mark together with the CB-Certificate replace all national approval marks of the following countries (they have already signed the CB-Agreement): | | | | |
| Austria | Belgium | Denmark | Finland | Sweden |
| France | Germany | Ireland | Italy | Switzerland |
| Netherlands | Israel | Portugal | Spain | Great Britain |
| Japan | Norway | China | Poland | Czech. Republic |
| Singapore | Rep. of Korea | Hungary | Iceland | Slovenia |



Impedance (Z) as a function of frequency (f)
at $T_a = 20^\circ\text{C}$ (average).
Measurement with lead length 6mm.



Notice

Specifications of the products displayed herein are subject to change without notice. Vishay Intertechnology, Inc., or anyone on its behalf, assumes no responsibility or liability for any errors or inaccuracies.

Information contained herein is intended to provide a product description only. No license, express or implied, by estoppel or otherwise, to any intellectual property rights is granted by this document. Except as provided in Vishay's terms and conditions of sale for such products, Vishay assumes no liability whatsoever, and disclaims any express or implied warranty, relating to sale and/or use of Vishay products including liability or warranties relating to fitness for a particular purpose, merchantability, or infringement of any patent, copyright, or other intellectual property right.

The products shown herein are not designed for use in medical, life-saving, or life-sustaining applications. Customers using or selling these products for use in such applications do so at their own risk and agree to fully indemnify Vishay for any damages resulting from such improper use or sale.