

Precision Rotative Transducers, Conductive Plastic, Economic Series (ECS)



Low cost industrial motion transducers, conductive plastic track.

SIZE	09			
MODEL	78 RS	78 RB	78 PS	78 PB

FEATURES

- Size 09: ($\frac{7}{8}$ ") 22.2 mm
- Long life: 5 million cycles
- Bush or servo mounting types available
- Rear comolded terminals
- Cost effective solution for any industrial applications
- Material categorization: For definitions of compliance please see www.vishay.com/doc?99912



RoHS
COMPLIANT

QUICK REFERENCE DATA

Sensor type	ROTATIONAL, conductive plastic
Output type	Output by turrets
Market appliance	Industrial
Dimensions	22.2 mm ($\frac{7}{8}$ ") dia.

ELECTRICAL SPECIFICATIONS

Theoretical electrical angle (TEA)	(AEA) - 3°	
Independent linearity (over TEA)	A ≤ ± 1 %, on request: B ≤ ± 0.5 % C ≤ ± 0.35 %	A ≤ ± 2 %
Actual electrical angle (AEA)	340° ± 5°	
Ohmic values (R _T)	1 kΩ - 2 kΩ - 5 kΩ - 10 kΩ (on request other values)	1 kΩ - 2 kΩ - 5 kΩ - 10 kΩ
Ohmic value tolerances at 20 °C	Standard: ± 20 %/special: ± 10 %	± 20 %
Output smoothness	0.1 %	
Maximum power rating at 70 °C	0.3 W	
Wiper current	Recommended: a few μA - 1 mA max. (continuous)	
Tap (current or voltage)	1: On request	NA
Resistance load on wiper	≥ 1000 x R _T	
End voltage	≤ 0.5 % DC	
Insulation resistance	≥ 1000 MΩ, 500 V _{DC}	
Dielectric strength	≥ 500 V _{RMS} , 50 Hz	

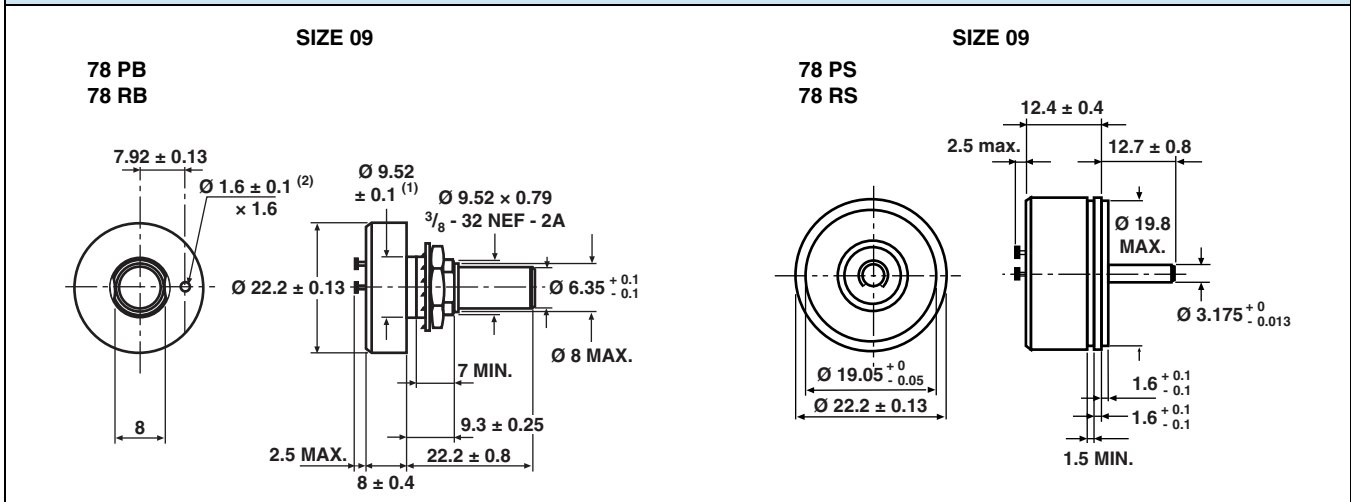
MECHANICAL SPECIFICATIONS

Mechanical angle (MA)	360° continuous		
On request: stops	342° ± 5°		
Mounting type	Servo	Bushing	Servo Bushing
Shaft guiding	Sleeve bearings		
Shaft	Stainless steel		
Option: flat or screw driver slot on shaft	On request	NA	
Termination	Turrets		
Wiper	Precious metal multi-finger contact		
Starting torque (N.cm)	≤ 0.5		
Torque on stops (N.cm)	≥ 20		
Weight (g)	Bushing 17 g ± 3 g		Servo 12 g ± 3 g

PERFORMANCE

Life (10 ⁶ cycles)	5
Temperature range	- 55 °C to + 125 °C
Climatic category	55/125/04
Speed rotation (RPM)	150
Sine vibration on 3 axes	15 g from 10 Hz to 2000 Hz
Mechanical shocks on 3 axes	50 g - 11 ms - half sine

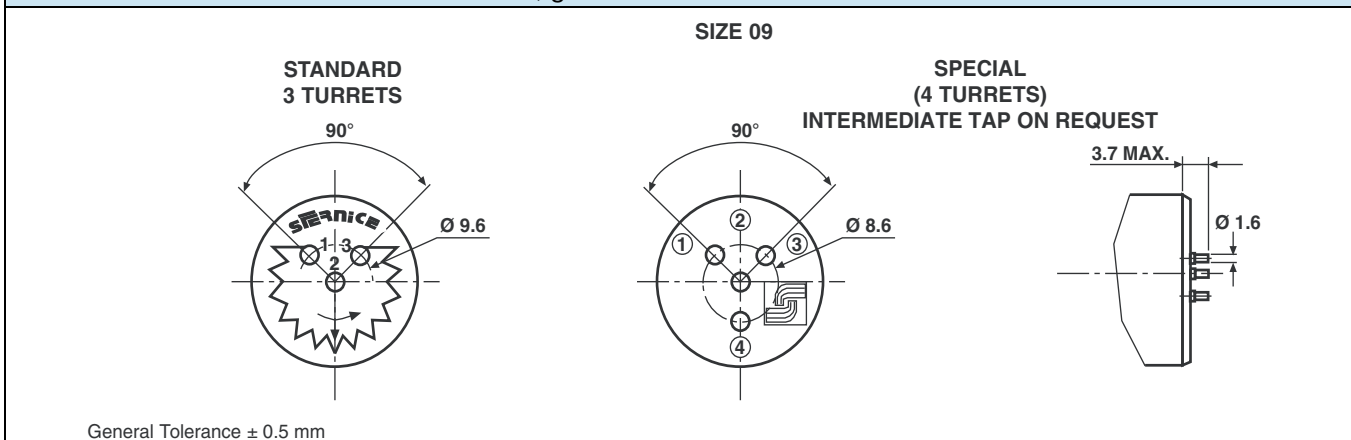
DIMENSIONS in millimeters, general tolerance ± 0.5 mm



Notes

- (1) On request: $\varnothing 10.3$ mm or 12.3 mm
- (2) On request: Without antirotation pin

REAR VIEW DIMENSIONS in millimeters, general tolerance 0.5 mm



ORDERING INFORMATION/DESCRIPTION

ECS	78	P	S	M	A	T	103	e4
SERIES	MODEL	TYPE	FIXATION	MECHANICAL STOPS	LINEARITY	TAP	OHMIC VALUE	LEAD FINISH
		P	S: Servo	On request	A: $\pm 1\%$ or $\pm 2\%$	On request	102: 1 k Ω	
		R	B: Bushing	M	B: $\pm 0.5\%$	T: Voltage	202: 2 k Ω	
					C: $\pm 0.35\%$	U: Current	502: 5 k Ω	
						position to be specified	103: 10 k Ω	

SAP PART NUMBERING GUIDELINES

ECS	78RB	B	102
SERIES	MODEL	LINEARITY	OHMIC VALUE



Disclaimer

ALL PRODUCT, PRODUCT SPECIFICATIONS AND DATA ARE SUBJECT TO CHANGE WITHOUT NOTICE TO IMPROVE RELIABILITY, FUNCTION OR DESIGN OR OTHERWISE.

Vishay Intertechnology, Inc., its affiliates, agents, and employees, and all persons acting on its or their behalf (collectively, "Vishay"), disclaim any and all liability for any errors, inaccuracies or incompleteness contained in any datasheet or in any other disclosure relating to any product.

Vishay makes no warranty, representation or guarantee regarding the suitability of the products for any particular purpose or the continuing production of any product. To the maximum extent permitted by applicable law, Vishay disclaims (i) any and all liability arising out of the application or use of any product, (ii) any and all liability, including without limitation special, consequential or incidental damages, and (iii) any and all implied warranties, including warranties of fitness for particular purpose, non-infringement and merchantability.

Statements regarding the suitability of products for certain types of applications are based on Vishay's knowledge of typical requirements that are often placed on Vishay products in generic applications. Such statements are not binding statements about the suitability of products for a particular application. It is the customer's responsibility to validate that a particular product with the properties described in the product specification is suitable for use in a particular application. Parameters provided in datasheets and/or specifications may vary in different applications and performance may vary over time. All operating parameters, including typical parameters, must be validated for each customer application by the customer's technical experts. Product specifications do not expand or otherwise modify Vishay's terms and conditions of purchase, including but not limited to the warranty expressed therein.

Except as expressly indicated in writing, Vishay products are not designed for use in medical, life-saving, or life-sustaining applications or for any other application in which the failure of the Vishay product could result in personal injury or death. Customers using or selling Vishay products not expressly indicated for use in such applications do so at their own risk. Please contact authorized Vishay personnel to obtain written terms and conditions regarding products designed for such applications.

No license, express or implied, by estoppel or otherwise, to any intellectual property rights is granted by this document or by any conduct of Vishay. Product names and markings noted herein may be trademarks of their respective owners.

Material Category Policy

Vishay Intertechnology, Inc. hereby certifies that all its products that are identified as RoHS-Compliant fulfill the definitions and restrictions defined under Directive 2011/65/EU of The European Parliament and of the Council of June 8, 2011 on the restriction of the use of certain hazardous substances in electrical and electronic equipment (EEE) - recast, unless otherwise specified as non-compliant.

Please note that some Vishay documentation may still make reference to RoHS Directive 2002/95/EC. We confirm that all the products identified as being compliant to Directive 2002/95/EC conform to Directive 2011/65/EU.

Vishay Intertechnology, Inc. hereby certifies that all its products that are identified as Halogen-Free follow Halogen-Free requirements as per JEDEC JS709A standards. Please note that some Vishay documentation may still make reference to the IEC 61249-2-21 definition. We confirm that all the products identified as being compliant to IEC 61249-2-21 conform to JEDEC JS709A standards.