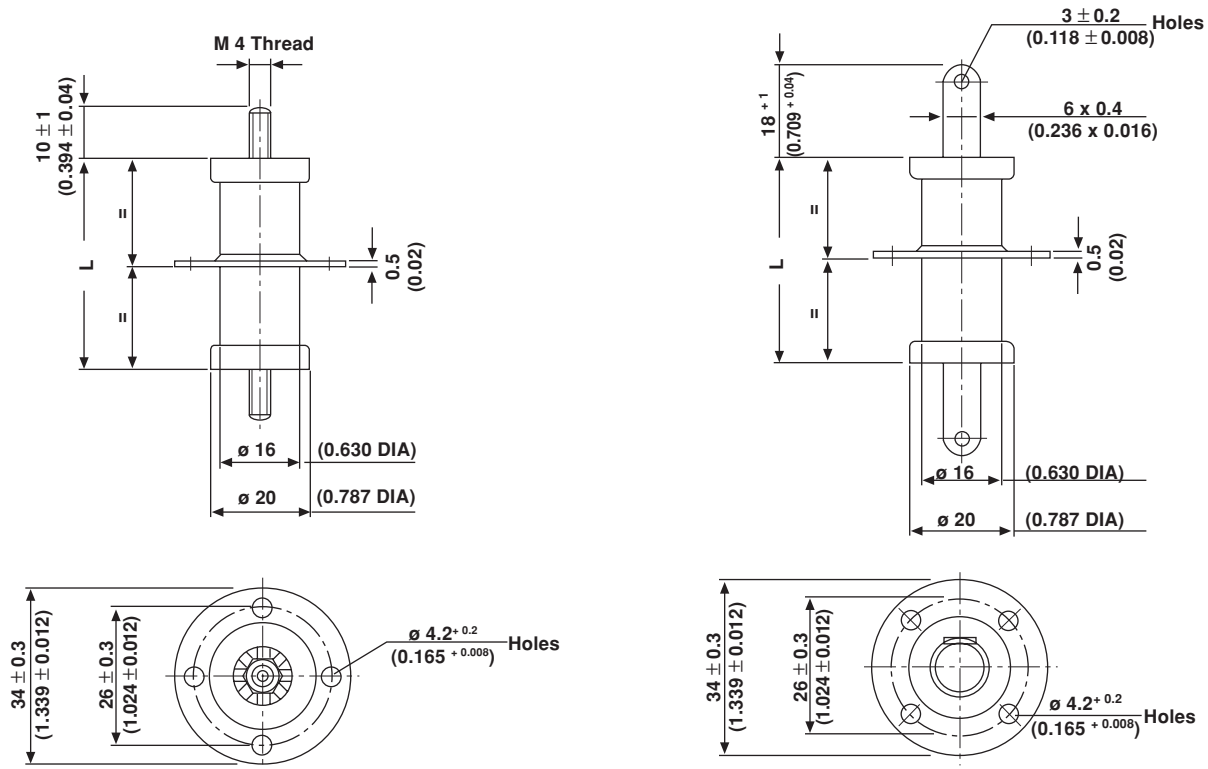


## Feed-Through Capacitors, Screw and Tag Mounting

**DB 016030** 3KV<sub>p</sub>  
**DB 016040** 3KV<sub>p</sub>  
**DB 016060** 3KV<sub>p</sub> to 4KV<sub>p</sub>

**DF 016030** 3KV<sub>p</sub>  
**DF 016040** 3KV<sub>p</sub>  
**DF 016060** 3KV<sub>p</sub> to 4KV<sub>p</sub>



• Dimensions in millimeters (inches)

MODEL	DB 016030 DF 016030	DB 016040 DF 016040	DB 016060 DF 016060
Length L	30 (1.81)	40 (1.575)	60 (2.362)

**MATERIAL:**

Capacitor elements made from Class 1 ceramic dielectric with noble metal electrodes.  
 Connection Terminals: Copper/brass, silver plated.

**FINISH:**

Noble metal electrodes and flat rims completely lacquered.

**MARKING:**

Type designator, Capacitance value and tolerance, Rated voltage (peak value), Production date code, Ceramic material code, DRALORIC Logo.

**ORDERING INFORMATION**

DF 016060	3KV <sub>p</sub>	1500pF	± 20%	R 85
MODEL	RATED VOLTAGE	CAPACITANCE VALUE	TOLERANCE	CERAMIC



<b>DF 016030</b>				
CERAMIC	CAPACITANCE VALUE [pF]	RATED VOLTAGE [KV <sub>P</sub> ]	RATED POWER [KVA <sub>r</sub> ]	RATED CURRENT [A <sub>RMS</sub> ]
R 85	200	3	4	5
	400			
	600			
<b>DF 016040</b>				
CERAMIC	CAPACITANCE VALUE [pF]	RATED VOLTAGE [KV <sub>P</sub> ]	RATED POWER [KVA <sub>r</sub> ]	RATED CURRENT [A <sub>RMS</sub> ]
R 85	500	3	5	5
	700			
	800			
<b>DF 016060</b>				
CERAMIC	CAPACITANCE VALUE [pF]	RATED VOLTAGE [KV <sub>P</sub> ]	RATED POWER [KVA <sub>r</sub> ]	RATED CURRENT [A <sub>RMS</sub> ]
R 85	800	4	7.5	5
	1000	3		
	1200			
	1500			

Feed-through current DC or low frequency RMS current (< 20KHz): 6 A

<b>DB 016030</b>				
CERAMIC	CAPACITANCE VALUE [pF]	RATED VOLTAGE [KV <sub>P</sub> ]	RATED POWER [KVA <sub>r</sub> ]	RATED CURRENT [A <sub>RMS</sub> ]
R 85	200	3	4	5
	400			
	600			
<b>DB 016040</b>				
CERAMIC	CAPACITANCE VALUE [pF]	RATED VOLTAGE [KV <sub>P</sub> ]	RATED POWER [KVA <sub>r</sub> ]	RATED CURRENT [A <sub>RMS</sub> ]
R 85	500	3	5	5
	700			
	800			
<b>DB 016060</b>				
CERAMIC	CAPACITANCE VALUE [pF]	RATED VOLTAGE [KV <sub>P</sub> ]	RATED POWER [KVA <sub>r</sub> ]	RATED CURRENT [A <sub>RMS</sub> ]
R 85	800	4	7.5	5
	1000	3		
	1200			
	1500			
R 230	2500	3	7.5	5

Feed-through current DC or low frequency RMS current (< 20KHz): 10 A

For higher feed-through current, an additional feed-through conductor must be provided for D-style capacitors.

**CAPACITANCE TOLERANCES:** ± 20%, ± 10%, ± 5%



## Notice

Specifications of the products displayed herein are subject to change without notice. Vishay Intertechnology, Inc., or anyone on its behalf, assumes no responsibility or liability for any errors or inaccuracies.

Information contained herein is intended to provide a product description only. No license, express or implied, by estoppel or otherwise, to any intellectual property rights is granted by this document. Except as provided in Vishay's terms and conditions of sale for such products, Vishay assumes no liability whatsoever, and disclaims any express or implied warranty, relating to sale and/or use of Vishay products including liability or warranties relating to fitness for a particular purpose, merchantability, or infringement of any patent, copyright, or other intellectual property right.

The products shown herein are not designed for use in medical, life-saving, or life-sustaining applications. Customers using or selling these products for use in such applications do so at their own risk and agree to fully indemnify Vishay for any damages resulting from such improper use or sale.