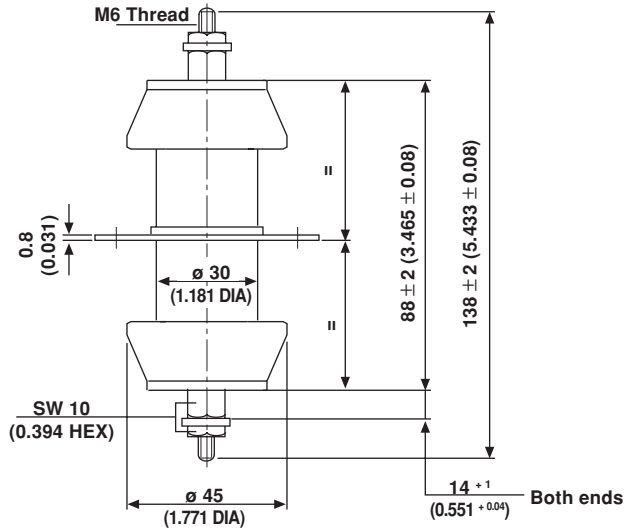
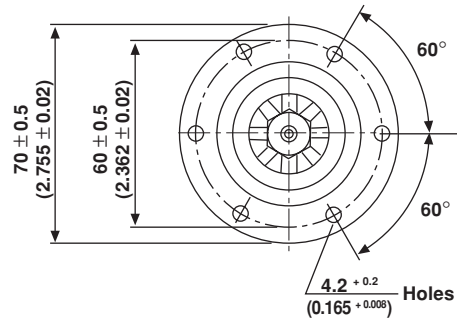
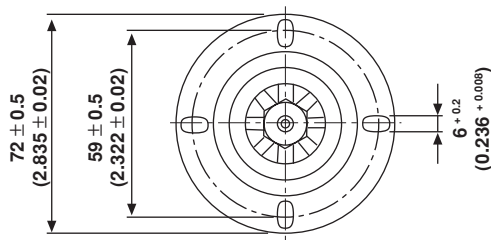
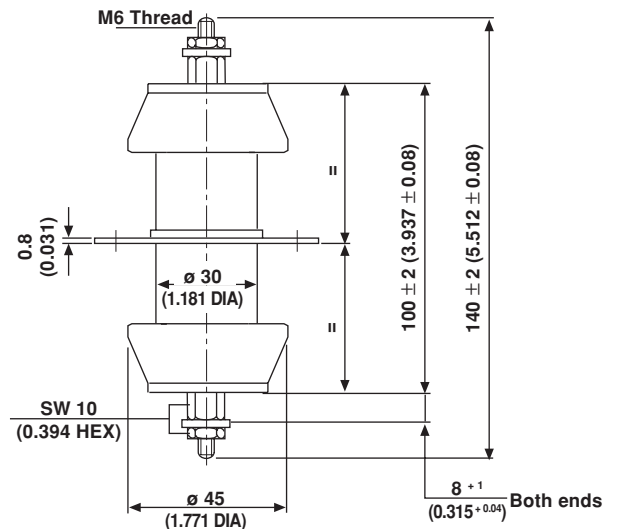


Feed-Through Capacitors with Conductor Rod

DB 030088 10KV_p



DB 030100 7KV_p to 8KV_p



• Dimensions in millimeters (inches)

MATERIAL:

Capacitor elements made from Class 1 ceramic dielectric with noble metal electrodes.
Connection Terminals: Copper/brass, silver plated.

FINISH:

Noble metal electrodes completely lacquered. Contoured rims glazed.

MARKING:

Type designator, Capacitance value and tolerance, Rated voltage (peak value), Production date code, Ceramic material code, DRALORIC Logo.

ACCESSORIES ADDED:

Hex. nuts and washers

ORDERING INFORMATION

DF 030100	8KV _p	1200pF	$\pm 20\%$	R 85
MODEL	RATED VOLTAGE	CAPACITANCE VALUE	TOLERANCE	CERAMIC



DB 030088				
CERAMIC	CAPACITANCE VALUE [pF]	RATED VOLTAGE [KV_p]	RATED POWER [KVA_r]	RATED CURRENT [A_{RMS}]
R 16	150	10	80	30
R 85	1000	10	60	30
R 230	2000	10	60	30
	2500			

Feed-through current DC or low frequency RMS current (< 20KHz): 30 A

DB 030100				
CERAMIC	CAPACITANCE VALUE [pF]	RATED VOLTAGE [KV_p]	RATED POWER [KVA_r]	RATED CURRENT [A_{RMS}]
R 7	100	8	30	30
R 16	120			
	160			
	200			
R 42	250	8	30	30
	300			
	400			
	500			
R 85	600	8	30	30
	800			
	1000			
	1200			
	1500	7		

Feed-through current DC or low frequency RMS current (<20 KHz): 30 A

CAPACITANCE TOLERANCES: ± 20%, ± 10%, ± 5%.



Notice

Specifications of the products displayed herein are subject to change without notice. Vishay Intertechnology, Inc., or anyone on its behalf, assumes no responsibility or liability for any errors or inaccuracies.

Information contained herein is intended to provide a product description only. No license, express or implied, by estoppel or otherwise, to any intellectual property rights is granted by this document. Except as provided in Vishay's terms and conditions of sale for such products, Vishay assumes no liability whatsoever, and disclaims any express or implied warranty, relating to sale and/or use of Vishay products including liability or warranties relating to fitness for a particular purpose, merchantability, or infringement of any patent, copyright, or other intellectual property right.

The products shown herein are not designed for use in medical, life-saving, or life-sustaining applications. Customers using or selling these products for use in such applications do so at their own risk and agree to fully indemnify Vishay for any damages resulting from such improper use or sale.