

Full Size Clock Oscillators TTL/HCMOS Compatible



The XO-543 series is with 3.3V power supply. The metal package with pin #7 case ground acts as shielding to minimize EMI radiation.

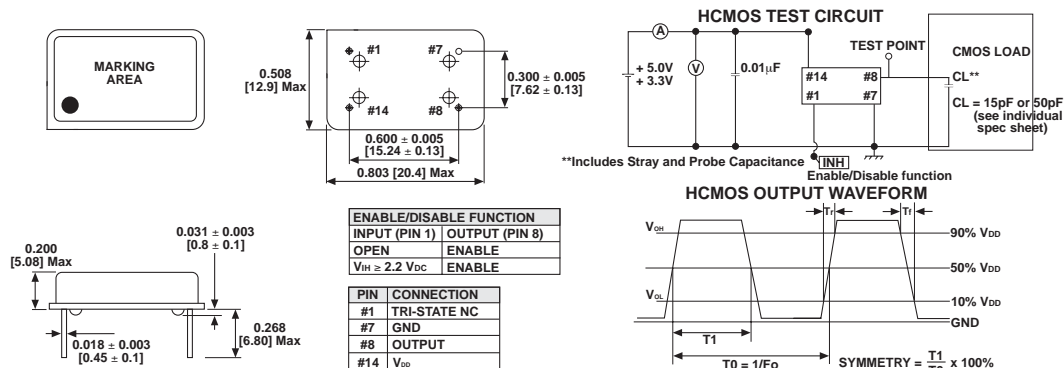
FEATURES

- 14 pin full size
- Industry standard
- Wide frequency range
- Low cost
- Tri-State enable/disable
- Resistance weld package
- 3.3V

STANDARD ELECTRICAL SPECIFICATIONS			
PARAMETER	SYMBOL	CONDITION	XO-543
Frequency Range	F_0		1MHz ~ 125.00MHz
Frequency Stability*		All Condition*	$\pm 25\text{ppm}$, $\pm 50\text{ppm}$, $\pm 100\text{ppm}$
Operating Temperature Range	T_{OPR}		$0^\circ\text{C} \sim 70^\circ\text{C}$ ($-40^\circ\text{C} \sim +85^\circ\text{C}$ option)
Storage Temperature Range	T_{STG}		$-55^\circ\text{C} \sim +125^\circ\text{C}$
Power Supply Voltage	V_{DD}		$3.3\text{V} \pm 10\%$
Aging (first year)		$25^\circ\text{C} \pm 3^\circ\text{C}$	$\pm 5\text{ppm}$
Supply Current	I_{DD}	$1\text{MHz TO } 23.999\text{MHz}$	15mA Max
		$24.000\text{MHz TO } 49.999\text{MHz}$	20mA Max
		$50.000\text{MHz TO } 69.999\text{MHz}$	30mA Max
		$70.000\text{MHz TO } 125.000\text{MHz}$	45mA Max
Output Symmetry	Sym	$1/2V_{DD}$	40/60%(45/55% option)
Rise Time	T_r	$10\%V_{DD} \sim 90\%V_{DD}$	8 nS Max
Fall Time	T_f	$90\%V_{DD} \sim 10\%V_{DD}$	8 nS Max
Output Voltage	V_{OH}		$90\% V_{DD}$ Min
	V_{OL}		$10\% V_{DD}$ Max
Output Load	TTL Load		1 ~ 5TTL
	HCMOS load		$\sim 50\text{M} : 30\text{pF}$ $\sim 125\text{M} : 15\text{pF}$
Start-up Time		T_s	10mS Max
Pin 1, Tri-State Function			Pin 1 = H or open.... Output active at pin 8 Pin 1 = L.... High Impedance at pin 8

*Include: 25°C tolerance, operating temperature range, input voltage change, aging, load change, shock and vibration.

DIMENSIONS in millimeters



ORDERING INFORMATION

XO-543 MODEL	B FREQUENCY STABILITY	R OTR	E ENABLE/DISABLE	40M FREQUENCY/MHZ
	AA = 0.0025% (25PPM) A = 0.005% (50PPM) B = 0.01% (100PPM)	Blank = 0°C to $+70^\circ\text{C}$ R = -40°C to $+85^\circ\text{C}$	Blank = Pin 1 open E = Disable or Tristate	