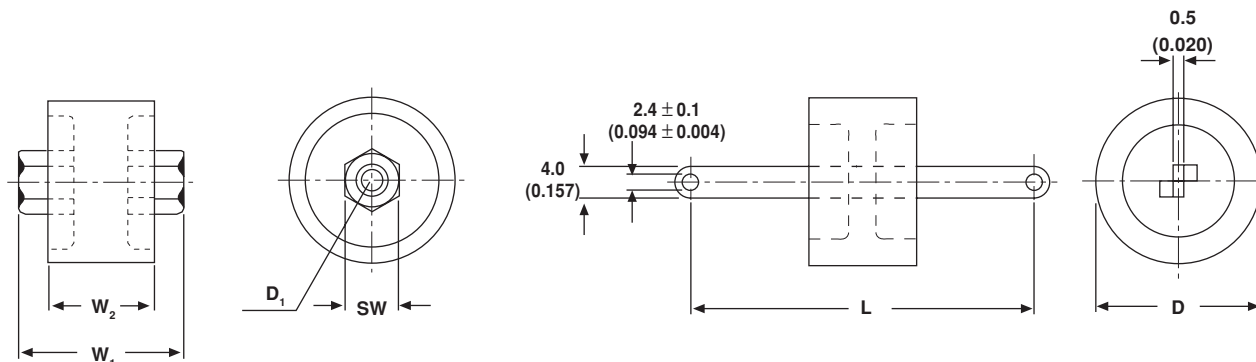


Barrel-Style Capacitors - Class 1 Ceramic

TOS 016010 5KV_p
TOS 025016 9KV_p

TOF 016010 5KV_p
TOF 025016 9KV_p



• Dimensions in millimeters (inches)

MODEL	TOF 016010	TOS 016010	TOF 025016	TOS 025016
D	16 (0.630)	16 (0.630)	25 (0.984)	25 (0.984)
D ₁		M 5 thread 4.5 (0.177) depth		M 6 thread 7 (0.276) depth
W ₁		23 max. (0.906 max.)		35 max. (1.378 max.)
W ₂	10 (0.394)	10 (0.394)	16 (0.630)	16 (0.630)
L	49 max. (1.929 max.)		55 max. (2.165 max.)	
SW		8.0 (0.315)		10 (0.394)

MATERIAL:

Capacitor elements made from Class 1 ceramic dielectric with noble metal electrodes.

Connection Terminals: Copper/brass, silver plated.

FINISH:

Noble metal electrodes and insulating rim completely lacquered.

MARKING:

Type designator, Capacitance value and tolerance, Rated voltage (peak value), Production date code, Ceramic material code, DRALORIC Logo.

INSTALLATION GUIDELINES:

We recommend the use of a wrench when tightening and fastening screws of the TOS model.

ORDERING INFORMATION

TOS 025016	19KV _p	100pF	± 20%	R 85
MODEL	RATED VOLTAGE	CAPACITANCE VALUE	TOLERANCE	CERAMIC



TOF 016010, TOS 016010				
CERAMIC	CAPACITANCE VALUE [pF]	RATED VOLTAGE [KV_P]	RATED POWER* [KVA_r]	RATED CURRENT [A_{RMS}]
R 7	1.5	5	3	max. 3
	2			
	3			
	4			
R 42	5	5	4	max. 4
	6			
	7			
	8			
	10			
	12			
	16			
R 85	20	5	4	max. 5
	25			
	30			
	40			
	50			
TOF 025016, TOS 025016				
R 7	2	9	5	max. 5
	3			
	4			
	5			
	6			
	7			
R 16	8	9	8	max. 6
	10			
R 42	12	9	8	max. 6
	16			
	20			
	25			
R 85	30	9	10	max. 10
	40			
	50			
	60			
	70			
	80			
	100			

*The surface temperature of 100°C must not be exceeded

CAPACITANCE TOLERANCES:
 < 10pF: ± 2pF, ± 1pF, ± 0.5pF
 ≥ 10pF: ± 20%, ± 10%, ± 5%



Notice

Specifications of the products displayed herein are subject to change without notice. Vishay Intertechnology, Inc., or anyone on its behalf, assumes no responsibility or liability for any errors or inaccuracies.

Information contained herein is intended to provide a product description only. No license, express or implied, by estoppel or otherwise, to any intellectual property rights is granted by this document. Except as provided in Vishay's terms and conditions of sale for such products, Vishay assumes no liability whatsoever, and disclaims any express or implied warranty, relating to sale and/or use of Vishay products including liability or warranties relating to fitness for a particular purpose, merchantability, or infringement of any patent, copyright, or other intellectual property right.

The products shown herein are not designed for use in medical, life-saving, or life-sustaining applications. Customers using or selling these products for use in such applications do so at their own risk and agree to fully indemnify Vishay for any damages resulting from such improper use or sale.