

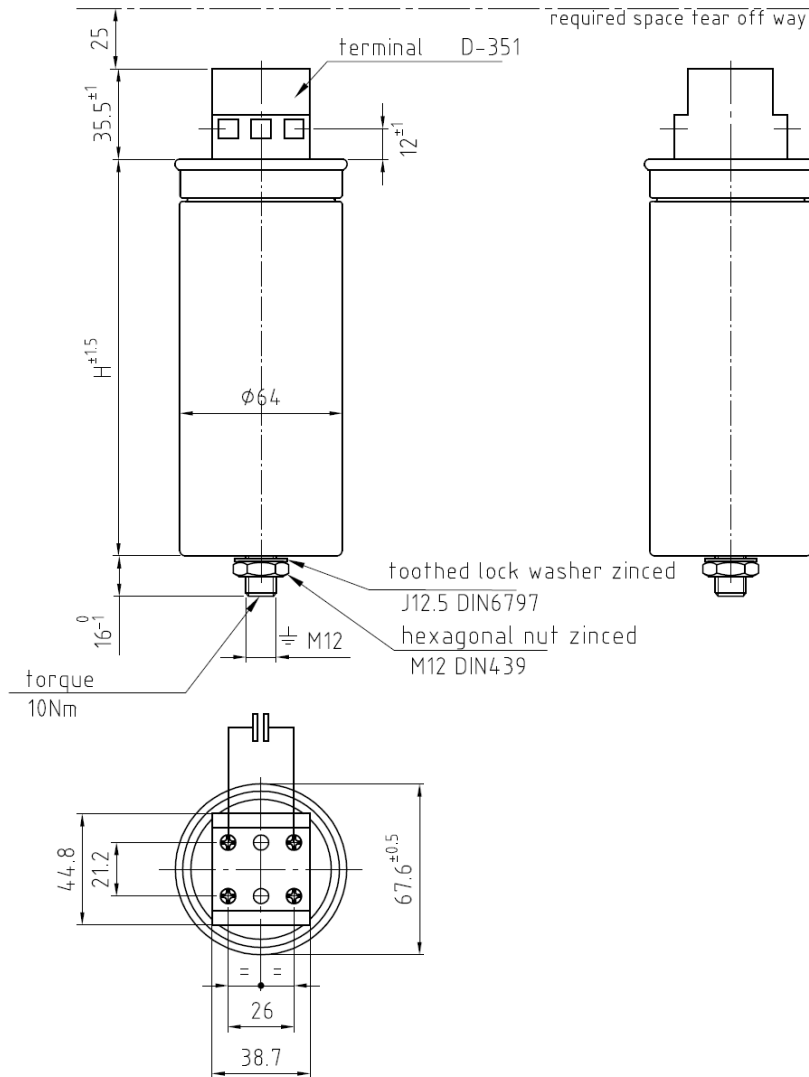


DATASHEET
(preliminary)

Capacitor Type:	PhMKP440.3.08,33-A64 / SAP # 5341-48310-01	ESTAprop
Construction:	Low voltage capacitor. Cylindrical casing with ALL-PHASE overpressure tear-off fuse (irreversible current interruption)	
Urms:	440 VAC	
Umax/rms:	450 VAC	
Frequency:	50 Hz	
Output:	8.33 kVAr	
Capacitance:	3 x 45.7 uF	
Tolerance/Capacitance:	+5 %	
Imax:	3 x 56 A	
Test voltage		
Terminal / terminal:	2.15 x Ucn VAC, 2 s routine test, 10 s type test	
Terminal / casing:	4800 VAC, 2 s routine test, 60 s type test	
Inrush current:	300 times rated current In	
Losses (at 50 Hz):	0.2 W / kVAr without discharge resistors	
Temperature class:	-25°C / D (max. 55°C)	
Casing Temperature:	max. 65°C measured on top of the can	
Discharge resistor:	externally attached, IP20, discharging to < = 50V within 60 seconds	
Life expectancy:	> 150 000 operating h	
Dielectric:	polypropylene film, self-healing	
Filling agent:	natural oil, non-PCB, biodegradable	
Casing material:	aluminum	
Connection:	3-phase	
Cooling:	naturally air-cooled	
Relative humidity:	max. 95%	
Maximum altitude:	2000 m above sea level	
Protection class:	IP20, indoor mounting	
Mounting position:	vertical and horizontal	
Terminal:	M5 hex key, block A / D-351, IP20 up to 16 mm ² , max. torque 2 Nm	
Mounting / grounding:	threaded bolt M12 at the bottom of the container, max. torque 10 Nm	
Dimensions:	(D) 64 x (H) 190 mm	
Weight:	0.8 kg	
Standard:	IEC 60831-1+2, EN 60831-1+2, UL/ULC Approval – FILE E97723	 
<u>Please click here for ZVEI safety instructions.</u>		



Notice

Specifications of the products displayed herein are subject to change without notice. Vishay Intertechnology, Inc., or anyone on its behalf, assumes no responsibility or liability for any errors or inaccuracies. Information contained herein is intended to provide a product description only. No license, express or implied, by estoppel or otherwise, to any intellectual property rights is granted by this document. Except as provided in Vishay's terms and conditions of sale for such products, Vishay assumes no liability whatsoever, and disclaims any express or implied warranty, relating to sale and/or use of Vishay products including liability or warranties relating to fitness for a particular purpose, merchantability, or infringement of any patent, copyright, or other intellectual property right. The products shown herein are not designed for use in medical, life-saving, or life-sustaining applications. Customers using or selling these products for use in such applications do so at their own risk and agree to fully indemnify Vishay for any damages resulting from such improper use or sale.

Statements about product lifetime and FIT rate are based on calculations, field data and internal testing. They should only be interpreted as estimations. Also, due to external factors, the lifetime and FIT rate in the field application may deviate from the calculated values. In general, nothing stated herein shall be construed as a guarantee of quality or durability.

Revision 14-June-2017 / michael.kopp@vishay.com

Vishay Europe Sales GmbH

Dr.-Felix-Zandman-Platz 1, D-95100 Selb, Germany, Phone (+49) 9287 71-0, Fax (+49) 9287 70435
 Amtsgericht/County Court Hof HRB 2894, Geschäftsführer/Managing Directors: Stefan Fischer, Werner Gebhardt, Arnold Rohr.
www.vishay.com

ONE OF THE WORLD'S LARGEST MANUFACTURERS OF DISCRETE SEMICONDUCTORS AND PASSIVE COMPONENTS