



VISHAY INTERTECHNOLOGY, INC.

SELECTOR GUIDE



ESTAdry "D"-TYPE CAPACITOR

Triangular Shaped

Power Factor Correction Capacitors

Low Voltage

383
ESTAdry[®]
PMAKEDS 400 V 50.00
50 Hz 50.0 kvar 50 Hz
400 V 50.0 kvar 50.0 kvar
Temp. -25°C -25°C
- V - kvar - kvar
Temp. - -
3'331.0 µF SH NON PCS
UL 815KV 1 min/50V
overpressure disconnect
IEC / EN 60631-1+2 Germany
tight torque 12 Nm M 8/10/12
www.vishay.com

ESTAdry D-Type Capacitor

Vishay Electronic GmbH

Division ESTA

Hofmark-Aich-Strasse 36

84030 Landshut

Germany

Phone: +49-871-86-0

Fax: +49-871-86-25-12

www.vishay.com

NOTICE

The information in this catalog has been carefully checked for accuracy, and though it is believed to be correct, no warranty, either express or implied, is made as to either its applicability to, or its compatibility with, specific requirements; nor does Vishay Intertechnology, Inc. and its affiliates assume any responsibility for correctness of this information, nor for damages consequent to its use.

All such printed materials are not legally binding unless confirmed in writing pursuant to §§463 and 480 11 of the German Code of Civil Law.

Warning Regarding Life Support Applications

Not all products listed in this catalog are generally recommended for use in life support systems where a failure or malfunction of the component may directly threaten life or cause injury.

The user of products in such applications assumes all risks of such use and will agree to hold Vishay Intertechnology, Inc. and all the companies whose products are represented in this catalog, harmless against all damages.



General Information	2
D-Type Capacitor For Indoor Use (PhMKDg)	3
D-Type Capacitor For Outdoor Use (PhMKDgF)	5

ESTAdry D-Type Capacitor

PhMKDg SERIES ESTAdry D-TYPE METALLIZED POLYPROPYLENE, DRY DIELECTRIC

3-phase Power Factor Correction Capacitors in triangular aluminium casing

APPLICATION

The new PhMKDg series capacitor in a triangular aluminium case with a standard rating of 50 kvar, augments our broad line of reliable three-phase power capacitors. The new PhMKDg series is preceded by our ESTAprop (Metallized Polypropylene, Impregnated) PhMKP series and the ESTAdry (Metallized Polypropylene, Dry Dielectric) PhMKPg series in aluminium tubular casings, with outputs up to 30 kvar, depending on their rated voltage.

The standard PhMKDg series capacitor is designed for indoor application, with externally arranged discharge resistors. For outdoor application, the discharge resistors can be incorporated internally. Also, our pure aluminium welded cases render these capacitors perfectly suitable for outdoor use.

The PhMKDg capacitor can be used for both controlled equipment and for stationary or mobile fixed compensation, e.g. for induction-motor-operated conveyer belts in the mining industry.

This capacitor can be supplied with the option of a small protective cover for each individual connection or with an IP54-type overall protective cover.

PhMKDg DESIGN OBJECTIVES

The following requirements led to the development of the PhMKDg design:

- 3-phase symmetric construction
- Maintain a small case design winding element diameter of the 84 mm round, which has proved its reliability in thermal behavior and life expectancy, to avoid hot spots in the winding core. For the interconnection between winding elements, no additional transmission lines shall run within the winding core.
- Avoid the insulation risks of high energy short circuits between line terminals, that might be caused by using

concentric winding elements. Using individual winding elements with end-covers to assure highest strength against internal short circuits.

- Low profile construction height of 210 mm (+ 68 mm for terminals) with minimal winding element diameters, output performance of 50 kvar and the possibility of increasing the element height to allow for an increase in the output. Therefore, the winding elements are all arranged on one plane and not one above the other, as typically found in our tubular can designs.
- Enlarged surface area achieves optimal heat dissipation by arranging the winding elements in the three “corners” of the triangular case.
- Thermal balance is maintained through the use of a resin with excellent thermal conductance.
- A stable and elastic position for the winding elements is provided, allowing them to withstand strong vibrations. In addition, our casting technique allows for the installation and operation of the PhMKDg capacitor in any position.
- Perfect functioning of the THREE-phase tear-off fuse system by the channel formation between the casting unit and the casting wall, to accomplish the pressure build-up required at the capacitor’s cover. By use of vault surfaces at the flat casing walls versus round casings, this design incorporates an internal venting system, which facilitates the reliable functioning of the THREE-phase tear-off fuse system.

The triangular case and corresponding triangular arrangement of the winding elements allows for simple connection in parallel of several units (IN-LINE). The joint insulation created by means of a solid ceramic terminal base with high surface-creepage resistance and very long tracking paths establishes an additionally superior mechanical stability for the three solid connector bolts.

With a resin filled pure aluminium case offering superior mechanical stability, low profile design, excellent thermal conductance, easy paralleling and a complete three-phase tear-off fuse system incorporated into the PhMKDg design, this series is the ideal first choice for new designs and applicable retrofit requirements.

ESTAdry D-Type Capacitor For Indoor Use



IP53

ESTAdry D-TYPE THREE PHASE MK-POWER CAPACITOR ACCORDING TO DIN EN 60831-1/-2 FOR INDOOR APPLICATION

MK = Metallized Plastic Film Dielectric.

ESTAdry MK-type capacitor for power factor correction in low voltage systems.

RATED VOLTAGES

400 V, 415 V, 440 V, 460 V, 525 V, 690 V, 760 V

RATED FREQUENCY

50 Hz*

* Can also be used for 60 Hz. The output will be 1.2 times higher. A lower class of temperature might be taken into account.

RATED OUTPUT

50 kvar, other outputs upon request

CASING

Aluminum, welded and hermetically sealed

DEGREE OF PROTECTION

IP00, Indoor (higher degrees of protection up to IP54 upon request)

STANDARDS

DIN EN 60831-1/-2, IEC60831-1/-2 (VDE 0560-46/-47)

LOSSES (INCLUDING DISCHARGE RESISTORS)

Less than 0.45 watt per kvar at upper temperature limit

DIELECTRIC

Polypropylene film

IMPREGNANT

Without, dry type, NON-PCB, NON-toxic

ELECTRODES

Self-healing

SAFETY DEVICES

Self-healing dielectric and overpressure tear-off fuses external discharge resistors for $U \leq 50$ V, $t = 60$ s (for IP00 version)

TEMPERATURE CLASS

- 25/D (max. 55 °C), (- 40/D upon request)

SHELF TEMPERATURE

- 40/+ 70 °C

SWITCH-IN-CURRENT

Max. $300 \times I_N$

INSULATION

6/15 kV

TESTS

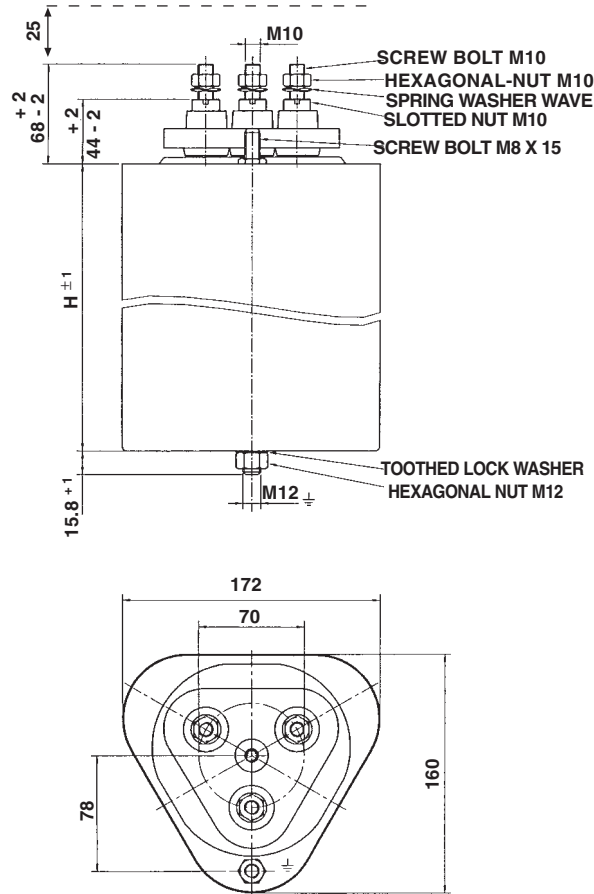
Terminal/Terminal: $2.15 \times U_N/2$ seconds

Terminal/Casing: 6000V/2 seconds

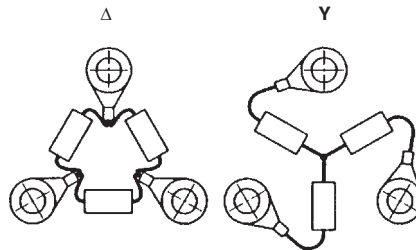
RECOMMENDED TORQUES

STYLE	RECOMMENDED TORQUE
Terminals M8	6 Nm
Terminals M10	10 Nm
M12 mounting stud	10 Nm

REQUIRED SPACE FOR BULGING



DISCHARGE RESISTORS



TYPE	RATED VOLTAGE [V]	RATED OUTPUT [KVAR]	CAPACITANCE [μF]	CURRENT [A]	WEIGHT [KG]	HEIGHT H [mm]
PHMKDG 400.3.50	400	50	3 x 331.6 Δ	72	app. 4.9	210
PHMKDG 415.3.40	415	40	3 x 246.4 Δ	56	app. 4.9	210
PHMKDG 415.3.50	415	50	3 x 308.0 Δ	70	app. 4.9	210
PHMKDG 440.3.50	440	50	3 x 274.0 Δ	66	app. 4.9	210
PHMKDG 440.3.56, 2	440	56.2	3 x 308.0 Δ	74	app. 4.9	210
PHMKDG 460.3.50	460	50	3 x 250.7 Δ	63	app. 4.9	210
PHMKDG 525.3.50	525	50	3 x 192.5 Δ	55	app. 4.9	210
PHMKDG 690.2.50	690	50	3 x 334.3 Y	42	app. 4.9	210
PHMKDG 760.2.50	760	50	3 x 275.5 Y	38	app. 4.9	210

ESTAdry D-Type Capacitor For Outdoor Use



ESTAdry D-TYPE THREE PHASE MK-POWER CAPACITOR ACCORDING TO DIN EN 60831-1/-2 FOR OUTDOOR APPLICATION

MK = Metallized Plastic Film Dielectric

ESTAdry MK-type capacitor for power factor correction in low voltage systems

RATED VOLTAGES

400 V, 415 V, 440 V, 460 V, 525 V, 690 V, 760 V

RATED FREQUENCY

50 Hz*

RATED OUTPUT

50 kvar, other outputs upon request

CASING

Aluminum, welded and hermetically sealed

DEGREE OF PROTECTION

IP00, Outdoor

STANDARDS

DIN EN 60831-1/-2, IEC60831-1/-2 (VDE 0560-46/-47)

LOSSES (INCLUDING DISCHARGE RESISTORS)

Less than 0.40 watt per kvar at upper temperature limit

DIELECTRIC

Polypropylene film

IMPREGNANT

Without, dry type, NON-PCB, NON-toxic

ELECTRODES

Self-healing

SAFETY DEVICES

Self-healing dielectric and overpressure tear-off fuses internal discharge resistors for $U \leq 75 \text{ V}$, $t = 180 \text{ s}$

TEMPERATURE CLASS

- 25/D (max. 55 °C), (- 40/D upon request)

SHELF TEMPERATURE

- 40/+ 70 °C

SWITCH-IN-CURRENT

Max. $300 \times I_N$

INSULATION

6/25 kV

TESTS

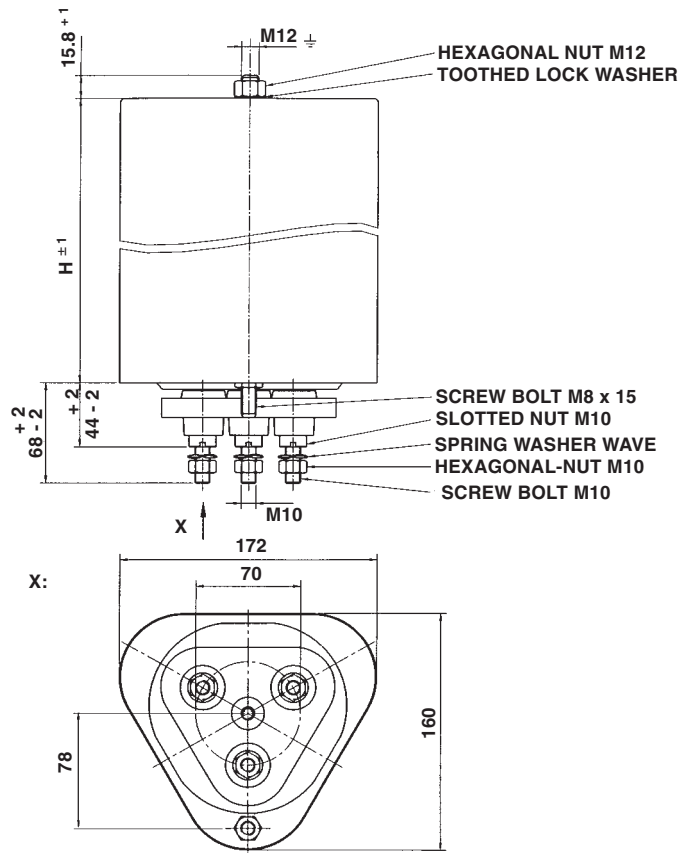
Terminal/Terminal: $2.15 \times U_N/2$ seconds

Terminal/Casing: 6000 V/2 seconds

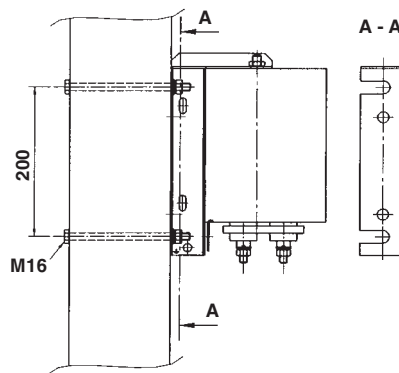
RECOMMENDED TORQUES

STYLE	RECOMMENDED TORQUE
Terminals M8	6 Nm
Terminals M10	10 Nm
M12 mounting stud	10 Nm

* Can also be used for 60 Hz. The output will be 1.2 times higher. A lower class of temperature might be taken into account.



ACCESSORIES: SUPPORT FOR POLE AND WALL MOUNTING



Available types same as for indoor use, different type designation "F".

For example:

TYPE	RATED VOLTAGE [V]	RATED OUTPUT [kvar]	CAPACITANCE [μ F]	CURRENT [A]	WEIGHT [kg]	HEIGHT H [mm]
PhMKDgF 460.3.50	460	50	3 x 250.7 Δ	63	app. 4.9	210

WORLDWIDE SALES CONTACTS

DISCRETE SEMICONDUCTORS AND PASSIVE COMPONENTS

THE AMERICAS

VISHAY AMERICAS

2100 WEST FRONT STREET
STATESVILLE, NC 28677
UNITED STATES
PH: +1-704-872-8101
FAX: +1-704-873-8847

ASIA

VISHAY INTERTECHNOLOGY ASIA PTE LTD.

25 TAMPINES STREET 92
KEPPEL BUILDING #02-00
SINGAPORE 528877
PH: +65-6788-6668
FAX: +65-6788-0988

JAPAN

VISHAY JAPAN CO., LTD.

GE EDISON BUILDING, SHIBUYA 3F
3-5-16 SHIBUYA
SHIBUYA-KU
TOKYO 150-0002
JAPAN
PH: +81-3-5464-6411
FAX: +81-3-5464-6433

EUROPE

VISHAY ELECTRONIC GmbH

DIVISION ESTA
HOFMARK-AICH-STRASSE 36
84030 LANDSHUT
GERMANY
PH: +49-871-86-0
FAX: +49-871-86-25-06

VISHAY S.A.

4, RUE DE SALONIQUE
95101 ARGENTEUIL
FRANCE
PH: +33-1-39-98-22-00
FAX: +33-1-39-98-22-05

VISHAY LTD.

PALLION INDUSTRIAL ESTATE
SUNDERLAND, SR4 6SU
GREAT BRITAIN
PH: +44-191-514-4155
FAX: +44-191-567-8262



**ONE OF THE WORLD'S LARGEST MANUFACTURERS OF
DISCRETE SEMICONDUCTORS AND PASSIVE COMPONENTS**

Discrete Semiconductors: Diodes and Rectifiers • MOSFETs • RF Transistors • Optoelectronics • Power ICs

Passive Components: Capacitors • Resistive Products • Magnetics

Integrated Modules: DC/DC Converters

Strain Sensors and Transducers: Strain Gages and Instruments • PhotoStress® Instruments • Transducers

www.vishay.com