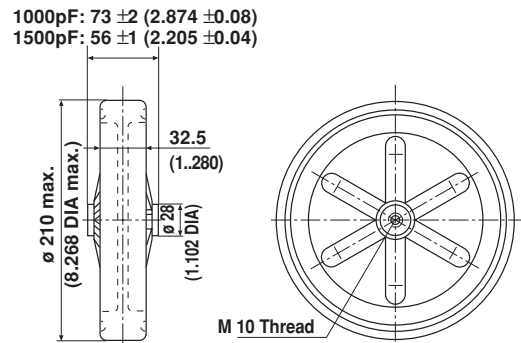
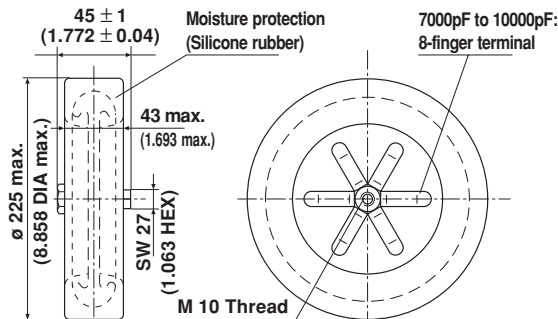


## Plate Capacitors with Moisture Protection

### Plate Capacitors for Higher Voltages

**PEF 220 12KV<sub>p</sub> to 20KV<sub>p</sub>**
**FPE 210 30KV<sub>p</sub>**


• Dimensions in millimeters (inches)

<b>PEF 220</b>				
CERAMIC	CAPACITANCE VALUE [pF]	RATED VOLTAGE [KV <sub>p</sub> ]	RATED POWER* [KVA <sub>r</sub> ]	RATED CURRENT [A <sub>RMS</sub> ]
R 7	160	20	110	60
	200			
	250			
	300			
	400			
R 16	500	18	140	60
	600	16		
R 42	800	20	140	60
	1000			
	1200			
	1600			
R 85	2000	20	140	60
	2500			
	3000			
	4000			
	5000			
R 230	6000	20	140	60
	7000	15		100
	8000			
	10000			
<b>FPE 210</b>				
R 85	1000	30	max. 160	max. 60
	1500		max. 90	max. 90

\*The surface temperature of 100°C must not be exceeded

**CAPACITANCE TOLERANCES:** ± 20%, ± 10%

**MATERIAL:**

Capacitor elements made from Class 1 ceramic dielectric with noble metal electrodes.

Connection Terminals: Copper/brass, silver plated.

**FINISH:**

Noble metal electrodes completely lacquered. Flat rim glazed. Contoured rim with additional moisture protection at model PEF 220.

**MARKING:**

Type designator, Capacitance value and tolerance, Rated voltage (peak value), Production date code, Ceramic material code, DRALORIC Logo.

<b>ORDERING INFORMATION</b>				
FPE 210	30KV <sub>p</sub>	1000pF	± 10%	R 85
MODEL	RATED VOLTAGE	CAPACITANCE VALUE	TOLERANCE	CERAMIC