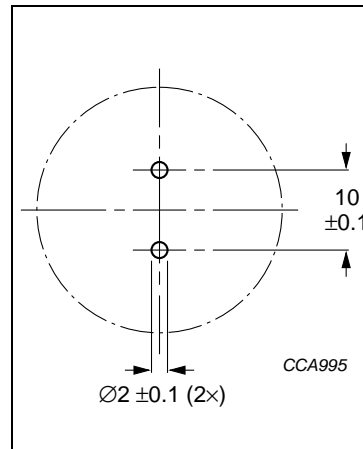
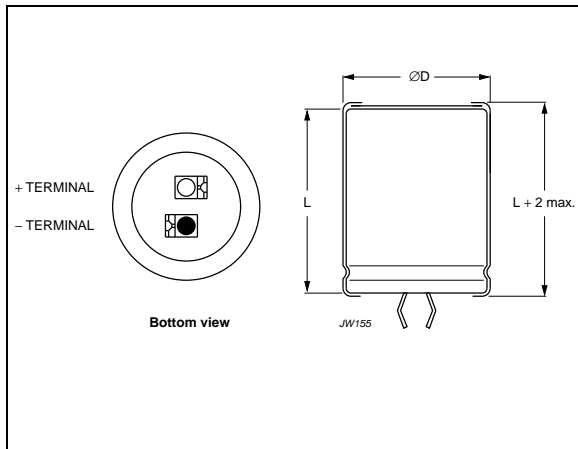


**Aluminum Capacitor: 330 μ F/500 V
193 PUR-SI series 35x40 mm/105 °C**

MAL219390102E3

Customer:

Cust. Partnr.:



MECHANICAL DATA

FORM: 2 terminal Snap-In, 5.3 ± 0.5 mm

PACKING QUANTITY: 50 units / box

Ø D_{nom} x L_{nom} : 35 x 40 mm

Lead (Pb) free

Ø D_{max} x L_{max} : 36 x 42 mm

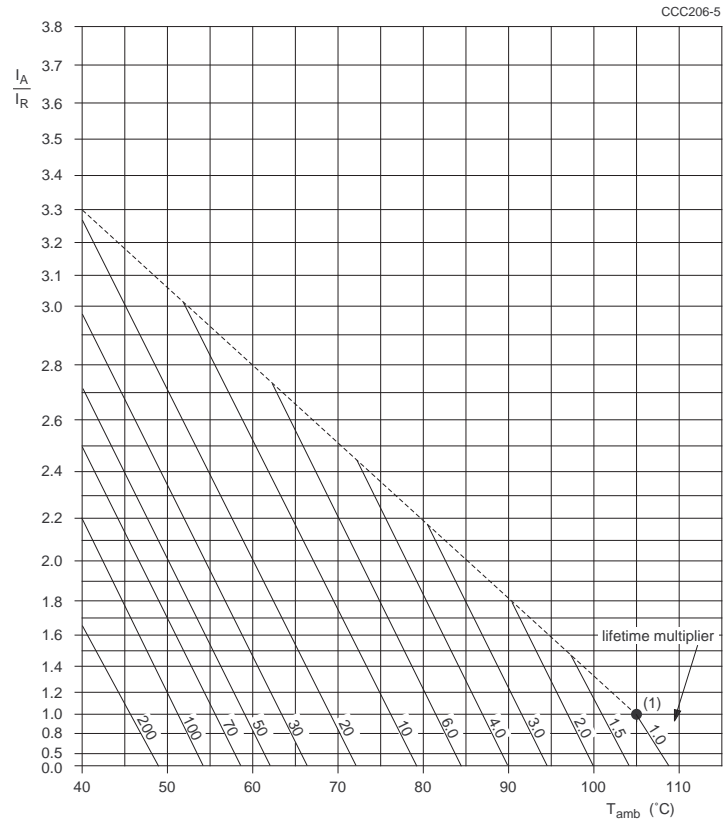
Can insulated with a blue PVC-sleeve

ELECTRICAL DATA (at 20 °C, unless otherwise specified)

Rated capacitance, C _R at 100 Hz	330 μ F
Tolerance on C _R	-20/+20 %
Rated voltage, U _R	500 V
Rated temperature range	-25 °C to + 50 °C
Category voltage U _C	450 V
Category temperature range	- 25 °C to + 105 °C
Rated ripple current at 100 Hz, 105 °C	2.25 A
Useful life at U _C , 105 °C, I _R applied	> 6,000 h
Useful life at U _a = 400V; 105 °C, I _R applied	> 10,000 h
Useful life at U _R , 50°C, no ripple applied	> 5,000 h
Max. ESR at 100 Hz	600 m Ω
Max. impedance at 10 kHz	400 m Ω
Max. leakage current after 1 minute U _C	0.9 mA



RIPPLE CURRENT AND USEFUL LIFE



I_A = actual ripple current at 100 Hz
 I_R = rated ripple current at 100 Hz and 105 °C

⁽¹⁾ Useful life at U_C , 105 °C and I_R applied: > 6000 h

MULTIPLIER OF RIPPLE CURRENT (I_R) AS A FUNCTION OF FREQUENCY	
FREQUENCY (Hz)	I_R MULTIPLIER
50	0.8
100	1.0
200	1.2
400	1.5
1000	1.7
≥ 10000	1.9



Disclaimer

All product specifications and data are subject to change without notice.

Vishay Intertechnology, Inc., its affiliates, agents, and employees, and all persons acting on its or their behalf (collectively, "Vishay"), disclaim any and all liability for any errors, inaccuracies or incompleteness contained herein or in any other disclosure relating to any product.

Vishay disclaims any and all liability arising out of the use or application of any product described herein or of any information provided herein to the maximum extent permitted by law. The product specifications do not expand or otherwise modify Vishay's terms and conditions of purchase, including but not limited to the warranty expressed therein, which apply to these products.

No license, express or implied, by estoppel or otherwise, to any intellectual property rights is granted by this document or by any conduct of Vishay.

The products shown herein are not designed for use in medical, life-saving, or life-sustaining applications unless otherwise expressly indicated. Customers using or selling Vishay products not expressly indicated for use in such applications do so entirely at their own risk and agree to fully indemnify Vishay for any damages arising or resulting from such use or sale. Please contact authorized Vishay personnel to obtain written terms and conditions regarding products designed for such applications.

Product names and markings noted herein may be trademarks of their respective owners.