

## ESTAdry D-Type Capacitor For Outdoor Use



### ESTAdry D-TYPE THREE PHASE MK-POWER CAPACITOR ACCORDING TO DIN EN 60831-1/-2 FOR OUTDOOR APPLICATION

MK = Metallized Plastic Film Dielectric

ESTAdry MK-type capacitor for power factor correction in low voltage systems

#### RATED VOLTAGES

400 V, 415 V, 440 V, 460 V, 525 V, 690 V, 760 V

#### RATED FREQUENCY

50 Hz\*

#### RATED OUTPUT

50 kvar, other outputs upon request

#### CASING

Aluminum, welded and hermetically sealed

#### DEGREE OF PROTECTION

IP00, Outdoor

#### STANDARDS

DIN EN 60831-1/-2, IEC60831-1/-2 (VDE 0560-46/-47)

#### LOSSES (INCLUDING DISCHARGE RESISTORS)

Less than 0.40 watt per kvar at upper temperature limit

#### DIELECTRIC

Polypropylene film

#### IMPREGNANT

Without, dry type, NON-PCB, NON-toxic

#### ELECTRODES

Self-healing

#### SAFETY DEVICES

Self-healing dielectric and overpressure tear-off fuses internal discharge resistors for  $U \leq 75$  V,  $t = 180$  s

#### TEMPERATURE CLASS

- 25/D (max. 55 °C), (- 40/D upon request)

#### SHELF TEMPERATURE

- 40/+ 70 °C

#### SWITCH-IN-CURRENT

Max.  $300 \times I_N$

#### INSULATION

6/25 kV

#### TESTS

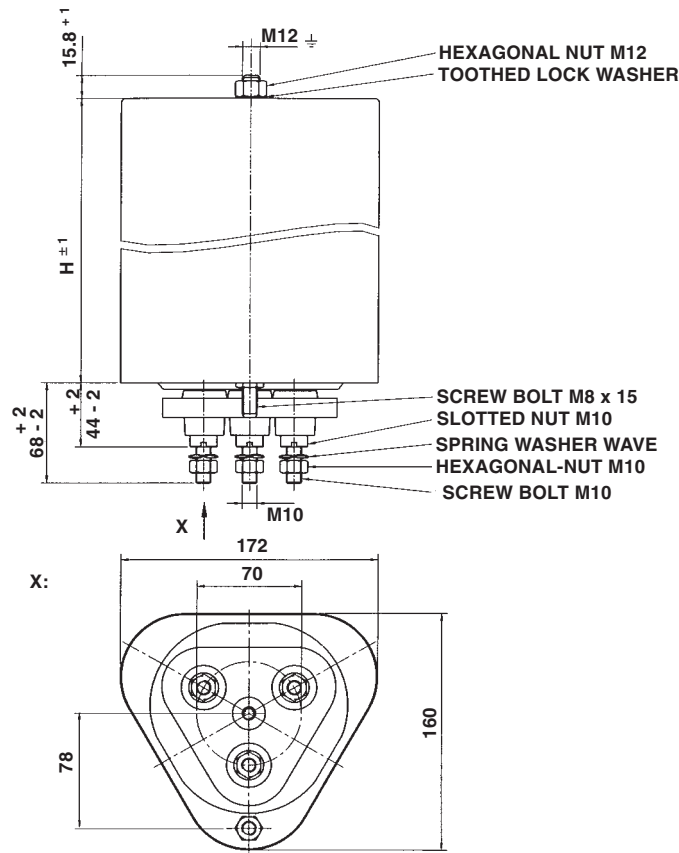
Terminal/Terminal:  $2.15 \times U_N/2$  seconds

Terminal/Casing: 6000 V/2 seconds

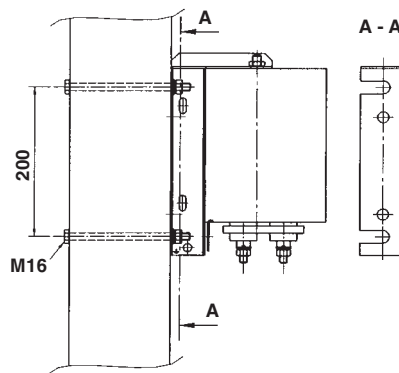
#### RECOMMENDED TORQUES

STYLE	RECOMMENDED TORQUE
Terminals M8	6 Nm
Terminals M10	10 Nm
M12 mounting stud	10 Nm

\* Can also be used for 60 Hz. The output will be 1.2 times higher. A lower class of temperature might be taken into account.



**ACCESSORIES: SUPPORT FOR POLE AND WALL MOUNTING**



Available types same as for indoor use, different type designation "F".

For example:

TYPE	RATED VOLTAGE [V]	RATED OUTPUT [kvar]	CAPACITANCE [ $\mu$ F]	CURRENT [A]	WEIGHT [kg]	HEIGHT H [mm]
PhMKDgF 460.3.50	460	50	3 x 250.7 $\Delta$	63	app. 4.9	210



## Disclaimer

All product specifications and data are subject to change without notice.

Vishay Intertechnology, Inc., its affiliates, agents, and employees, and all persons acting on its or their behalf (collectively, "Vishay"), disclaim any and all liability for any errors, inaccuracies or incompleteness contained herein or in any other disclosure relating to any product.

Vishay disclaims any and all liability arising out of the use or application of any product described herein or of any information provided herein to the maximum extent permitted by law. The product specifications do not expand or otherwise modify Vishay's terms and conditions of purchase, including but not limited to the warranty expressed therein, which apply to these products.

No license, express or implied, by estoppel or otherwise, to any intellectual property rights is granted by this document or by any conduct of Vishay.

The products shown herein are not designed for use in medical, life-saving, or life-sustaining applications unless otherwise expressly indicated. Customers using or selling Vishay products not expressly indicated for use in such applications do so entirely at their own risk and agree to fully indemnify Vishay for any damages arising or resulting from such use or sale. Please contact authorized Vishay personnel to obtain written terms and conditions regarding products designed for such applications.

Product names and markings noted herein may be trademarks of their respective owners.