

ESTAdry D-Type Capacitor For Indoor Use



IP53

ESTAdry D-TYPE THREE PHASE MK-POWER CAPACITOR ACCORDING TO EN60831-1/-2 FOR INDOOR APPLICATION

MK = Metallized Plastic Film Dielectric

ESTAdry MK-type capacitor for power factor correction in low voltage systems.

RATED VOLTAGES

400 V, 415 V, 440 V, 460 V, 525 V, 690 V, 760 V

RATED FREQUENCY

50 Hz*

RATED OUTPUT

50 kvar, other outputs upon request

CASING

Aluminum, welded and hermetically sealed

DEGREE OF PROTECTION

IP00, Indoor (higher degrees of protection up to IP54 upon request)

STANDARDS

EN60831-1/-2, IEC60831-1/-2 (VDE 0560-46/-47)

LOSSES (INCLUDING DISCHARGE RESISTORS)

Less than 0.45 W per kvar at upper temperature limit

DIELECTRIC

Polypropylene film

IMPREGNANT

Without, dry type, NON-PCB, NON-toxic

ELECTRODES

Self-healing

SAFETY DEVICES

Self-healing dielectric and overpressure tear-off fuses external discharge resistors for $U \leq 50$ V, $t = 60$ s (for IP00 version)

TEMPERATURE CLASS

- 25/D (max. 55 °C), (- 40/D upon request)

SHELF TEMPERATURE

- 40/+ 70 °C

SWITCH-IN-CURRENT

Max. $300 \times I_N$

INSULATION

6/15 kV

TESTS

Terminal/Terminal: $2.15 \times U_N/2$ s

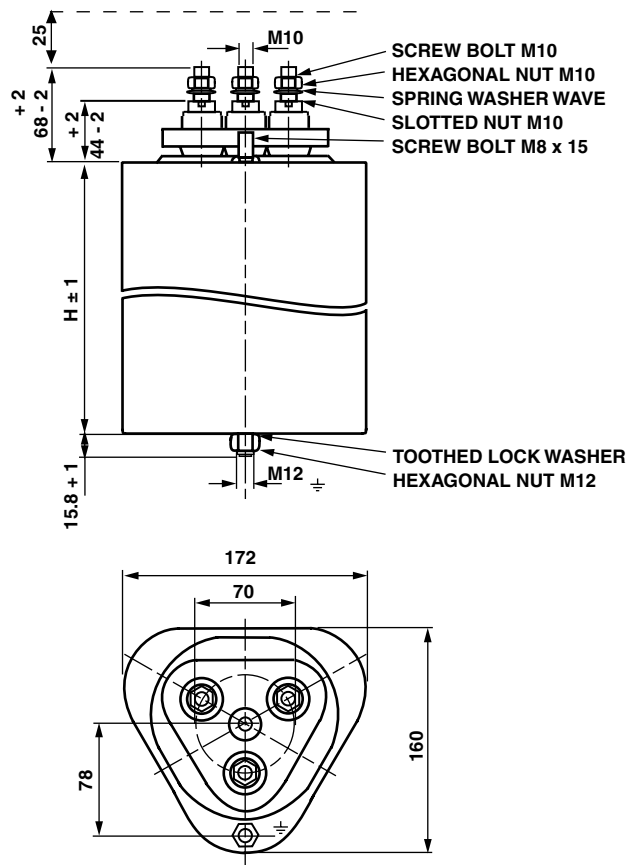
Terminal/Casing: 6000 V/2 s

RECOMMENDED TORQUES

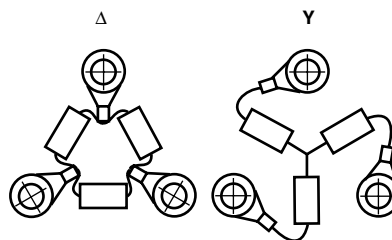
STYLE	RECOMMENDED TORQUE
Terminals M8	6 Nm
Terminals M10	10 Nm
M12 mounting stud	10 Nm

* Can also be used for 60 Hz. The output will be 1.2 times higher. A lower class of temperature might be taken into account.

REQUIRED SPACE FOR BULGING



DISCHARGE RESISTORS



TYPE	RATED VOLTAGE V	RATED OUTPUT kvar	CAPACITANCE μF	CURRENT A	WEIGHT kg	HEIGHT H mm
PHMKDG 400.3.50	400	50	3 x 331.6 Δ	72	app. 4.9	210
PHMKDG 415.3.40	415	40	3 x 246.4 Δ	56	app. 4.9	210
PHMKDG 415.3.50	415	50	3 x 308.0 Δ	70	app. 4.9	210
PHMKDG 440.3.50	440	50	3 x 274.0 Δ	66	app. 4.9	210
PHMKDG 440.3.56, 2	440	56.2	3 x 308.0 Δ	74	app. 4.9	210
PHMKDG 460.3.50	460	50	3 x 250.7 Δ	63	app. 4.9	210
PHMKDG 525.3.50	525	50	3 x 192.5 Δ	55	app. 4.9	210
PHMKDG 690.2.50	690	50	3 x 334.3 Y	42	app. 4.9	210
PHMKDG 760.2.50	760	50	3 x 275.5 Y	38	app. 4.9	210



Disclaimer

All product specifications and data are subject to change without notice.

Vishay Intertechnology, Inc., its affiliates, agents, and employees, and all persons acting on its or their behalf (collectively, "Vishay"), disclaim any and all liability for any errors, inaccuracies or incompleteness contained herein or in any other disclosure relating to any product.

Vishay disclaims any and all liability arising out of the use or application of any product described herein or of any information provided herein to the maximum extent permitted by law. The product specifications do not expand or otherwise modify Vishay's terms and conditions of purchase, including but not limited to the warranty expressed therein, which apply to these products.

No license, express or implied, by estoppel or otherwise, to any intellectual property rights is granted by this document or by any conduct of Vishay.

The products shown herein are not designed for use in medical, life-saving, or life-sustaining applications unless otherwise expressly indicated. Customers using or selling Vishay products not expressly indicated for use in such applications do so entirely at their own risk and agree to fully indemnify Vishay for any damages arising or resulting from such use or sale. Please contact authorized Vishay personnel to obtain written terms and conditions regarding products designed for such applications.

Product names and markings noted herein may be trademarks of their respective owners.