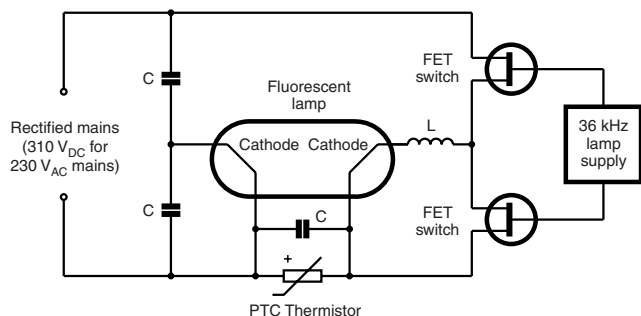


PTC Thermistors, Radial Leaded For Lighting Ballasts



Typical electronic ballast circuit.

DESCRIPTION

Positive Temperature Coefficient (PTC) thermistors for overload protection have proved to be the ideal electronic ballast component for increased lamp life-time.

When the rectified mains is first applied, the PTC thermistor is cold, so its resistance is low. The lamp voltage will be below the necessary ignition value, so the current will flow through the cathodes, heating them to their emission temperature. At the same time, the PTC thermistor will heat up to its switch temperature, whereupon its resistance will rise rapidly, allowing the lamp voltage to reach its ignition value and light the lamp.

Once the lamp is lit, the cathodes are fed by a high-frequency (36 kHz) lamp supply, to avoid flicker, via two power FET switches. The PTC thermistor plays no further part until the lamp is switched off, whereupon it is ready to resume its smooth-starting function.

We supply a range of lighting PTC thermistors for this application offering a wide choice of voltage and switch times.

FEATURES

- Reliable lamp starting, due to well defined inrush-current generated time delay
- Accurate resistance for ease of circuit design
- Small size and durable
- Available bulk-packed or taped-on-reel
- Long life: More than 20 000 starts for a 20 W CFL lamp
- Compliant to RoHS directive 2002/95/EC and in accordance to WEEE 2002/96/EC



RoHS
COMPLIANT

APPLICATIONS

Fluorescent lighting and lighting ballasts for:

- CFL 5 to 25 W range
- TL HF-ballasts

MOUNTING

The leads are suitable for soldering in any position. The lacquer may cover the leads up to 1.0 mm from the seating plane.

PACKAGING

All tape and reel specifications are in accordance with "IEC 60286-3".

ELECTRICAL DATA AND ORDERING INFORMATION

R_{25} (Ω)		SWITCH TEMPERATURE ($^{\circ}\text{C}$)	MAXIMUM VOLTAGE (PEAK VALUE) (V)	TYPICAL ⁽¹⁾ TRIP TIME at 25 $^{\circ}\text{C}$		CATALOG NUMBER	
MIN.	MAX.			t_{trip} (s)	at I_t (mA)	12NC	SAP CODING
500	750	≈ 110	700	0.4	200	2381 660 93049 ⁽²⁾	PTCLL05P131TBE ⁽²⁾
185	300	≈ 120	700	0.5	300	2381 660 93055 ⁽²⁾	PTCLL05P211TTE ⁽²⁾
75	125	≈ 80	700	0.7	300	2381 660 93066 ⁽²⁾	PTCLL05P251TTE ⁽²⁾
225	375	≈ 105	900	0.75	300	2381 661 93102 ⁽³⁾	PTCLL07P261VTE ⁽³⁾
75	125	≈ 105	1000	0.85	500	2381 661 93114 ⁽³⁾	PTCLL07P421WTE ⁽³⁾

Notes

⁽¹⁾ Ignition time of the lamp approximately equals the tripping time

⁽²⁾ Specific for CFL lamp electronic starter

⁽³⁾ Specific for HF-TL ballast



Disclaimer

ALL PRODUCT, PRODUCT SPECIFICATIONS AND DATA ARE SUBJECT TO CHANGE WITHOUT NOTICE TO IMPROVE RELIABILITY, FUNCTION OR DESIGN OR OTHERWISE.

Vishay Intertechnology, Inc., its affiliates, agents, and employees, and all persons acting on its or their behalf (collectively, "Vishay"), disclaim any and all liability for any errors, inaccuracies or incompleteness contained in any datasheet or in any other disclosure relating to any product.

Vishay makes no warranty, representation or guarantee regarding the suitability of the products for any particular purpose or the continuing production of any product. To the maximum extent permitted by applicable law, Vishay disclaims (i) any and all liability arising out of the application or use of any product, (ii) any and all liability, including without limitation special, consequential or incidental damages, and (iii) any and all implied warranties, including warranties of fitness for particular purpose, non-infringement and merchantability.

Statements regarding the suitability of products for certain types of applications are based on Vishay's knowledge of typical requirements that are often placed on Vishay products in generic applications. Such statements are not binding statements about the suitability of products for a particular application. It is the customer's responsibility to validate that a particular product with the properties described in the product specification is suitable for use in a particular application. Parameters provided in datasheets and/or specifications may vary in different applications and performance may vary over time. All operating parameters, including typical parameters, must be validated for each customer application by the customer's technical experts. Product specifications do not expand or otherwise modify Vishay's terms and conditions of purchase, including but not limited to the warranty expressed therein.

Except as expressly indicated in writing, Vishay products are not designed for use in medical, life-saving, or life-sustaining applications or for any other application in which the failure of the Vishay product could result in personal injury or death. Customers using or selling Vishay products not expressly indicated for use in such applications do so at their own risk and agree to fully indemnify and hold Vishay and its distributors harmless from and against any and all claims, liabilities, expenses and damages arising or resulting in connection with such use or sale, including attorneys fees, even if such claim alleges that Vishay or its distributor was negligent regarding the design or manufacture of the part. Please contact authorized Vishay personnel to obtain written terms and conditions regarding products designed for such applications.

No license, express or implied, by estoppel or otherwise, to any intellectual property rights is granted by this document or by any conduct of Vishay. Product names and markings noted herein may be trademarks of their respective owners.