

2Pro™ Device Series

308 Constitution Drive
Menlo Park, CA USA
www.circuitprotection.com

DOCUMENT: SCD28369
REV LETTER: A
REV DATE: AUGUST 28, 2012
PAGE NO.: 1 OF 2

Specification Status: Draft

Operating Conditions at 20°C:

Maximum Continuous Operating Voltage (V_{mco}): 240V_{ac}

Fault Ratings at 20°C:

Maximum Limited Duration Voltage (V_{ldf}): 450V_{rms}

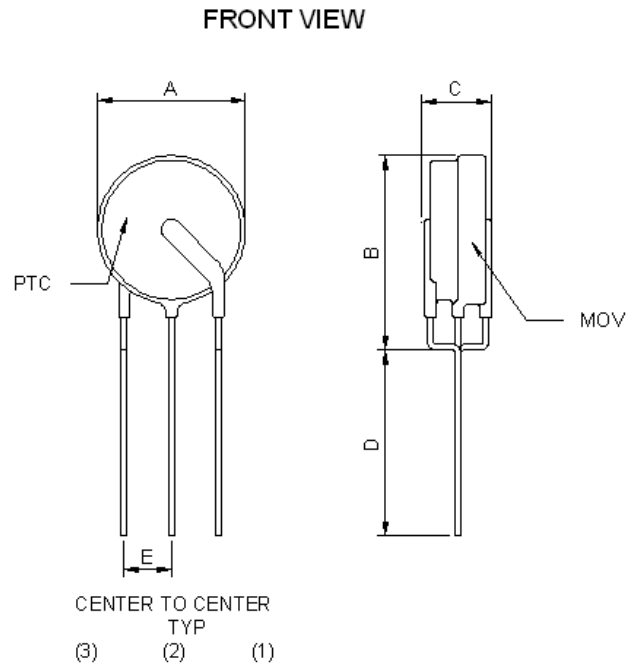
Maximum Limited Duration Current (I_{ldf}): 10A

Lead Material:

22 AWG Sn-Plated Copper (0.64 mm [0.025"] nominal diameter)

Marking (on MOV side):

- ┌─── Manufacturer's Mark
- ─── Part Identification
- Lot Identification



Electrical Schematic:

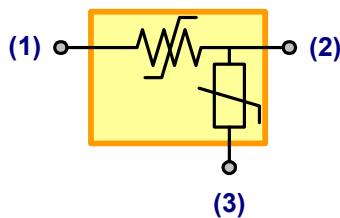


TABLE I. DIMENSIONS:

	A		B		C		D		E
	MIN	MAX	MIN	MAX	MIN	MAX	MIN	MAX	NOM
mm:	--	16.0	--	21.0	--	7.4	3.0	5.0	2.5
in.*	--	(0.63)	--	(0.83)	--	(0.29)	(0.12)	(0.20)	(0.10)

*Rounded off approximation

2Pro™ Device Series

PRODUCT: PSR-28369

DOCUMENT: SCD28369
REV LETTER: A
REV DATE: AUGUST 28, 2012
PAGE NO.: 2 OF 2

TABLE II. PPTC-SECTION (TERMINALS 1-2) PERFORMANCE RATINGS @ 20°C:

HOLD CURRENT (A)	TRIP CURRENT (A)	RESISTANCE (Ω)†			TIME TO TRIP† (s) @ 7A	
		R MIN	R MAX	R _{1 MAX} *	TYP	MAX
0.75	1.5	0.35	0.65	1.0	0.9	1.2

*Maximum device resistance at 20°C measured 1 hour post trip.

† Corresponds to operations below varistor switch voltage.

TABLE III. MOV-SECTION (TERMINALS 2-3) PERFORMANCE RATINGS @ 20°C:

VARISTOR VOLTAGE @ 1mA		DC RESISTANCE @ 100V	MAXIMUM CLAMPING VOLTAGE @ 50A	RATED WATTAGE
DC (V)	TOLERANCE	(MΩ)	(V)	(W)
430	± 10 %	>10	710	1.0

TABLE IV. SURGE IMMUNITY FOR THE ASSEMBLY (TERMINALS 1-3) @ 20°C:

Parameter	VOLTAGE – Open Circuit		CURRENT – Short Circuit		Repetitions
	Voltage (V)	Waveform (μs)	Current (A)	Waveform (μs)	
IEC / EN 61000-4-5	2000	1.2 x 50	1000	8 x 20	5 ea. Polarity

APPLICABLE PART DESCRIPTIONS:

PART DESCRIPTION	PACKAGING	NOTES
PSR-28369	Bulk	N/A

Agency Recognitions: N/A
 Reference Documents: Raychem PS300 for PPTC section
 Precedence: This specification takes precedence over documents referenced herein.
 Effectivity: Reference documents shall be the issue in effect on the date of invitation for bid.
 CAUTION: Operation beyond the rated voltage or current may result in rupture, electrical arcing or flame.

Materials Information

ROHS Compliant

Directive 2002/95/EC
Compliant

ELV Compliant

Directive 2000/53/EC
Compliant

Pb-Free



Information furnished is believed to be accurate and reliable. However, users should independently evaluate the suitability of and test each product selected for their own applications. Tyco Electronics Corporation and its affiliates in the TE Connectivity Ltd. group of companies ("TE") reserves the right to change or update, without notice, any information contained in this publication; to change, without notice, the design, construction, processing, or specification of any product; and to discontinue or limit production or distribution of any product. This publication supersedes and replaces all information previously supplied. Without expressed or written consent by an officer of TE, TE does not authorize the use of any of its products as components in nuclear facility applications, aerospace, or in critical life support devices or systems. TE expressly disclaims all implied warranties regarding the information contained herein, including, but not limited to, any implied warranties of merchantability or fitness for a particular purpose. TE's only obligations are those in the TE Standard Terms and Conditions of Sale and in no case will TE be liable for any incidental, indirect, or consequential damages arising from the sale, resale, use, or misuse of its products