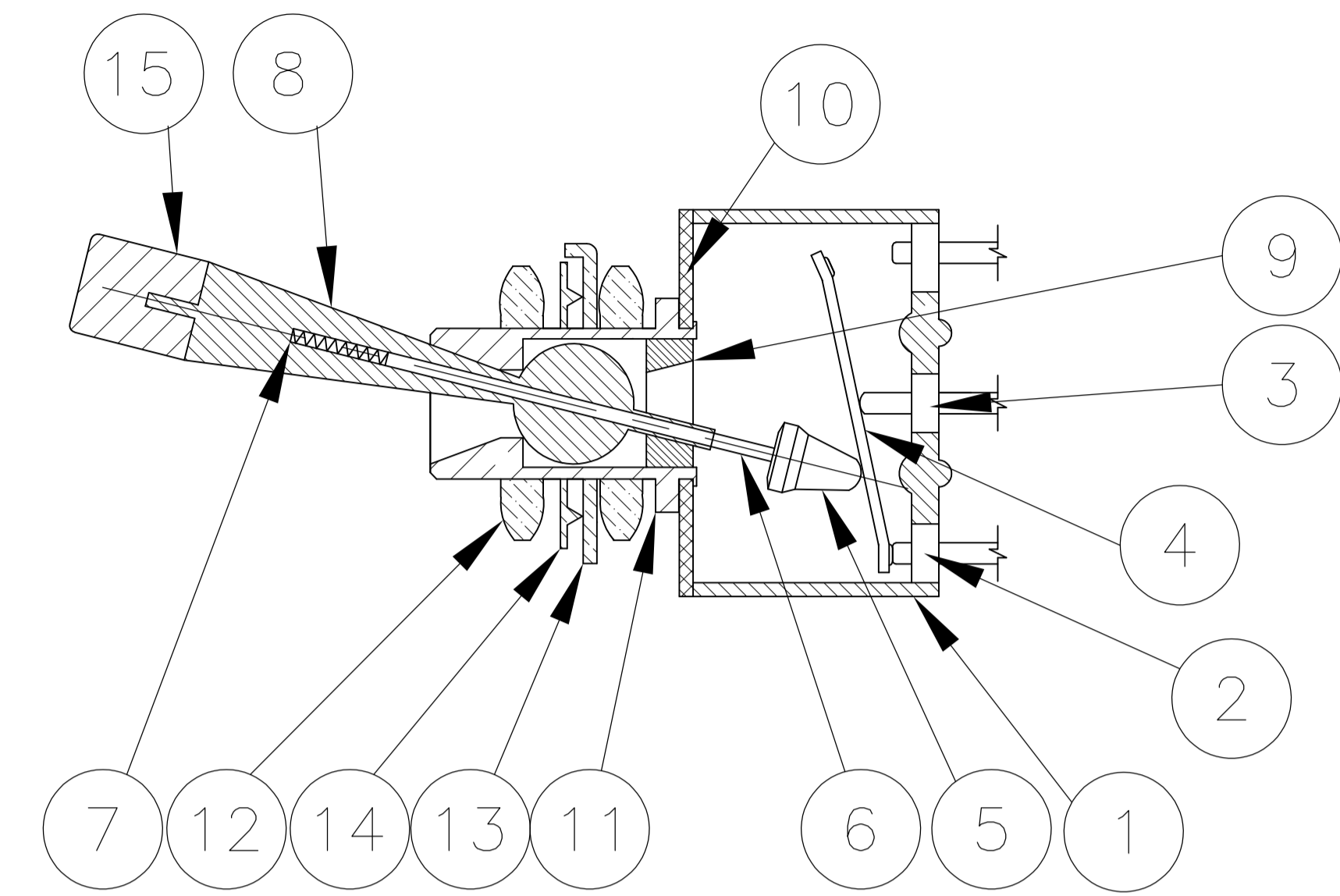


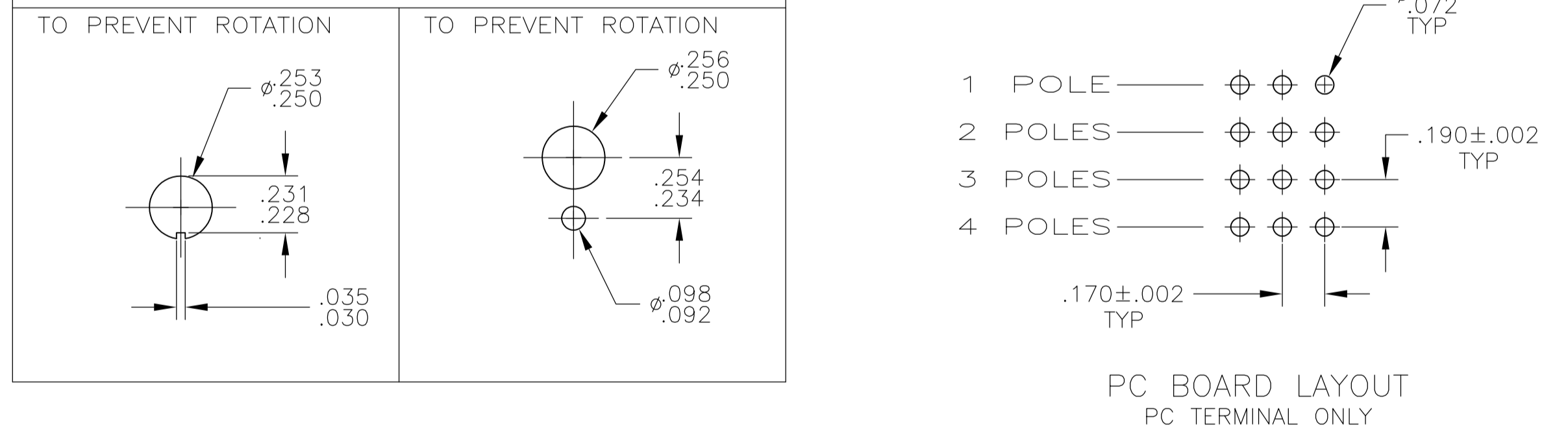
Materials			
No.	Component name	Base material	Finish
1	Housing	High Temp., UL 94V-0, green	
2	End terminal	silver clad copper alloy	5 microinches min. gold
3	Center terminal	copper alloy	5 microinches min. gold
4	Rocker contact	silver clad copper alloy	5 microinches min. gold
5	Actuator	Phenol resin, UL94 HB, black	
6	Plunger	stainless steel	
7	Spring	music wire	
8	Toggle	brass	chrome or nickel
9	Retainer	Polyamide, UL94 HB, black	
10	Frame	cold rolled steel	zinc or nickel
11	Bushing	brass	100 microinches min. nickel over 10 microinches min. copper
12	Mounting nuts (2)	brass	200 microinches min. bright nickel
13	Locating ring	cold rolled steel	zinc or nickel
14	Internal tooth lockwasher	steel	zinc or nickel
15	Toggle tip	Polyamide, black	

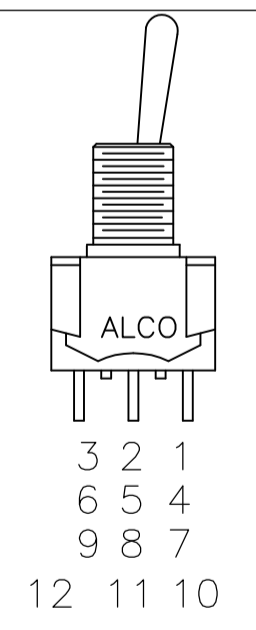
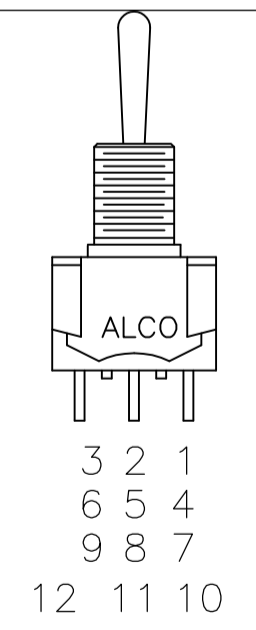
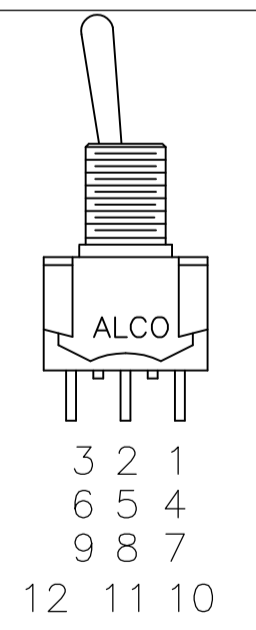


NOT TO SCALE

Specifications-see note 3				
Current rating UL & CSA	6A @ 125 VAC (resistive)			
	3A @ 250 VAC (resistive)			
	4A @ 28 VDC (resistive)			
Termination resistance	20 milliohms max @ 2-4 VDC, 1A			
Insulation resistance	1,000 megohms min.			
Withstanding voltage	1,000 VAC			
Travel	24 +/-6 degrees			
Actuation force	.05 to 1.5 kgf			
Operating temperature	-20C to +85C			
Storage temperature	-40C to +85C			
Contact timing	break before make			
Terminal seal	epoxy or insert molded			
Durability	Parameter	2 Position	3 Position	Momentary
	mechanical (no load)	150,000	100,000	80,000
	250 VAC (3A resistive)	80,000	60,000	60,000
	125 VAC (6A resistive)	80,000	60,000	60,000
	28 VDC (4A resistive)	60,000	50,000	40,000

RECOMMENDED HOLE LAYOUT



Part Number	Alco Model	Poles	Throws	Function	Terminal				Comments
6-1437558-7	MTB406N	4	2	ON ON	Wire lug	3 2 1 6 5 4 9 8 7 12 11 10	---	2-1, 5-4, 8-7, 11-10	
6-1437558-6	MTB306D	3	2	ON ON	Wire lug	2-3, 5-6, 8-9	---	2-1, 5-4, 8-7	
6-1437558-5	MTB206P	2	2	ON OFF ON	Wire lug	2-3, 5-6	OFF	2-1, 5-4	
6-1437558-4	MTB206N	2	2	ON ON	Wire lug	2-3, 5-6	---	2-1, 5-4	
6-1437558-3	MTB106E	1	2	ON OFF ON	Wire lug	2-3	Off	2-1	
6-1437558-2	MTB106D	1	2	ON ON	Wire lug	2-3	---	2-1	

NOTES:
 1. TERMINAL NUMBERS ARE FOR REFERENCE ONLY AND DO NOT APPEAR ON THE SWITCHES.
 2. EACH SWITCH SUPPLIED WITH THE FOLLOWING MOUNTING HARDWARE:
 (2) 1/4-40 UNS-2B HEX NUTS
 (1) INTERNAL TOOTH LOCKWASHER
 (1) LOCATING RING

5. WIRE LUG CONTACTS WILL ACCEPT 2 #20 AWG SOLID OR STRANDED WIRES.

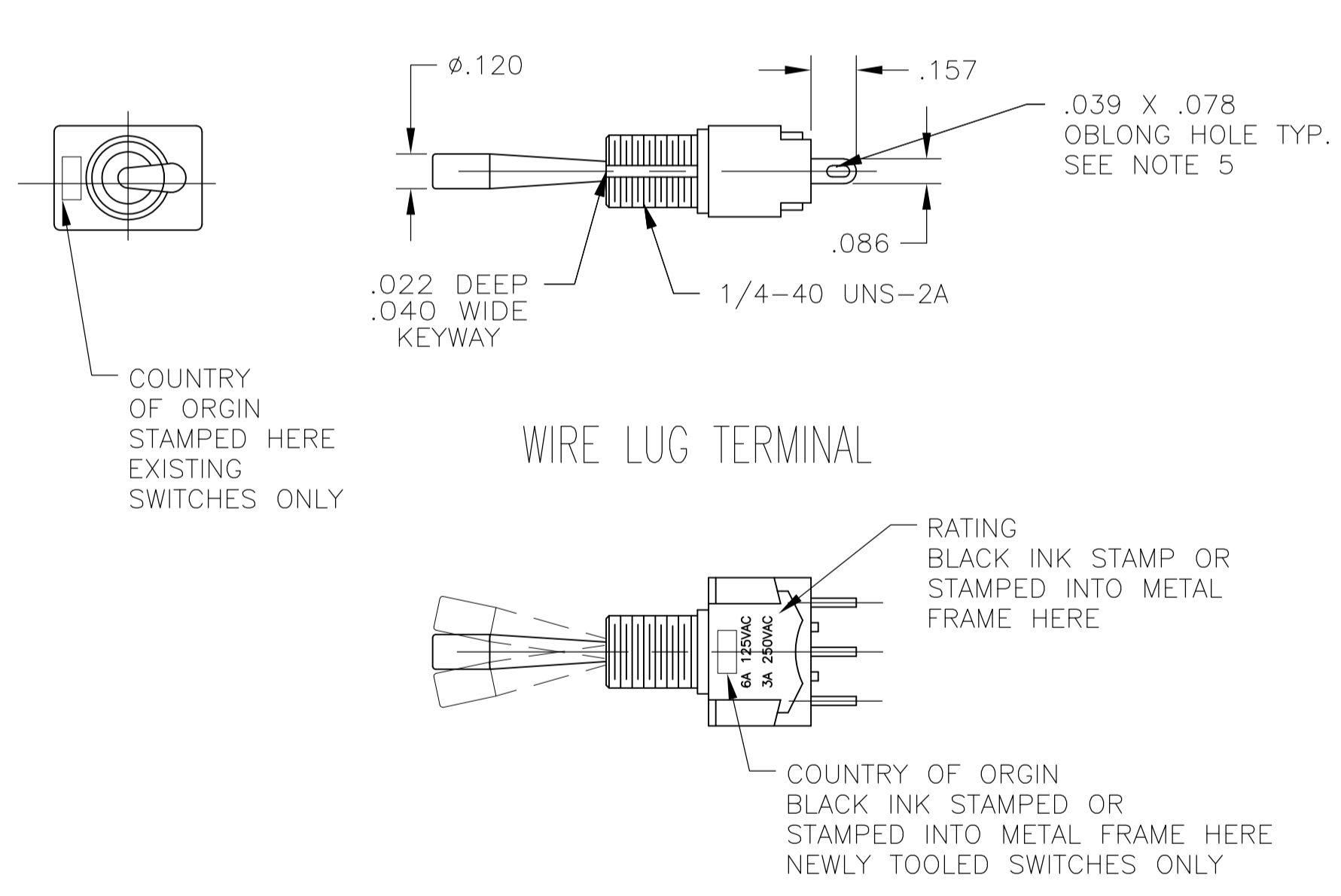
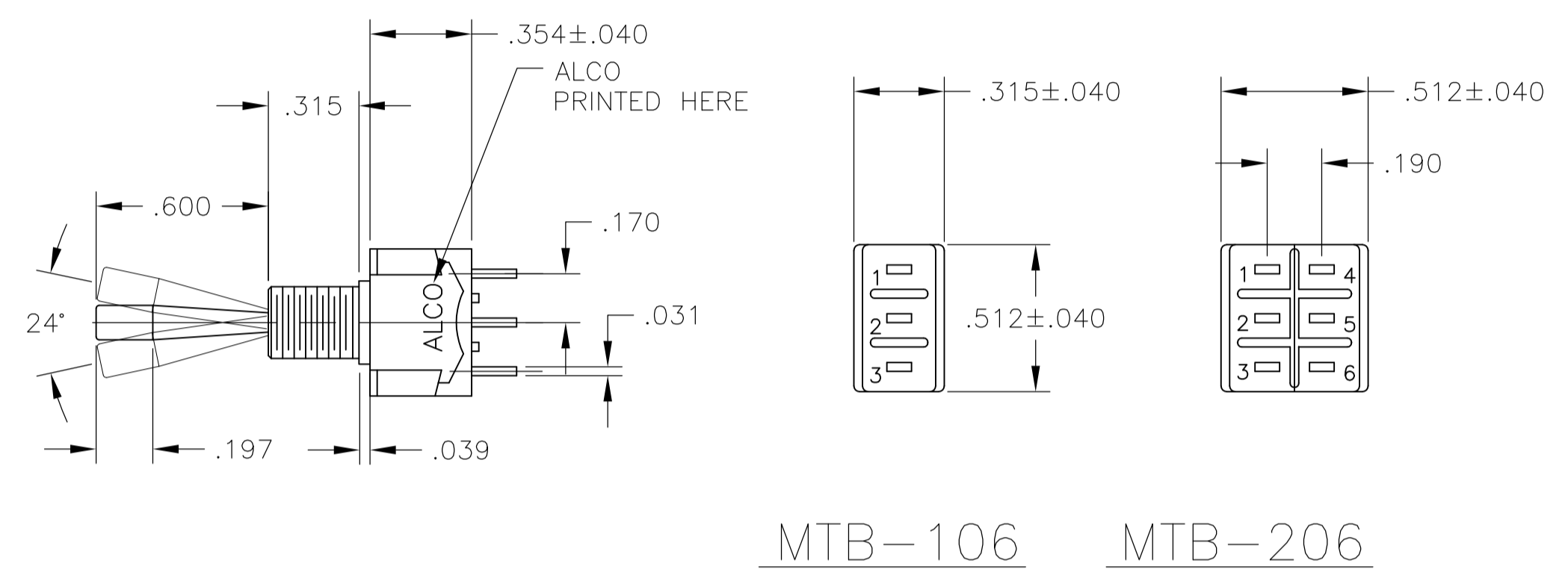
THIS DRAWING IS A CONTROLLED DOCUMENT.

STE TE Connectivity

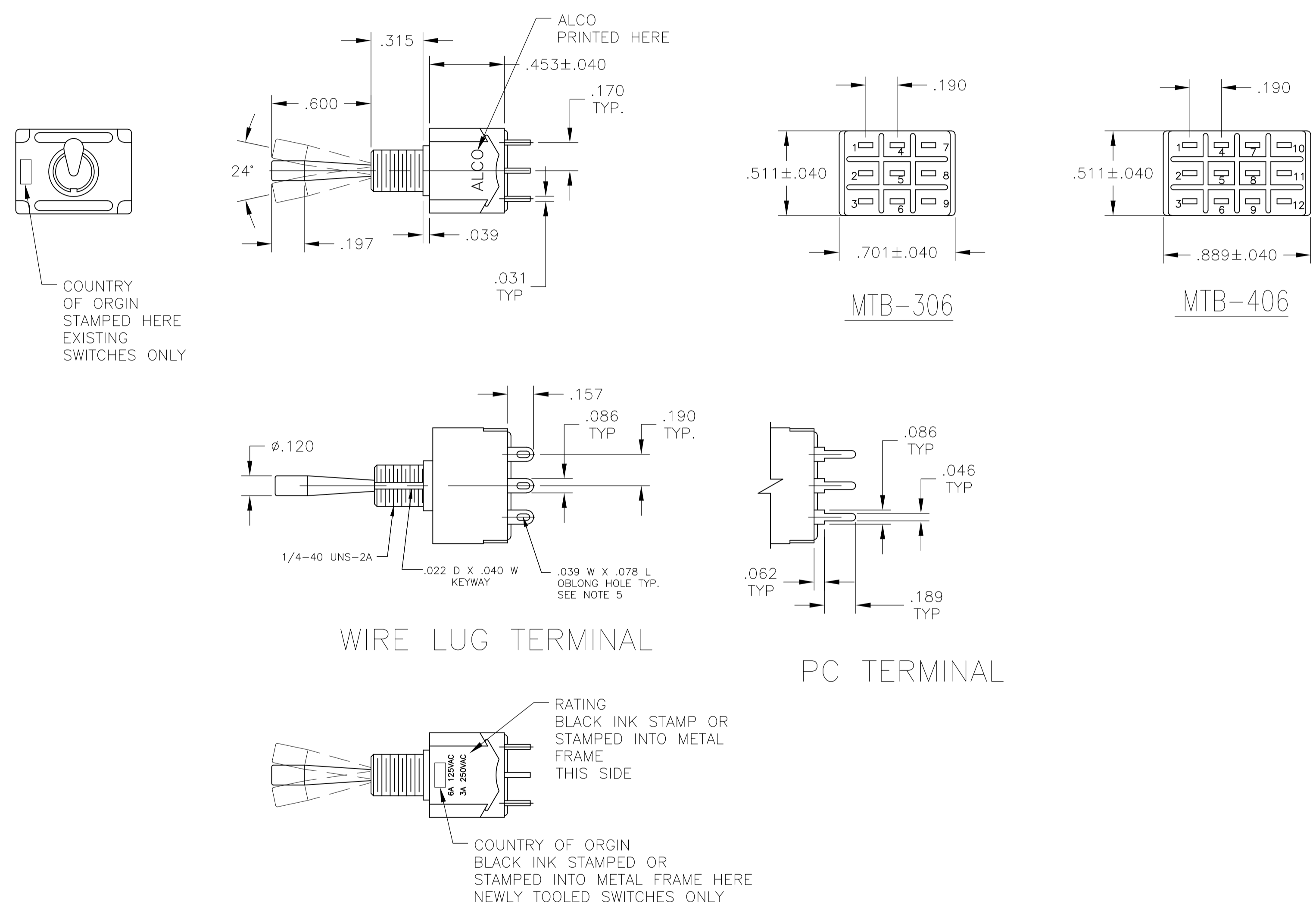
TOGGLE SWITCH, MTB SERIES
VERTICAL MOUNT

SIZE: A1 CAGE CODE: 00779 DRAWING NO: 6-1437558-2

SCALE: 2:1 SHEET: 1 OF 3 REV: C2



THIS DRAWING IS A CONTROLLED DOCUMENT.		DIN M. BINNER 07APR04		TE Connectivity	
DIMENSIONS: INCHES		CHK M. ZITTO 07APR04			
TOLERANCES UNLESS OTHERWISE SPECIFIED:		APPD M. ZITTO 07APR04		NAME TOGGLE SWITCH, MTB SERIES VERTICAL MOUNT	
0. PLC ± - 1. PLC ± - 2. PLC ± - 3. PLC ± .005 4. PLC ± - ANGLES ± -		PRODUCT SPEC		APPLICATION SPEC	
MATERIAL		WEIGHT		SIZE CAGE CODE DRAWING NO. RESTRICTED TO	
FINISH		A1 00779		6-1437558-2	
CUSTOMER DRAWING		SCALE 1:1		SHEET 2 OF 3 REV C2	



THIS DRAWING IS A CONTROLLED DOCUMENT.		DIN	M. BINNER	07APR04	TE Connectivity TOGGLE SWITCH, MTB SERIES VERTICAL MOUNT		
DIMENSIONS: INCHES		CHK	M. ZITTO	07APR04			
TOLERANCES UNLESS OTHERWISE SPECIFIED:		APP'D	M. ZITTO	07APR04			
0. PLC ± - 1. PLC ± - 2. PLC ± - 3. PLC ± .005 4. PLC ± - ANGLES ± -		NAME					
MATERIAL		FINISH	WEIGHT	SIZE	CAGE CODE	DRAWING NO.	RESTRICTED TO
				A1	00779	6-1437558-2	
CUSTOMER DRAWING				SCALE	1:1	SHEET	3 OF 3
				REV	C2		