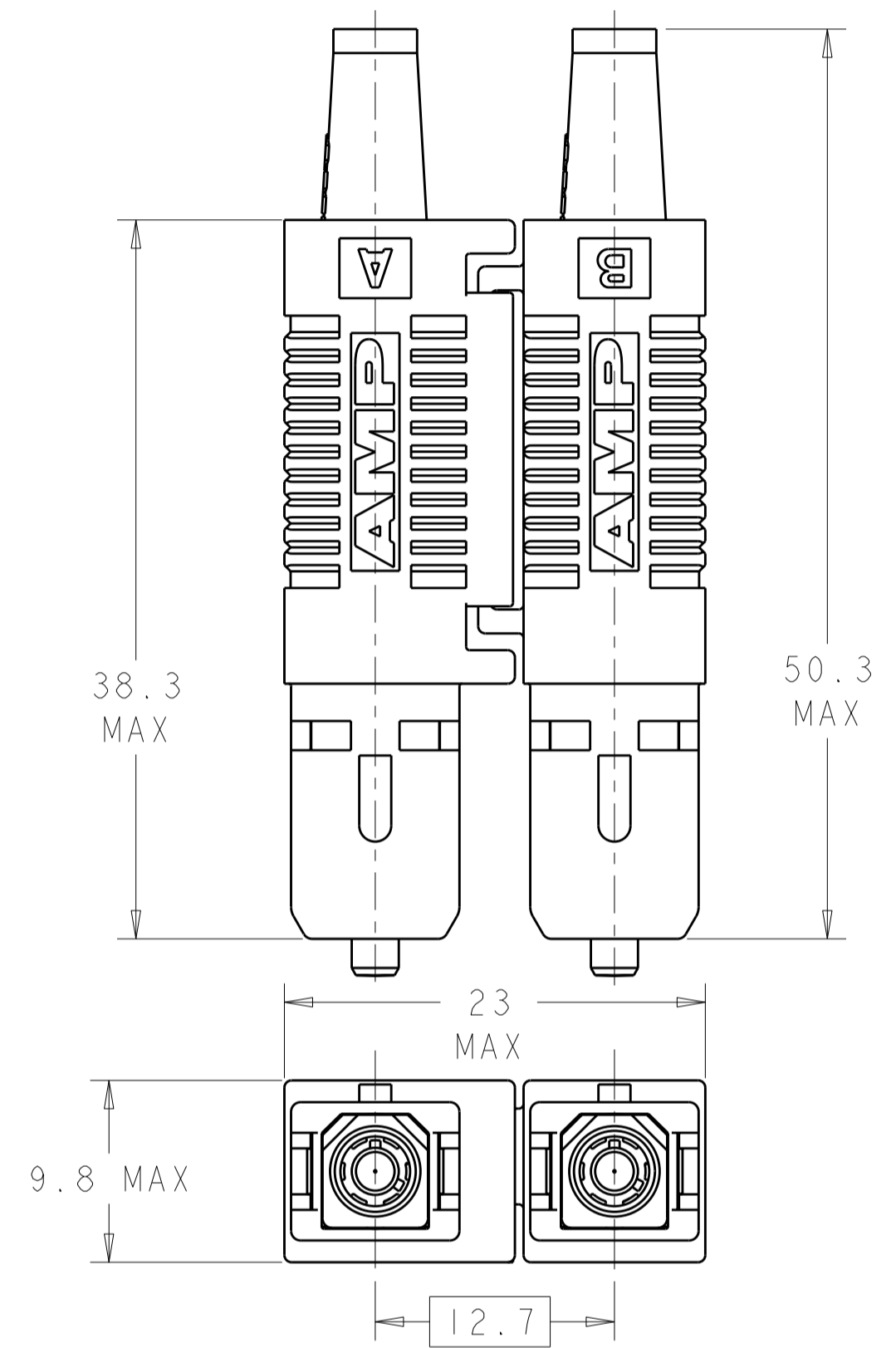
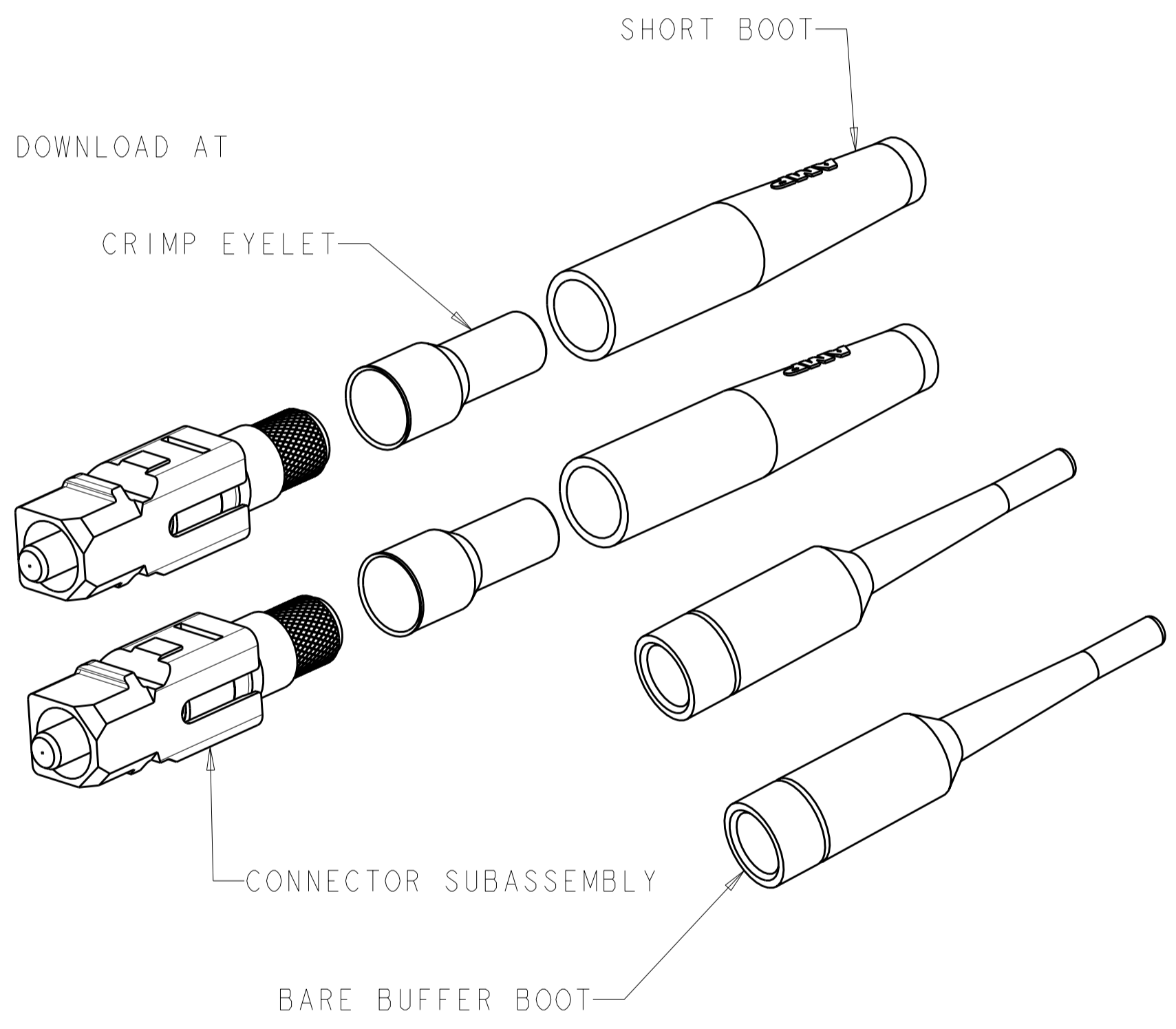
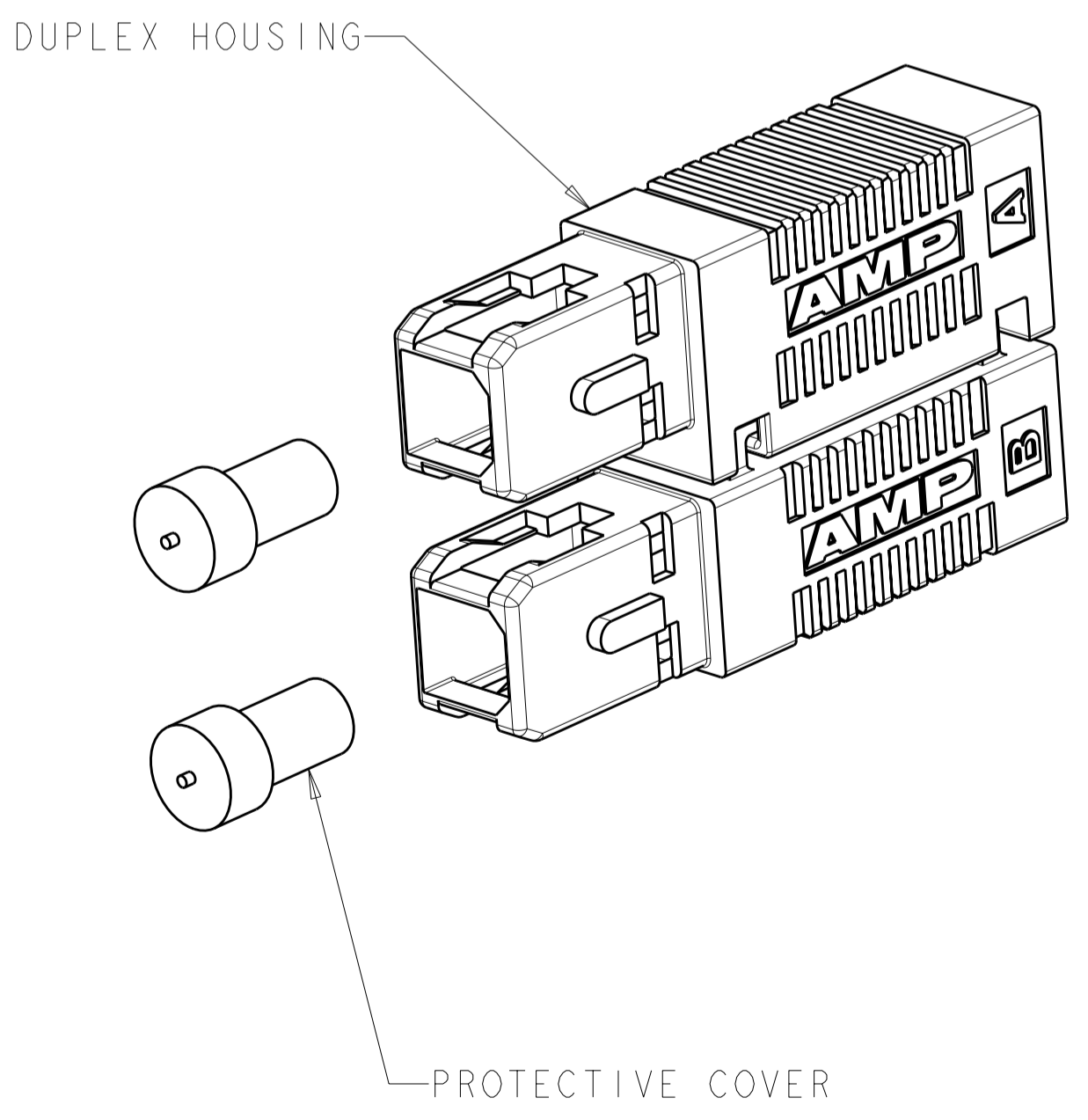


THIS DRAWING IS UNPUBLISHED. RELEASED FOR PUBLICATION 20
 © COPYRIGHT 20 BY TYCO ELECTRONICS CORPORATION. ALL RIGHTS RESERVED.

LOC	DIST	REVISIONS			
P	LTR	DESCRIPTION	DATE	DWN	APVD
	A	RELEASE TO ACTIVE	07JUN2006	BB	SM
	B	REVISE PER ECR-07-011930	06JUN2007	BB	SM
	BI	ADD NOTE 6.	11MAY2009	KG	SB

- 1 MATERIAL:
 CONNECTOR HOUSING: PBT-GF17, COLOR: BEIGE.*
 PROTECTIVE COVER: LDPE, COLOR: BLACK, NON-FR.
 CONNECTOR SUBASSEMBLY:
 PLUG BODY: PES-GF20, COLOR: BLUE.*
 FERRULE ASSEMBLY: CERAMIC/PBT-GF17, COLOR: BEIGE.*
 EPOXY FILL TUBING: PTFE, COLOR: CLEAR, UL VW-1 RATED.
 SPRING: STAINLESS STEEL.
 RETAINER BODY: PES-GF20, COLOR: BEIGE.*
 CRIMP EYELET: TIN PLATED COPPER.
 BOOT: TPE, COLOR: SEE TABLE.*
 *UL94 V-0 RATED AT QUALIFYING THICKNESS.

- 2 BULK PACKAGE.
 3. 3.0mm KIT FOR USE WITH "LOOSE-JACKETED" CABLE.
 4 NO AMP LOGO.
 5 CONTAINS NO CRIMP EYELETS.
 6. INSTRUCTION SHEET 408-8674 AVAILABLE FOR DOWNLOAD AT
www.tycoelectronics.com/documents OR
www.ampnetconnect.com/foguide.



3.0mm, BLACK	5504657-9	
3.0mm, AQUA	5504657-8	
△4 △2	NONE	5504657-7
△4 △2	NONE	5504657-6
3.0mm & 900um, BEIGE	5504657-5	
△4	3.0mm, BEIGE	5504657-4
△2	NONE	5504657-3
△2	3.0mm, BEIGE	5504657-2
	3.0mm, BEIGE	5504657-1
	BOOT	PART NUMBER

THIS DRAWING IS A CONTROLLED DOCUMENT FOR TYCO ELECTRONICS CORPORATION. IT IS SUBJECT TO CHANGE AND THE CONTROLLING ENGINEERING ORGANIZATION SHOULD BE CONTACTED FOR THE LATEST REVISION.

DWN	B. BRIGGS	14 JUL 2005	Tyco Electronics Harrisburg, PA 17105-3608	
CHK	S. MILLER	14 JUL 2005		
APVD	S. BUCHTER	14 JUL 2005		
PRODUCT SPEC				
APPLICATION SPEC			NAME	AMP SC, MULTIMODE CONNECTOR KIT, 900um AND 3.0mm
WEIGHT			SIZE	A200779
CUSTOMER DRAWING			CAGE CODE	C-5504657
			DRAWING NO	
			RESTRICTED TO	
			SCALE	3:1
			SHEET	1 OF 1
			REV	BI