

THIS DRAWING IS UNPUBLISHED. RELEASED FOR PUBLICATION
 © COPYRIGHT 2011 ALL RIGHTS RESERVED.

LOC		DIST		REVISIONS			
P	LTR	DESCRIPTION	DATE	DWN	APVD		
B3		REVISED PER ECO-11-005140	16APR2011	RK	HMR		

1 MATERIAL:

CONNECTOR HOUSING: PBT-GF17, COLOR: BEIGE.*
 CONNECTOR SUBASSEMBLY:
 PLUG BODY: PES-GF20, COLOR: BEIGE.*
 SPRING: STAINLESS STEEL
 FERRULE ASSEMBLY: CERAMIC/PBT-GF17, COLOR: BEIGE.*
 EPOXY-FILL TUBING: PVC, COLOR: CLEAR, UL VW-1 RATED.
 RETAINER BODY: PES-GF20, COLOR: BEIGE.*
 CRIMP EYELET: TIN PLATED COPPER
 BOOT: TPE, COLOR: SEE TABLE.*
 PROTECTIVE COVER: LDPE, COLOR: BLACK, NON-FR.
 *UL94 V-0 RATED AT QUALIFYING THICKNESS.

2 BULK PACKAGE.

3. 3.0mm KIT FOR USE WITH "LOOSE-JACKETED" CABLE.

4 NO AMP LOGO.

5 CONTAINS NO EYELET.

6. INSTRUCTION SHEET 408-8674 AVAILABLE FOR DOWNLOAD AT
www.tycoelectronics.com/documents OR
www.ampnetconnect.com/foguide.

BOOT, BARE BUFFER

CRIMP EYELET

BOOT, SHORT


CONNECTOR SUB-ASSEMBLY

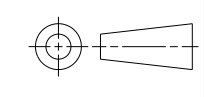
CONNECTOR HOUSING

PROTECTIVE COVER

3.0mm & 900um, BLACK	1-5503948-3
3.0mm, BLACK	1-5503948-2
3.0mm & 900um, AQUA	1-5503948-1
3.0mm, AQUA	1-5503948-0
3.0mm, RED	5503948-9
3.0mm, BLACK	5503948-8
NONE	5503948-7
NONE	5503948-6
3.0mm & 900um, BEIGE	5503948-5
NONE	5503948-3
3.0mm, BEIGE	5503948-2
3.0mm, BEIGE	5503948-1
BOOT	PART NUMBER

THIS DRAWING IS A CONTROLLED DOCUMENT.

DWN B. BRIGGS 07NOV2005	 TE Connectivity
CHK S. MILLER 07NOV2005	
APVD S. BUCHTER 07NOV2005	
PRODUCT SPEC	
NAME SC, MULTIMODE CONNECTOR KIT, 900um AND 3.0mm	
SIZE A2	
CAGE CODE -	
DRAWING NO C-5503948	
RESTRICTED TO -	
CUSTOMER DRAWING	
SCALE 5:1	
SHEET 1	
OF 1	
REV B3	

DIMENSIONS:		TOLERANCES UNLESS OTHERWISE SPECIFIED:	
mm		0 PLC	±
		1 PLC	±
		2 PLC	±
		3 PLC	±
		4 PLC	±
		ANGLES	±
		FINISH	