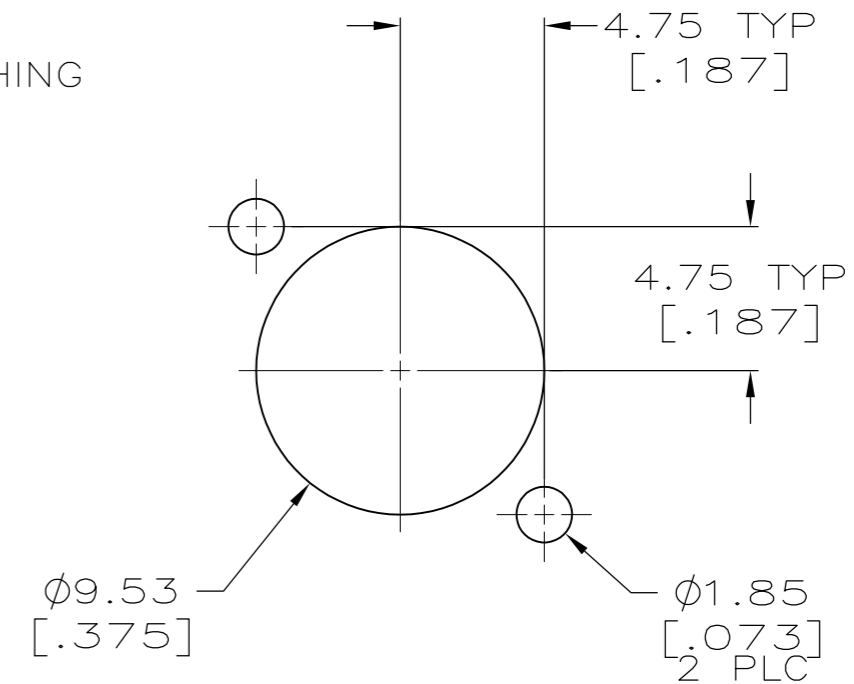
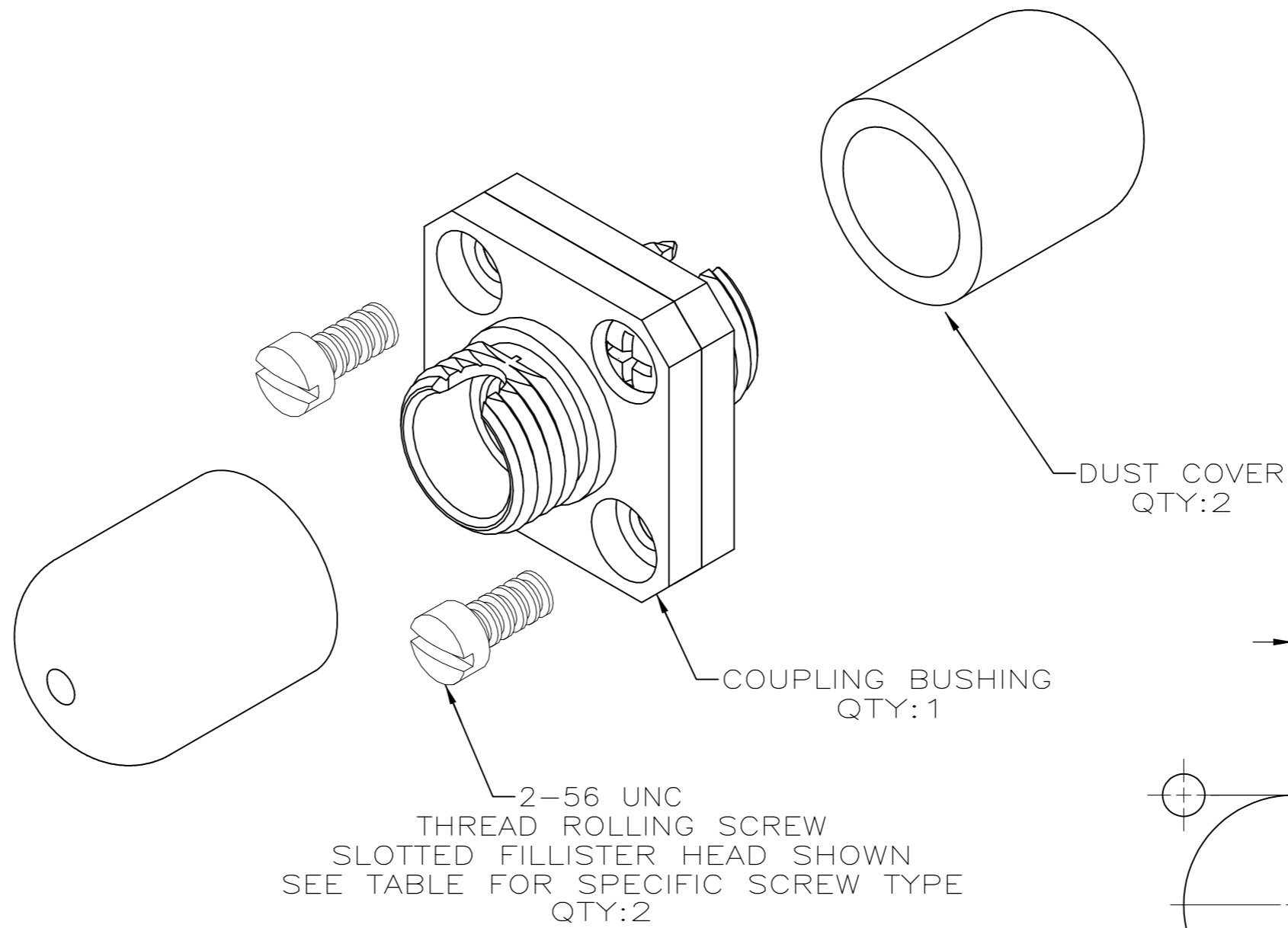


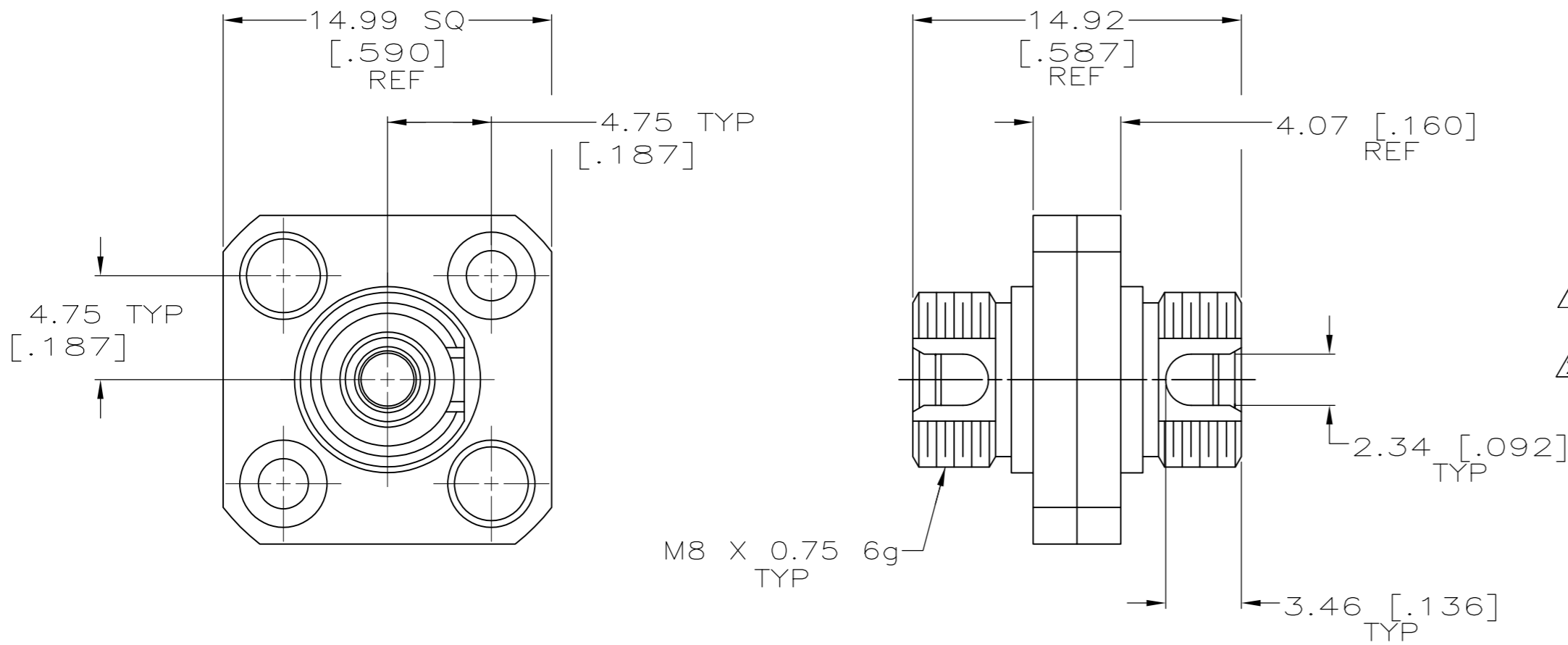
THIS DRAWING IS UNPUBLISHED. RELEASED FOR PUBLICATION .19  
 BY AMP INCORPORATED. ALL RIGHTS RESERVED.

LOC	DIST	REVISIONS			
P	LTR	DESCRIPTION	DATE	DWN	APVD
CE	16				
	T	REV PER 0A00-0589-03	03MAY04	KG	SB
	T1	REVISED PER ECO-09-021826	12JAN10	KK	AEG

- 1. DIMENSIONS IN [ ] ARE IN INCHES.
- 2 BULK PACKAGE, 50 PIECES.
- 3 BULK PACKAGE 100 PIECES.
- 4 BULK PACKAGE, 50 PIECES PER TRAY.
- 5 MATERIAL:  
 HOUSING: BRASS  
 SLEEVE: PHOSPHOR BRONZE  
 SLEEVE: ZIRCONIA  
 SCREW: STAINLESS STEEL  
 DUST COVER:PVC, COLOR: RED, NON-FR
- 6 FINISH:  
 HOUSING:NICKEL
- 7 OBSOLETE PARTS: OBSOLETE CIS STREAMLINING PER D.RENAUD/D.SINISI



RECOMMENDED PANEL CUTOUT  
 MAX PANEL THICKNESS 1.7[.067]



ADAPTER

2	OBSOLETE	CROSS-RECESSED FILLISTER HEAD	CERAMIC	501506-8
4		NO SCREWS SUPPLIED	METAL	501506-7
3	OBSOLETE	NO SCREWS SUPPLIED	METAL	501506-6
5	SUPERSEDED BY 5501506-5	NO SCREWS SUPPLIED	CERAMIC	501506-5
4		SLOTTED FILLISTER HEAD	METAL	501506-4
3	SUPERSEDED BY 5501506-1	SLOTTED FILLISTER HEAD	CERAMIC	501506-3
2		SLOTTED FILLISTER HEAD	METAL	501506-2
1		SLOTTED FILLISTER HEAD	CERAMIC	501506-1
SCREW TYPE			ALIGNMENT SLEEVE	PART NUMBER

THIS DRAWING IS A CONTROLLED DOCUMENT.		DWN J.GERACE 06JAN87	AMP Incorporated Harrisburg, PA 17105-3608	
DIMENSIONS: mm		CHK J.ZEIDERS 06JAN87	ADAPTER KIT, FC, OPTIMATE	
TOLERANCES UNLESS OTHERWISE SPECIFIED:		APVD A.PLOTTS 06JAN87	SIZE A2	CAGE CODE 00779
0 PLC ±-	1 PLC ±-	PRODUCT SPEC -	DRAWING NO C=501506	RESTRICTED TO -
2 PLC ±-	3 PLC ±-	INSTRUCTION SHEET -	SCALE NTS	SHEET 1 OF 1
4 PLC ±-	ANGLES ±-	WEIGHT -	REV T1	
MATERIAL	FINISH	CUSTOMER DRAWING		