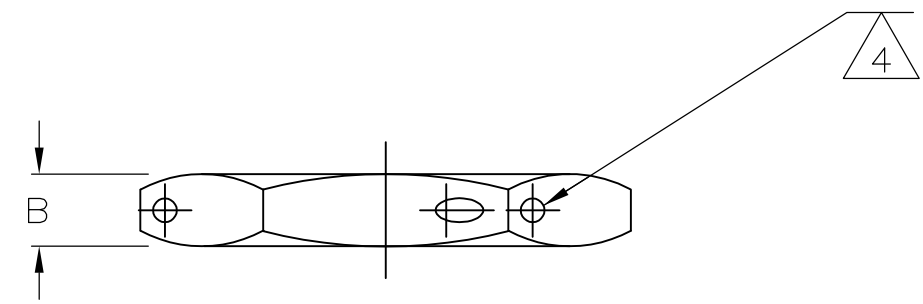
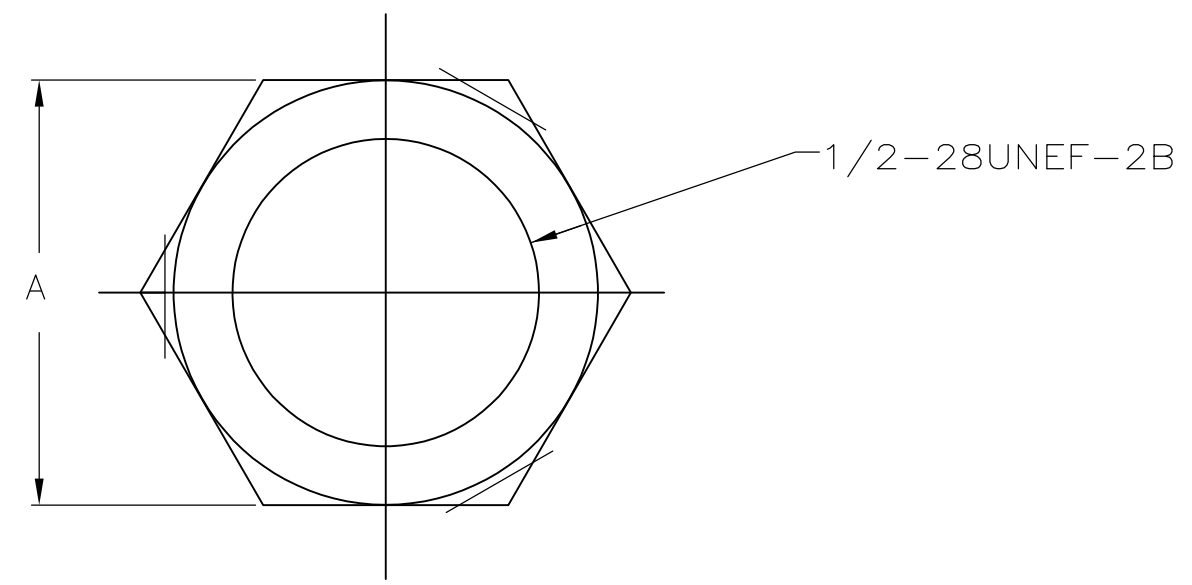


THIS DRAWING IS UNPUBLISHED. RELEASED FOR PUBLICATION  
 © COPYRIGHT - By - ALL RIGHTS RESERVED.


LOC	DIST	REVISIONS					
		P	LTR	DESCRIPTION	DATE	DWN	APVD
AJ	16		M1	REVISED PER ECO-11-005030	11MAR11	RK	HMR



- ① BRASS PER QQ-B-627.
- ② SILVER PLATE PER QQ-S-365, 5.08µm [.000200] MINIMUM THICK.
- ③ NICKEL PLATE PER QQ-N-290, 2.54µm [.000100] MINIMUM THICK.
- ④  $\phi 0.79 \pm 0.08$  [.031 ± .003] (3 HOLES) 120° APART.
- ⑤ GOLD PLATE PER MIL-G-45204, 0.51µm [.000020] MINIMUM THICK.

2.77 [.109]	15.82 [.623]	-	⑤	①	2-329631-2
2.77 [.109]	15.82 [.623]	-	③	①	2-329631-0
2.77 [.109]	15.82 [.623]	-	②	①	1-329631-9
2.39 ± 0.15 [.094 ± .006]	14.10 ± 0.25 [.555 ± .010]	④	②	①	1-329631-7
2.39 ± 0.15 [.094 ± .006]	14.10 ± 0.25 [.555 ± .010]	-	③	①	1-329631-2
2.39 ± 0.15 [.094 ± .006]	14.10 ± 0.25 [.555 ± .010]	-	②	①	329631
B	A	HOLES	FINISH	MATERIAL	PART NUMBER

THIS DRAWING IS A CONTROLLED DOCUMENT.

DWN P. ALSEDEK 16MAY90	 TE Connectivity NAME JAM NUT
CHK R.E. RUTH 06SEP90	
APVD M. PHILLIPS 20SEP90	
PRODUCT SPEC	
APPLICATION SPEC	SIZE A3
WEIGHT [.030 oz]	CAGE CODE 00779
CUSTOMER DRAWING	DRAWING NO C-329631
	RESTRICTED TO -
	SCALE 4:1
	SHEET 1 OF 1
	REV M1