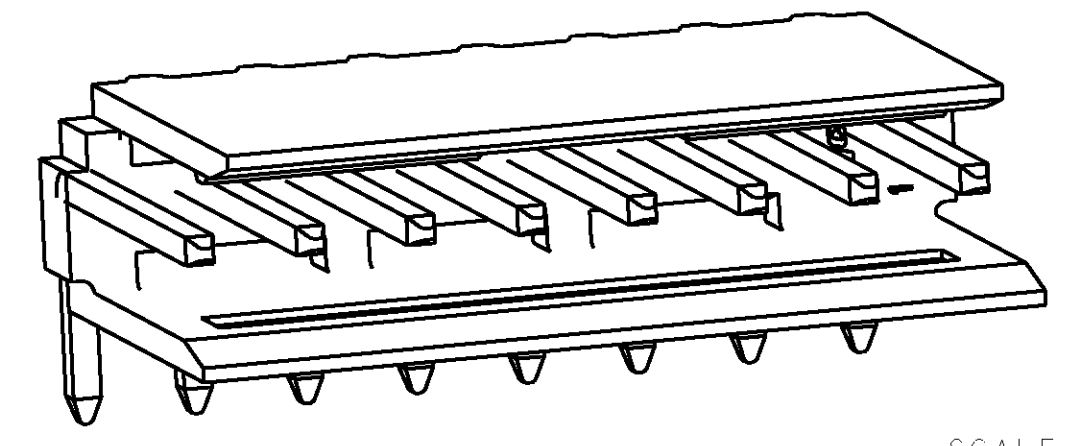
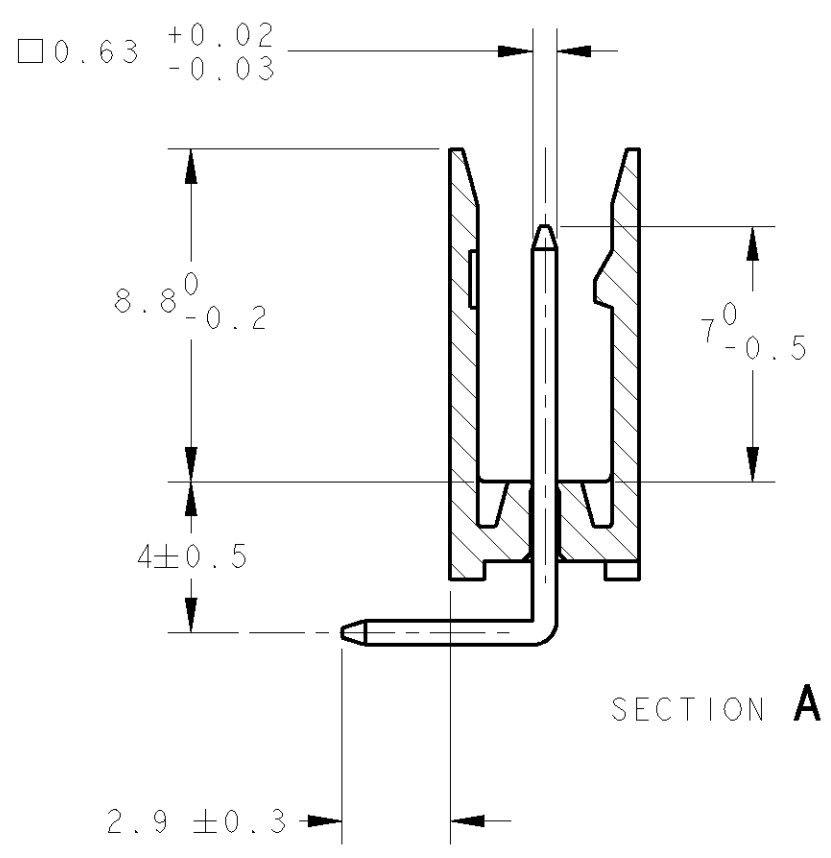
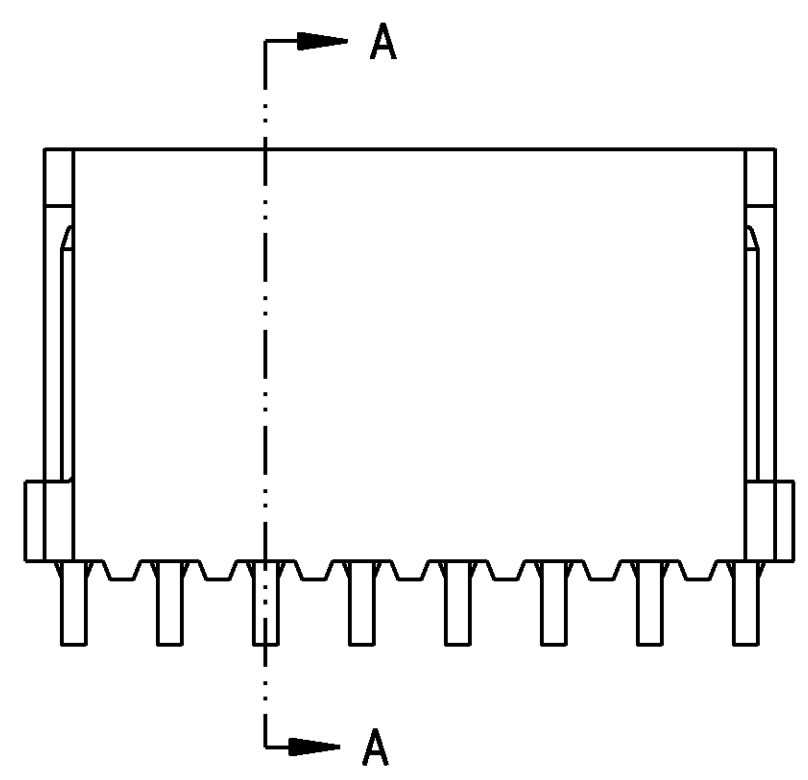


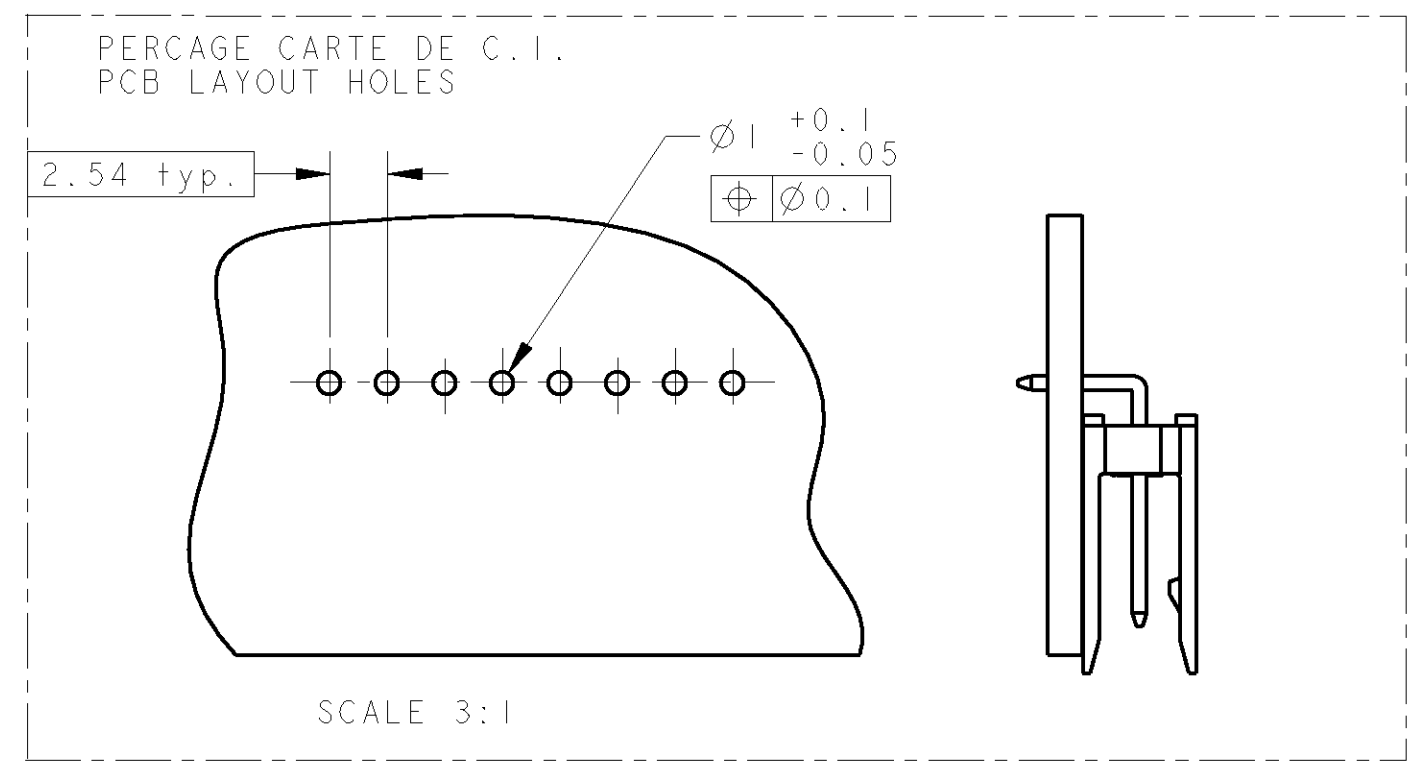
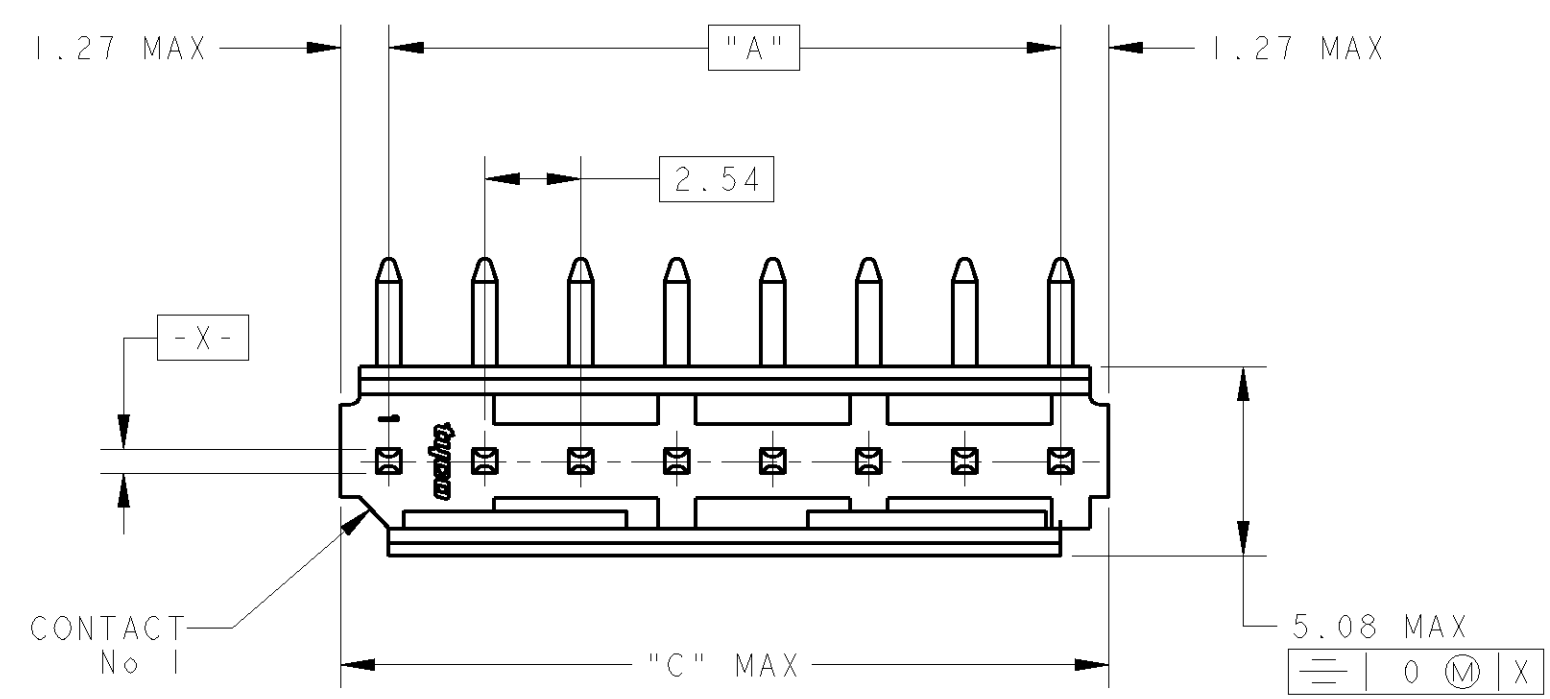
THIS DRAWING IS UNPUBLISHED.
 DIFFUSION RESTREINTE
 © COPYRIGHT 20 BY TYCO ELECTRONICS CORPORATION. ALL RIGHTS RESERVED.
 TOUS DROITS RESERVES

RELEASED FOR PUBLICATION
 LIBRE A LA DIFFUSION

LOC	DIST	REVISIONS					
		P	LTR	DESCRIPTION MODIFICATIONS	DATE	DWN DESS.	APVD APP.
F	7	E		CLARIFIE NOTE 3	12MAR2004	J.D	Y.P
		F		MATERIAL	09MAY2006	J.D	Y.P



SCALE 6:1



SCALE 3:1

45.72	43.18	18	1-281698-8 *
43.18	40.64	17	1-281698-7
38.10	35.56	15	1-281698-5 *
30.48	27.94	12	1-281698-2 *
25.40	22.86	10	1-281698-0 *
20.32	17.78	8	0-281698-8 *
17.78	15.24	7	0-281698-7
15.24	12.70	6	0-281698-6 *
12.70	10.16	5	0-281698-5 *
10.16	7.62	4	0-281698-4 *
7.62	5.08	3	0-281698-3 *
5.08	2.54	2	0-281698-2
C	A	Nb DE POS	PART NUMBER
DIMENSIONS			

NOTES:

1. CES EMBASES SONT PREVUES POUR ETRE ACCOUPLEES AVEC LES FICHES "HE1402" SIMPLE RANGEE.
(These headers are designed to be mated with "HE1402" connectors single row)
2. LES REFERENCES SUIVIES D'UN * SONT LES VERSIONS NORMALISEES SELON LA NORME CEI 603-8
(The parts numbers followed by * are covered by the international standard IEC 603-8)
3. REVETEMENT DES CONTACTS: ETAIN PUR SUR NICKEL
(Contacts plating: lead free tin over nickel)
4. MATIERE PLASTIQUE: TERMO-PLASTIQUE HAUTE TEMPERATURE, UL-94V0, COULEUR BLEUE
(Plastic material: High temperature thermoplastic, UL-94V0, Blue color)
MATIERE DES CONTACTS: BRONZE PHOSPHOREUX
(Contacts material: phosphor bronze)

THIS DRAWING IS A CONTROLLED DOCUMENT FOR TYCO ELECTRONICS CORPORATION IT IS SUBJECT TO CHANGE AND THE CONTROLLING ENGINEERING ORGANIZATION SHOULD BE CONTACTED FOR THE LATEST REVISION. CE PLAN EST UN DOCUMENT CONTROLÉ PAR AMP INCORPORATED. IL EST SUSCEPTIBLE D'ÊTRE REVISÉ, CONTACTER LE SERVICE TECHNIQUE D'AMP DE FRANCE POUR OBTENIR LA DERNIÈRE RÉVISION.		DWN/DESSINE 22NOV2000 C. COMBEDOUZON CHK/VERIFIE 22NOV2000 T. CORRIOL APVD/APPROUVE 22NOV2000 Y. PETRONIN		AMP DE FRANCE 95301 PONTOISE	
DIMENSIONS: mm		TOLERANCES UNLESS OTHERWISE SPECIFIED: TOLERANCES NON SPECIFIEES (SUIV NB DE DECIMALES) 0 PLC/DEC: ± 1 PLC/DEC: ±0.3 2 PLC/DEC: ± 3 PLC/DEC: ± 4 PLC/DEC: ± ANGLES ±°		NAME/TITRE HEADERS HE14, SINGLE ROW, RIGHT ANGLE	
MATERIAL/MATIERE SEE/VOIR NOTE 4		FINISH/FINITION SEE/VOIR NOTE 3		PRODUCT SPEC SPEC. PRODUIT 108-15053 APPLICATION SPEC SPEC. APPLICATION	
WEIGHT MASSE APPROX. -		SIZE/FORMAT A2		CAGE CODE 00779	
CUSTOMER DRAWING /PLAN CLIENT		UNIFORMEMENT POUR REFERENCE SCALE/ECHELLE 5:1		DRAWING NO No PLAN C-281698 RESTRICTED TO RESERVE A	