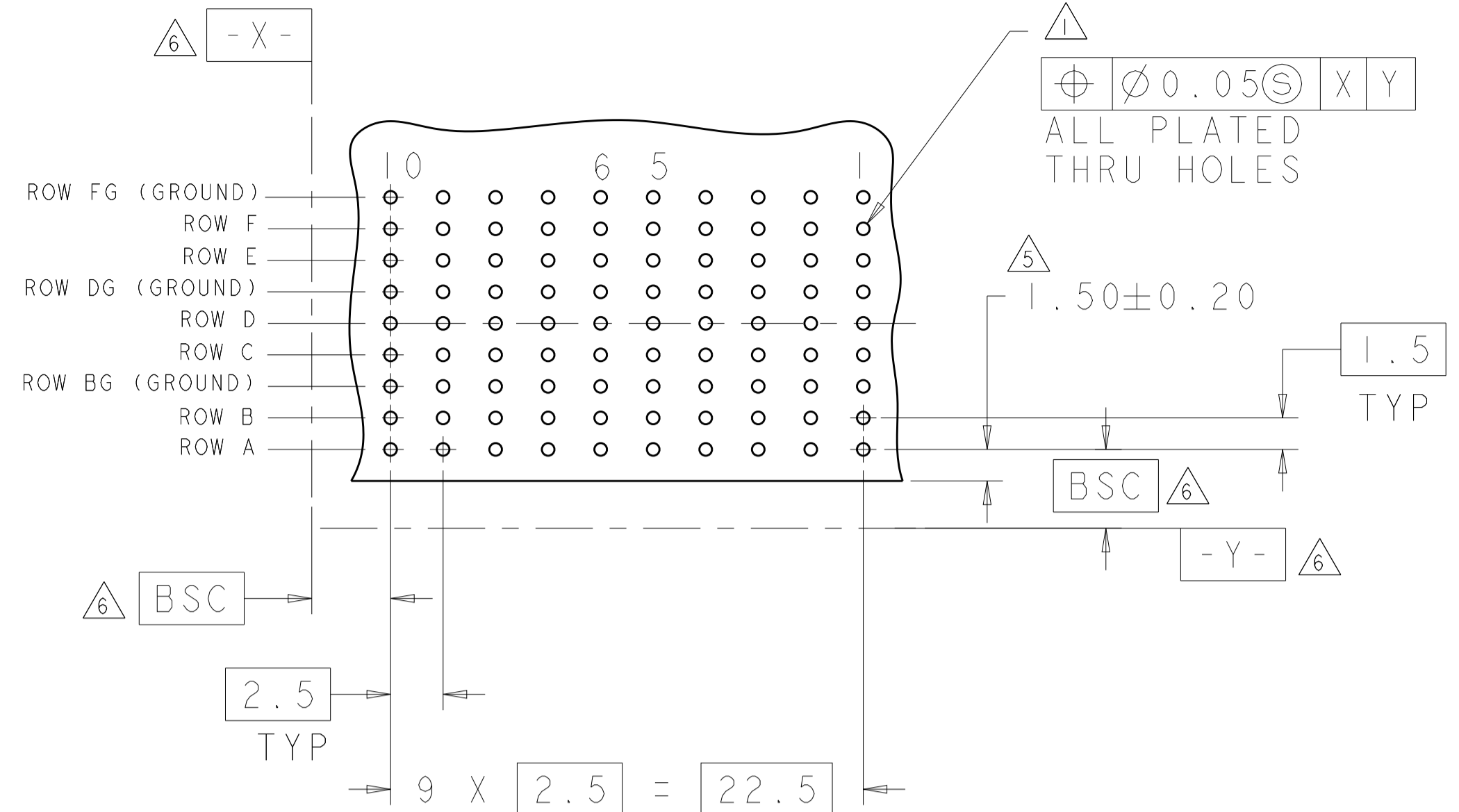
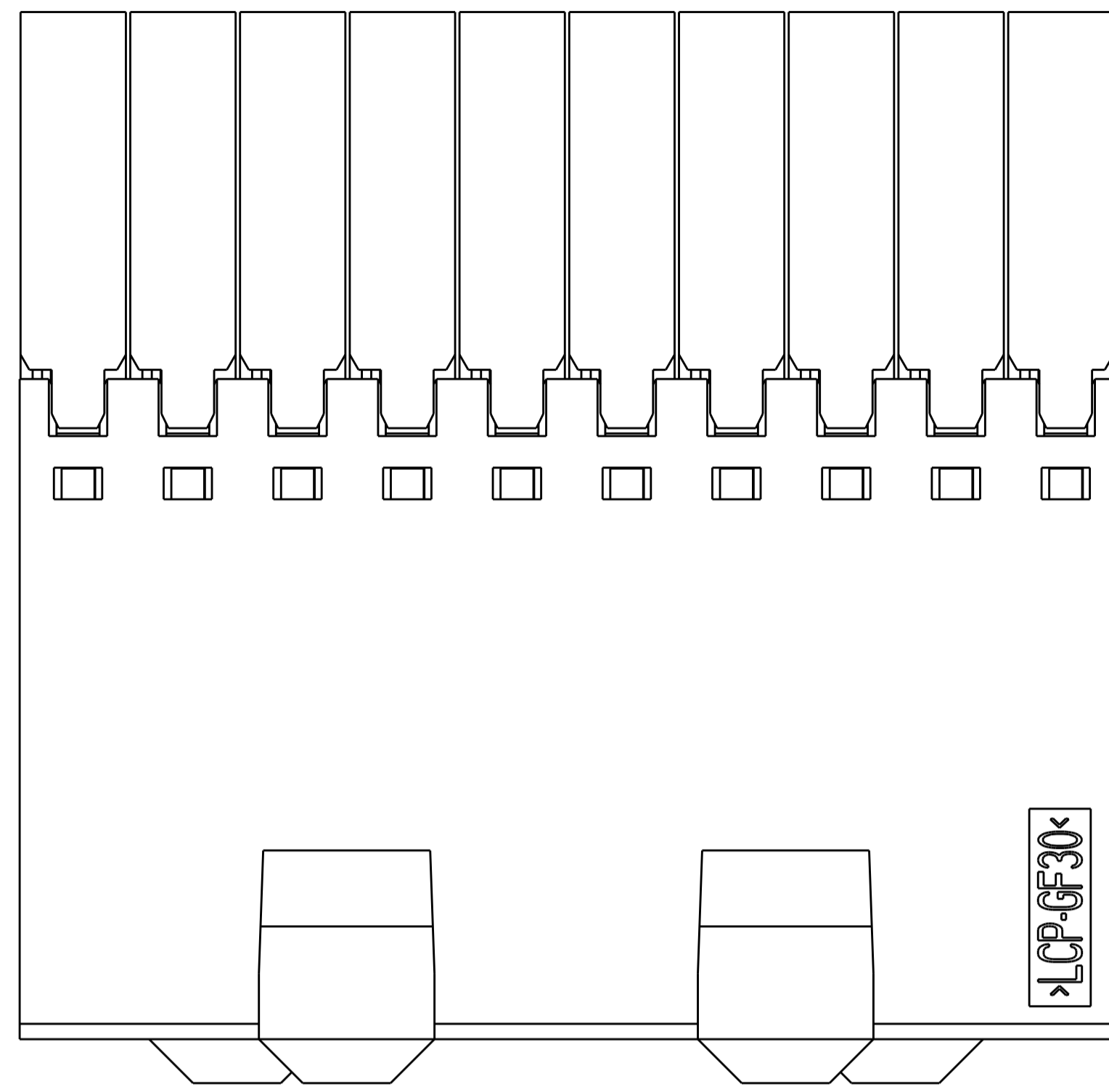
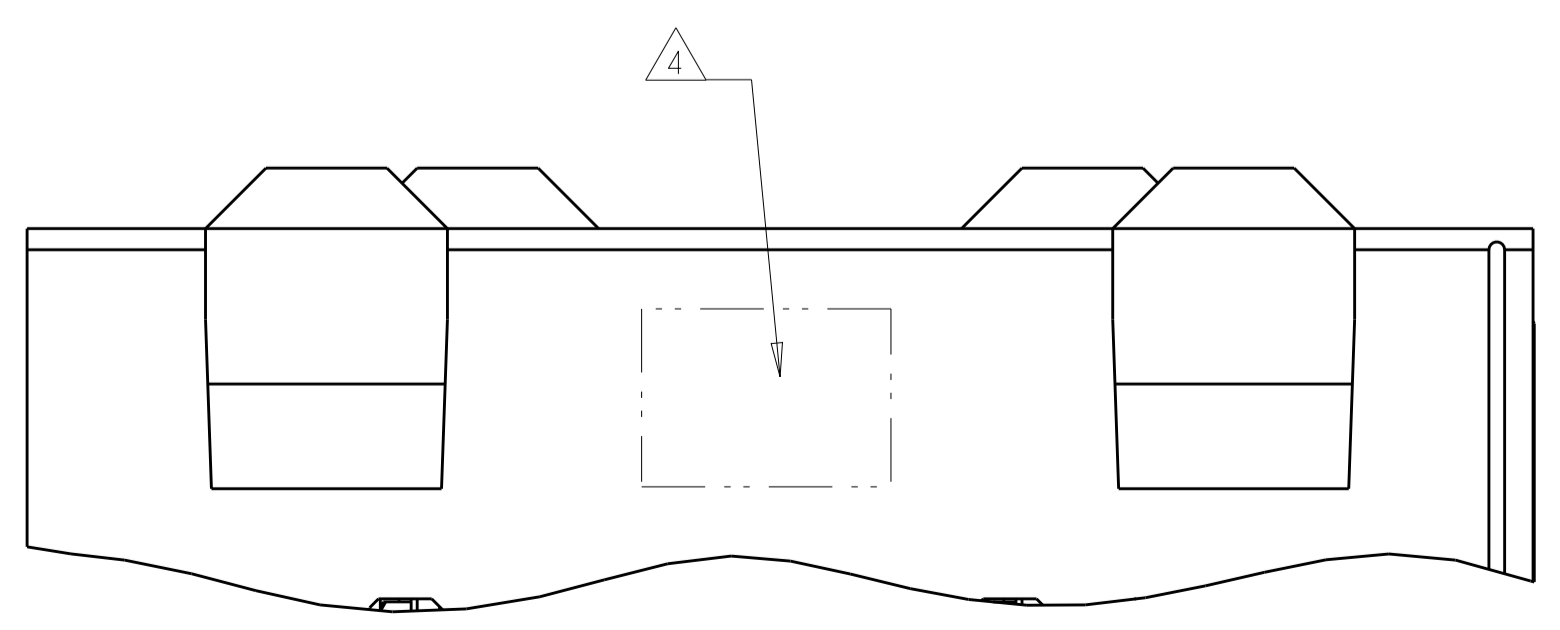
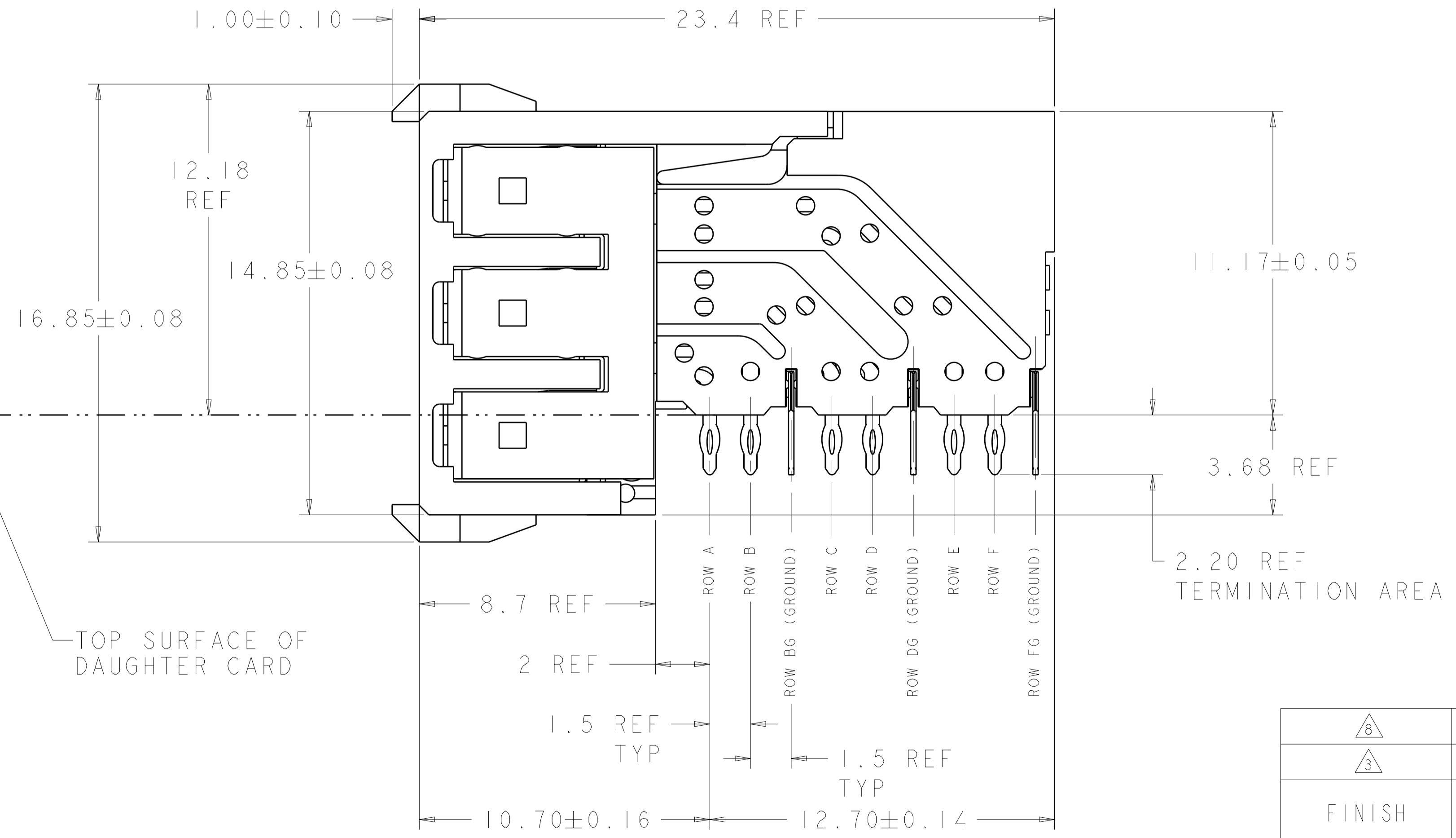
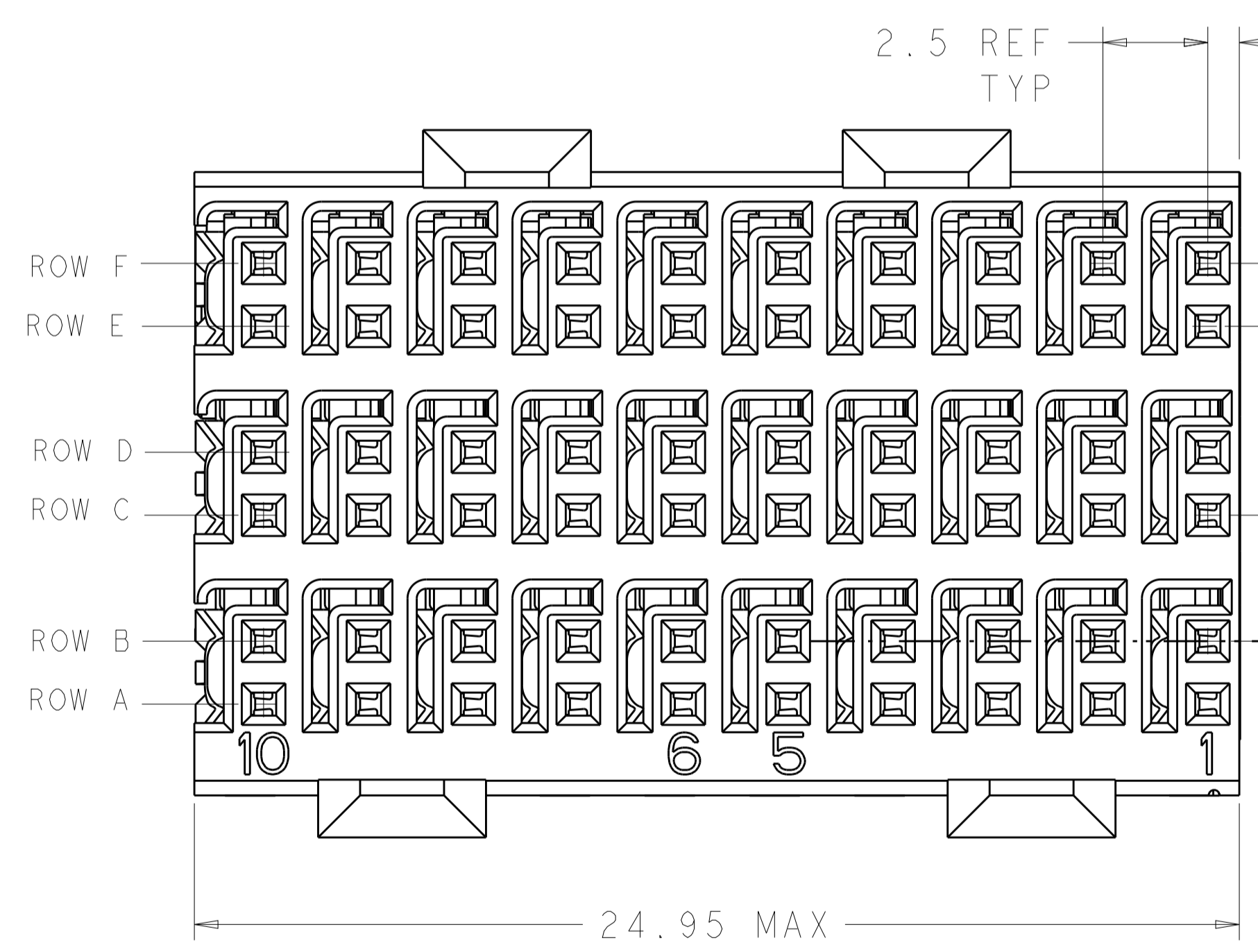


LOC		DIST		REVISIONS				
AD	00	P	LTN	DESCRIPTION	DATE	DMN	APVD	
		D1		REVISED PER ECO-13-009627	16DEC2013	KH	MH	



RECOMMENDED PC BOARD LAYOUT,
 DAUGHTER BOARD,
 COMPONENT SIDE SHOWN
 SCALE 4:1

- △ REFERENCE APPLICATION SPEC 114-13059 FOR RECOMMENDED PLATED THRU HOLE DIAMETER AND PLATING THICKNESSES.
- △ MATERIAL:
 SHIELD - PHOSPHOR BRONZE
 CONTACT - COPPER-NICKEL-SILICON
 HOUSING, CHICKLET AND CHICKLET COVER - GLASS FILLED POLYESTER, UL 94V-0 RATED.
- △ FINISH: SIGNAL AND GROUND CONTACTS:
 MATING AREA: MEETS THE PERFORMANCE REQUIREMENTS OF PRODUCT SPECIFICATION 108-2055; BASED ON TELCORDIA GR-1217-CORE, APPLICATIONS IN UNCONTROLLED ENVIRONMENTS
 COMPLIANT PIN AREA: 0.5µm MIN BRIGHT TIN-LEAD OVER BASE PLATING
- △ CONNECTOR MARKED WITH PART NUMBER AND DATE CODE IN APPROXIMATE AREA SHOWN.
- △ DIMENSION APPLIES TO CENTERLINE OF THRU HOLE
- △ DATUMS AND BASIC DIMENSIONS ESTABLISHED BY CUSTOMER
- 7. CONTACT AREA LUBRICATED WITH BELLCORE APPROVED LUBRICANT. TECHNICAL REFERENCE: GR-1217-CORE, ISSUE 1, NOVEMBER 1995.
- △ FINISH: CONTACT AND SHIELD
 MATING AREA - 1.27µm MIN GOLD OVER 1.27µm MIN NICKEL
 COMPLIANT PIN AREA - 0.05µm MIN BRIGHT TIN-LEAD OVER 1.27µm MIN NICKEL



△ 8	1469081-2
△ 3	1469081-1
FINISH	PART NUMBER

THIS DRAWING IS A CONTROLLED DOCUMENT.

DIMENSIONS:	TOLERANCES UNLESS OTHERWISE SPECIFIED:	DMN S. MAGARO 13MAY2002	CHK N. SCHROLL 13MAY2002	APVD B. PATTERSON 16MAY2007	NAME
mm	0 PLC ±				RECEPTACLE ASSEMBLY, 3 PAIR, 25mm, HMZd
	1 PLC ±				SIZE CAGE CODE DRAWING NO RESTRICTED TO
	2 PLC ±				A100779C=1469081
	3 PLC ±				SCALE 8:1 SHEET 1 OF 1 REV D1
	4 PLC ±				
	ANGLES ±				
MATERIAL	FINISH SEE TABLE	CUSTOMER DRAWING			

STE TE Connectivity