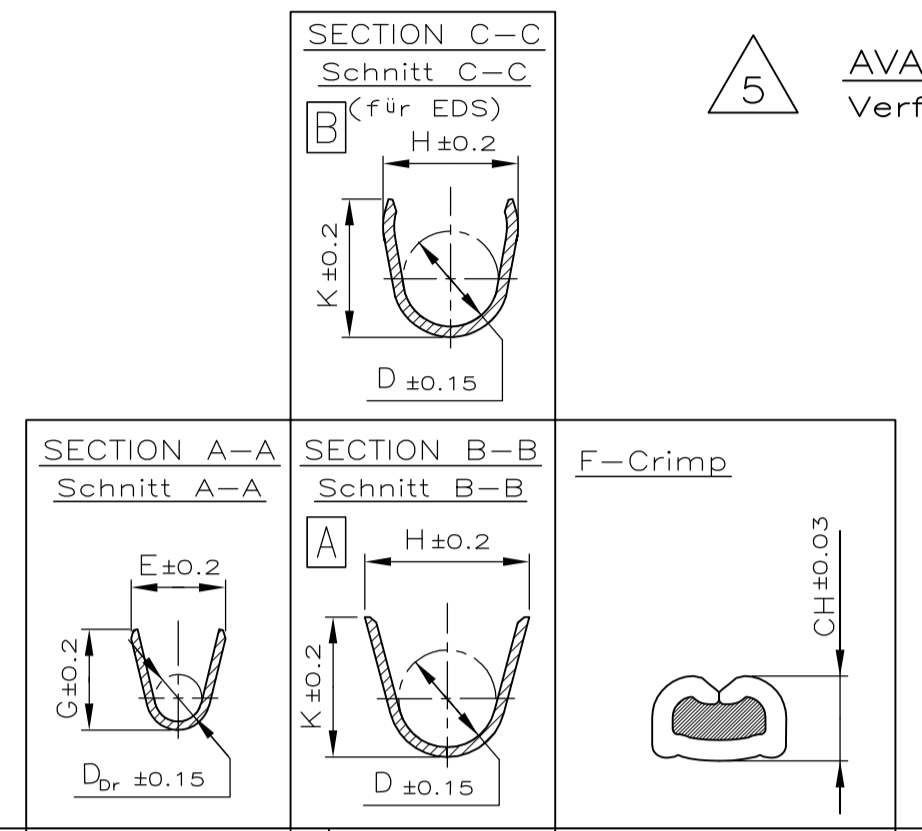


LOC	DIST	REVISIONS			
AI	-	MINOR	DESCRIPTION	DATE	DW
		DESCRIPTION	BESCHREIBUNG		APVD
PROJECT NR.	A6	REVISED PER	ECO-11-005150	21MAR11	RK HMR

**REMARKS**  
Bemerkungen

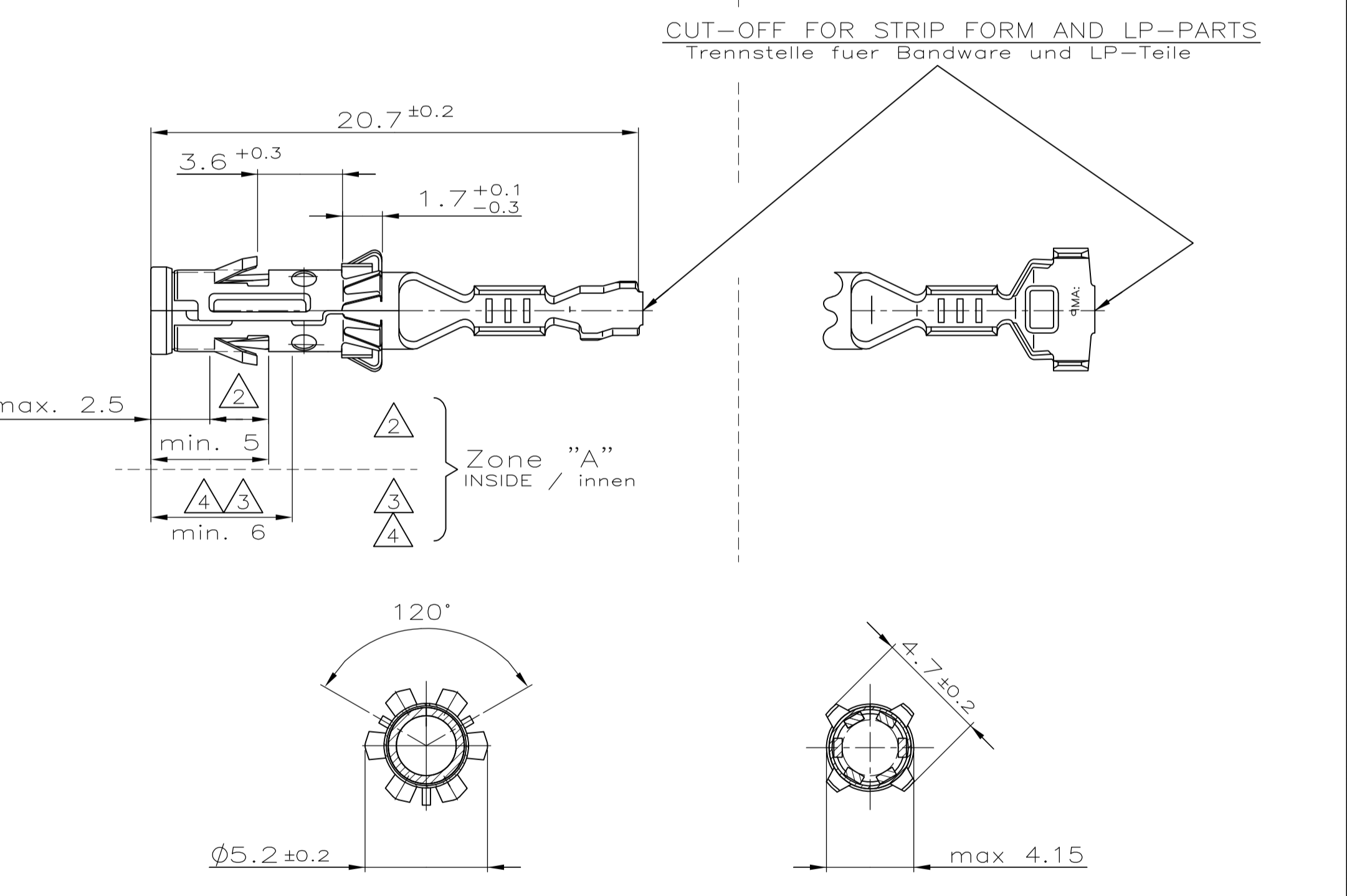
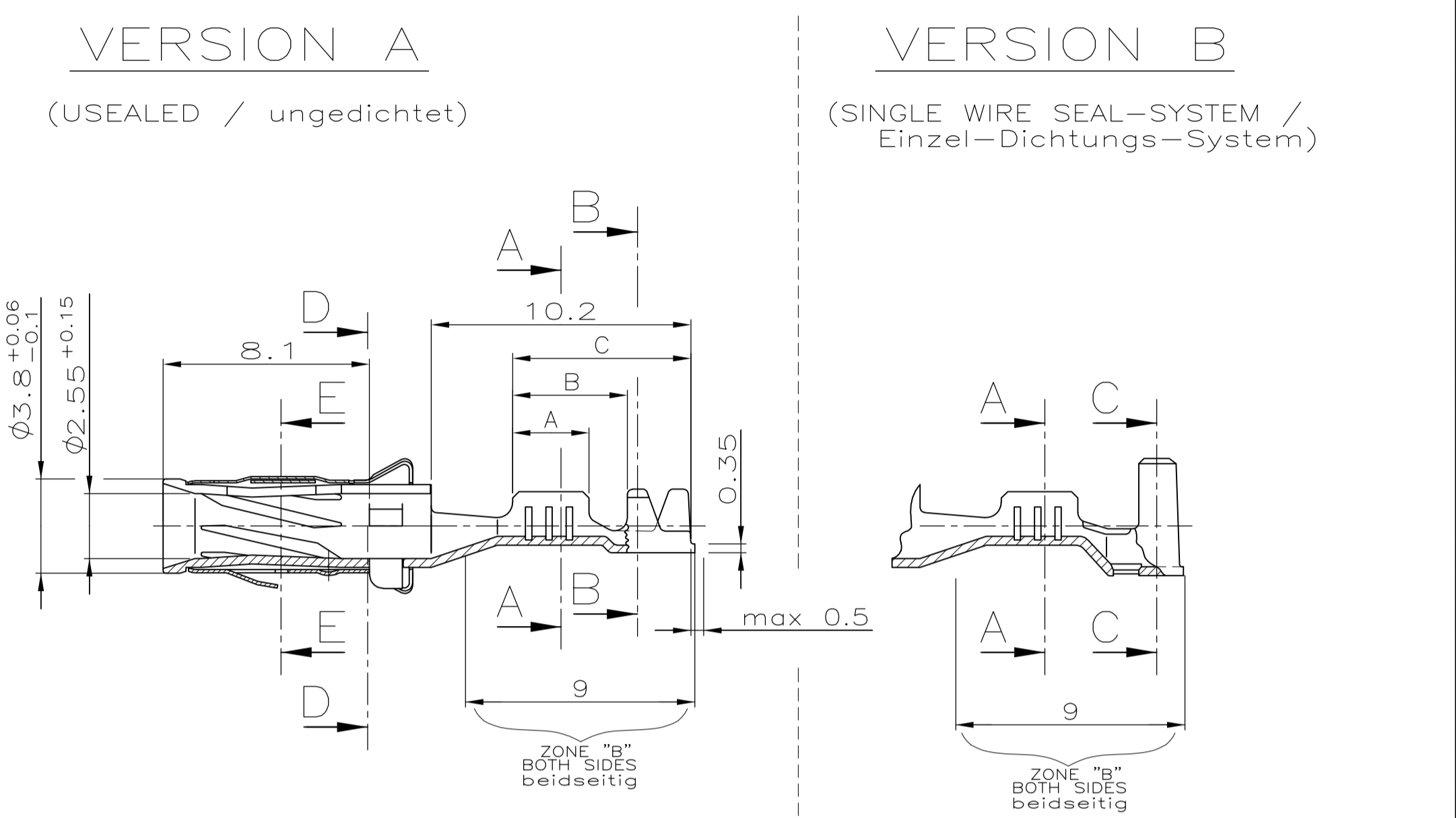
- 1 PRE TINNED 1-2µm vorverzint
- 2 ZONE "A": MIN 0.8µm ELECTROPL. Au OVER MIN 1.3µm ELECTROPL. Ni LAYER  
min 0.8µm galv. Au über min 1.3µm galv. Ni  
ZONE "B": 1-2µm ELECTROPL. Sn OVER MIN 0.1µm ELECTROPL. Ni  
1-2µm galv. Sn über min 0.1µm galv. Ni  
REST: min 0.1µm ELECTROPL. Ni  
min 0.1µm galv. Ni
- 3 ZONE "A": MIN 3µm ELECTROPL. Ag  
min. 3µm galv. Ag  
REST: 0.5µm ELECTROPL. Ag  
0.5µm galv. Ag

- 4 ZONE "A": MIN 3µm ELECTROPL. Ag  
min 3µm galv. Ag  
ZONE "B": 1-3µm ELECTROPL. Sn  
1-3µm galv. Sn  
REST: SILVER OR TIN ALLOWED IN TRANSITION AREAS.OVERLAPPING LAYERS  
AND PLAIN SURFACES ARE NOT ALLOWED.  
Silber oder Zinn im Übergangsbereich erlaubt.  
überlagernde Schichten oder blanke Stellen sind nicht erlaubt.
- 5 AVAILABILITY MUST BE CHECKED BY TE CONNECTIVITY  
Verfügbarkeit ist von TE CONNECTIVITY zu prüfen



Version B (SINGLE WIRE SEAL-SYSTEM / Einzel-Dichtungs-System)	Part No.	Material	Surface	DGB [mm²]	WIRE CRIMP	INSUL.-CRIMP	WIRE CRIMP HEIGHT CH	APPLICATION TOOL	HAND TOOL	A	B	C	ORDER-Nr.	ORDER-Nr.
													SINGLE SEAL	DEAD END PLUG
FLR	1-929975-0	CuFe2	2	>1.0-2.5	E = 3.6	H = 5.0	2.5mm² = 1.97	MQC-Applicator	734289-2	4	6.9	8.5	828921-1	828922-1
	929975-9	CuNiSi	3	G = 3.8	K = 5.0	2.0mm² = 1.82	2-878486-2							
	929975-8	CuNiSi	2	Dcr = 1.7	D = 3.6	1.5mm² = 1.67								
	929975-7	CuNiSi	3											
	929975-4	CuFe2	1											
	929975-1	CuNiSi	1											
	1-929974-4	CuNiSi	4											
	1-929974-0	CuFe2	2											
	929974-9	CuNiSi	3											
	929974-8	CuNiSi	2											
FLR	929974-7	CuNiSi	3	0.5-1.0	E = 2.6	H = 4.8	1.0mm² = 1.45	MQC-Applicator	734289-1	3	5.4	7	828920-1	828922-1
	929974-4	CuFe2	1	G = 2.8	K = 4.8	0.75mm² = 1.36	2-878485-2							
	929974-1	CuNiSi	1	Dcr = 1.1	D = 3.2	0.5mm² = 1.27								
	1-929973-0	CuFe2	2											
	929973-9	CuNiSi	3											
	929973-8	CuNiSi	2											
	929973-7	CuNiSi	3	0.2-0.4	E = 2.1	H = 4.5	-	MQC-Applicator	734289-1	3	5.4	7	828920-1	828922-1
	929973-4	CuFe2	1	G = 2.1	K = 4.5	0.35mm² = 1.11	2-878484-2							
	929973-1	CuNiSi	1	Dcr = 0.8	D = 3.2	-								

Version A (UNSEALED / ungedichtet)	Part No.	Material	Surface	DGB [mm²]	WIRE CRIMP	INSUL.-CRIMP	WIRE CRIMP HEIGHT CH	APPLICATION TOOL	HAND TOOL	A	B	C	ORDER-Nr.	ORDER-Nr.
													SINGLE SEAL	DEAD END PLUG
FLR	1-929972-0	CuFe2	2	>2.5-4.0	E = 4.3	H = 5.4	4.0mm² = 2.30	MQC-Applicator	734285-3	4	5.5	8.5		
	929972-9	CuNiSi	3	G = 4.5	K = 5.6	3.0mm² = 2.05	2-878483-2							
	929972-8	CuNiSi	2	Dcr = 2.4	D = 3.2									
	929972-7	CuNiSi	3											
	929972-4	CuFe2	1											
	929972-1	CuNiSi	1											
	1-929971-0	CuFe2	2											
	929971-9	CuNiSi	3											
	929971-8	CuNiSi	2											
	929971-7	CuNiSi	3	0.2-0.4	E = 3.6	H = 4.3	2.5mm² = 1.97	MQC-Applicator	734285-2	4	5.5	8.5		
FLR	929971-4	CuFe2	1	>1.0-2.5	G = 3.8	K = 4.5	2.0mm² = 1.82	2-878482-2						
	929971-1	CuNiSi	1	Dcr = 1.7	D = 2.6	1.5mm² = 1.67								
	1-929970-0	CuFe2	2											
	929970-9	CuNiSi	3											
	929970-8	CuNiSi	2											
	929970-7	CuNiSi	3											
	929970-4	CuFe2	1											
	929970-1	CuNiSi	1											
	1-929969-0	CuFe2	2											
	929969-9	CuNiSi	3											
FLR	929969-8	CuNiSi	2	0.2-0.4	E = 2.1	H = 2.5	0.35mm² = 1.11	MQC-Applicator	734285-1	3	4.5	7		
	929969-7	CuNiSi	3	G = 2.1	K = 2.5	0.25mm² = 1.07	2-878480-2							
	929969-4	CuFe2	1											
	929969-1	CuNiSi	1	Dcr = 0.8	D = 1.4	0.2mm² = 1.05								



ORDER-Nr.	ORDER-Nr.	MATERIAL	SURFACE	DGB [mm²]	WIRE CRIMP	INSUL.-CRIMP	WIRE CRIMP HEIGHT CH	APPLICATION TOOL	HAND TOOL	A	B	C	
STRIP FORM	LOOSE PIECE	Werkstoff	Oberfläche	[mm²]	Drahtcrimp	Isol.-Crimp	Drahtcrimp-Höhe CH	Anschlag-WKZ	Handzange				
					CRIMP DIMENSION (mm)			EXTRACTION TOOL					
					Crimpabmessungen (mm)			Ausdrückwerkzeug					
								Nr.: 872070-1					

THIS DRAWING IS A CONTROLLED DOCUMENT. DIESE ZEICHNUNG IST EIN KONTROLLIERTES DOKUMENT.		DIN C. Goeltz 25-JUN-2001	STE TE Connectivity	
DIMENSIONS: DIMENSIONEN mm		CIK J. Granzow 25-JUN-2001	NAME	
TOLERANCES UNLESS OTHERWISE SPECIFIED: ALLE TOLERANZEN UNLESS OTHERWISE SPECIFIED:		APVD	DIA. 2.5MM SOCKET CONTACT	
0-FRE ± 0.15 mm		PRODUCT SPEC 108-18027	DIA 2.5mm Buchsenkontakt	
1-PL ± -		APPLICATION SPEC 114-18020	SIZE A1	
2-PL ± -		WEIGHT	SCALE 5:1	
3-PL ± -		FINISH/OBERFLÄCHE/FARBE	SHEET 1 OF 1	
4-PL ± -		SEE TABLE	REV A6	
ANGLES / WINKEL ± 1°		CUSTOMER DRAWING / KUNDENZEICHNUNG		