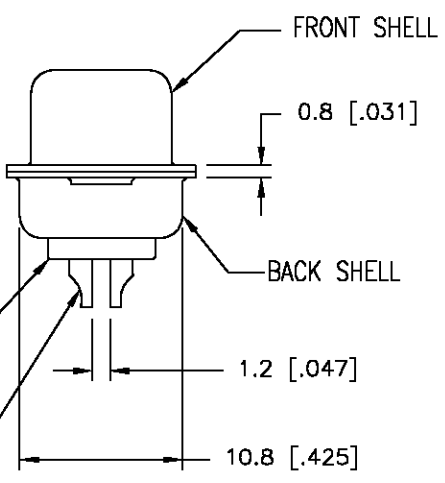
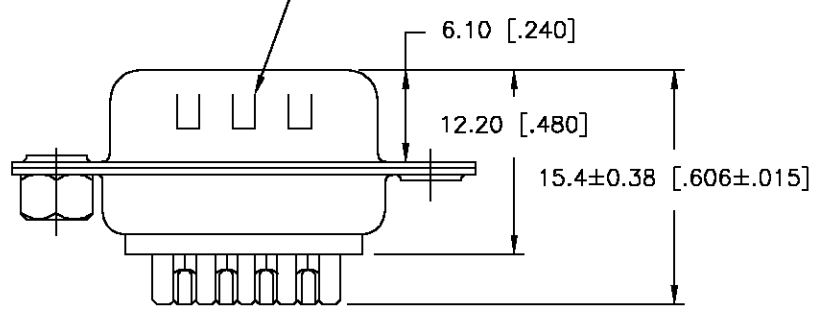
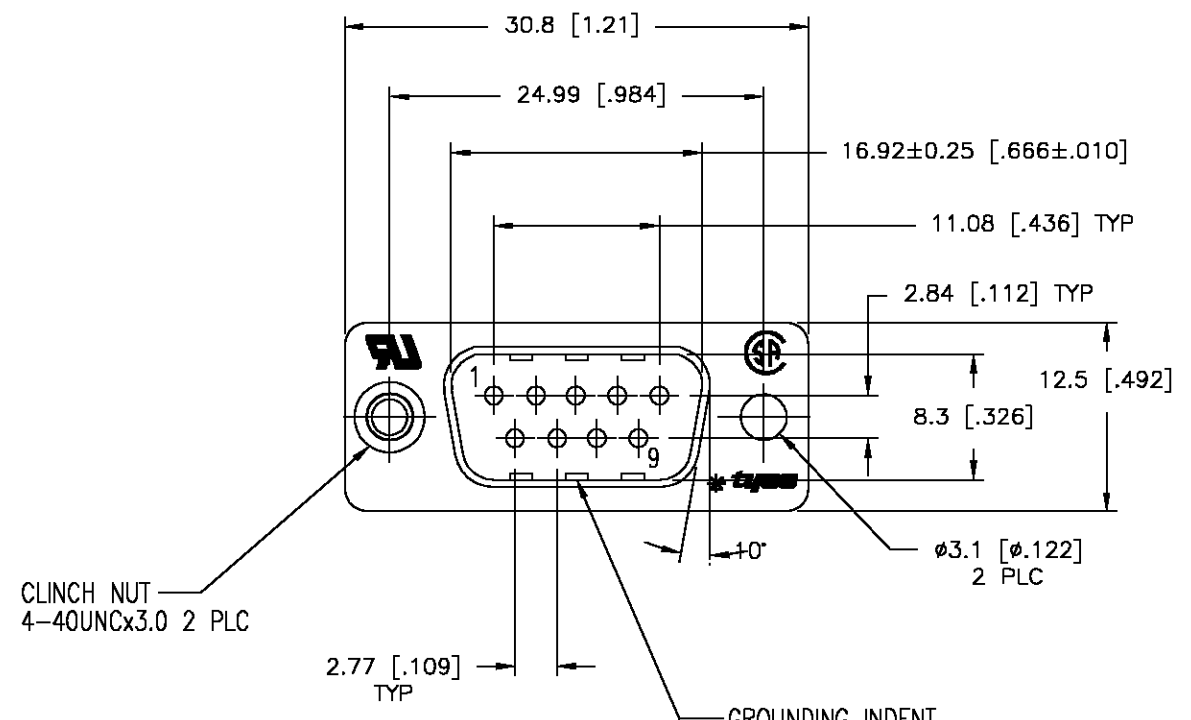


THIS DRAWING IS UNPUBLISHED. RELEASED FOR PUBLICATION  
 © COPYRIGHT - BY TYCO ELECTRONICS CORPORATION. ALL RIGHTS RESERVED.

LOC	DIST	REVISIONS					
BD	00	P	LTR	DESCRIPTION	DATE	DWN	APVD
			R	REV PER 0G3C-0852-04	21JAN05	MB	JO

- MATERIAL:**
- △ FRONT INSULATOR: PBT, 30 %GF, UL94V-0, BLACK COLOR
  - △ BACK INSULATOR: PBT, 30 %GF, UL94V-0, BLACK COLOR
  - △ CONTACT: BRASS
  - △ FRONT SHELL: STEEL
  - △ BACK SHELL: STEEL
  - △ CLINCH NUTS: BRASS
- FINISH:**
- △ CONTACT: GOLD PLATING 0.00002[.0000008] MIN ON CONTACT AREA 0.00229 [0.000090] MIN TIN-LEAD PLATING ALL OVER 0.00127[.000050] MIN NICKEL
  - △ CONTACT: GOLD PLATING 0.00076[.000030] MIN ON CONTACT AREA 0.00229 [0.000090] MIN TIN-LEAD PLATING ALL OVER 0.00127[.000050] MIN NICKEL
  - △ SHELL: TIN 0.0241[.000095] MIN FULL SHELL
  - △ SHELL: ZINC 0.00076[.000300] MIN FULL SHELL
  - △ CONTACT: GOLD PLATING 0.00002[.0000008] MIN ON CONTACT AREA 0.00229 [0.000090] MIN TIN-COPPER PLATING ALL OVER 0.00127[.000050] MIN NICKEL
  - △ CLINCH NUTS: NICKEL PLATING .00305-.00508[.000120-.000200]
- 8. SPECIFICATION**
- ELECTRICAL CHARACTERISTICS: CURRENT RATING: 3 AMPERES  
 DIELECTRIC WITHSTANDING VOLTAGE: AC 1000V r.m.s  
 INSULATION RESISTANCE: 5000 MEGOHMS MINIMUM AT DC 500V  
 CONTACT RESISTANCE: 10 MILLIOHMS MAXIMUM.

- △ ROHS 2002/95/EC/COMPLIANT
- 10. PLUG ASSEMBLY MATES WITH ANY 9 POSITION RECEPTACLE IN AMPLIMITE SERIES
- 11. SOLDER CUP WILL ACCOMODATE 20 AWG MAX WIRE



△ 9	STANDARD	NO	YES	△	△	747904-9
	STANDARD	YES	YES	△	△	747904-8
	STANDARD	NO	YES	△	△	747904-5
	STANDARD	NO	NO	△	△	747904-4
	STANDARD	NO	YES	△	△	747904-2
	PACKAGING TYPE	CLINCH NUTS	GROUNDING INDENTS	CONTACTS	SHELLS	PART NO

THIS DRAWING IS A CONTROLLED DOCUMENT.

DWN	M.BINNER	03MAR03	Tyco Electronics Corporation Harrisburg, PA
CHK	R.BENDORF	05MAR03	
APVD	R.BENDORF	05MAR03	
PRODUCT SPEC			NAME
APPLICATION SPEC			PLUG ASSY, SOLDER CUP, SIZE 1, 9 POSN, HD-20, AMPLIMITE
SIZE	CAGE CODE	DRAWING NO	RESTRICTED TO
A3	00779	C-747904	-
CUSTOMER DRAWING			SCALE 2:1 SHEET 1 OF 1 REV R

DIMENSIONS:	TOLERANCES UNLESS OTHERWISE SPECIFIED:
MM	
0 PLC	± -
1 PLC	± 0.25
2 PLC	± 0.13
3 PLC	± 0.05
4 PLC	± -
ANGLES	± 4°
MATERIAL	FINISH
△	SEE TABLE