

Sockets and Accessories

Sockets and accessories for DIN rail

relay	socket		plastic retaining clip				metal retaining clip		module	marking tag
SNR	ST1F000	ST16016								ST16040
	rel.height	12.3mm	15.7mm	25.5mm						
RY pinning 3.2	RY78626	RY16046							RPMxxxxx	RY16040
RY pinning 5.0										
E pinning 2.5	RP78623			RP16104					RPMxxxxx	RY16040
RT pinning 3.5	RT78724		RT17016						PTMxxxxx	RT17040
	RT78624		RT16016						RPMxxxxx	RY16040
RT pinning 5.0	RT78726		RT17016						PTMxxxxx	RT17040
	RT78625		RT16016						RPMxxxxx	RY16040
	RT78626		RT16016						RPMxxxxx	RY16040
RP pinning 3.5	RT78724		RT17016						PTMxxxxx	RT17040
	RT78624		RP16104						RPMxxxxx	RY16040
RP pinning 5.0	RT78726		RT17016						PTMxxxxx	RT17040
	RT78625		RP16104						RPMxxxxx	RY16040
	RT78626		RP16104						RPMxxxxx	RY16040
	rel.height	29mm	34.6mm	35.2mm	36.6mm	37.6mm	29mm	36mm		
PT2	PT78720	PT17016	PT17017	PT17018	PT17019	PT17020	PT28800	ZG28801	PTMxxxxx	PT17040
	PT78702	PT16016					PT28800	ZG28801	RPMxxxxx	PT16040
	PT78741	PT17016	PT17017	PT17018	PT17019	PT17020	PT28800	ZG28801	PTMT00A0	PT17040
PT3	PT78730	PT17016	PT17017	PT17018	PT17019	PT17020	PT28800	ZG28801	PTMxxxxx	PT17040
	PT78703	PT16016					PT28800	ZG28801	RPMxxxxx	PT16040
PT5	PT78740	PT17016	PT17017	PT17018	PT17019	PT17020	PT28800	ZG28801	PTMxxxxx	PT17040
	PT78741	PT17016	PT17017	PT17018	PT17019	PT17020	PT28800	ZG28801	PTMT00A0	PT17040
	PT78704	PT16016					PT28800	ZG28801	RPMxxxxx	PT16040
MT2	MT78755						MT28800			
	MT78745						MT28800		MTMxxxxx	
MT3	MT78750						MT28800			
	MT78760						MT28800			
	MT78740						MT28800		MTMxxxxx	
PCLH	TM78700						TM28800			
RMxx2	RM78704									
	RM78705									

Sockets and Accessories for printed circuit board

relay	socket	plastic retaining clip			metal retaining clip		in mounting plate		
							socket	metal retaining clip	
	rel.height	12.3mm	15.7mm	25.5mm	15.7mm	25.5mm			
RY pinning 3.2	RY78600	RY16037							
RY pinning 5.0	RY78602	RY16037							
E pinning 2.5	RP78600			RP16100		RP28500			
RT pinning 3.5	RP78601		RT16041		RT28516				
RT pinning 5.0	RP78602		RT16041		RT28516				
RP pinning 3.5	RP78601			RP16100		RP28500			
RP pinning 5.0	RP78602			RP16100		RP28500			
	rel.height				29mm	36mm		29mm	36mm
PT2	PT78604				PT28802	ZG28800	PT78600	PT28802	ZG28800
	PT78602				PT28802	ZG28800	PT78601	PT28802	ZG28800
PT3	PT78603				PT28802	ZG28800			
PT5	PT78604				PT28802	ZG28800	PT78600	PT28802	ZG28800
							PT78601	PT28802	ZG28800
MT2	MT78602						MT78612		
MT3	MT78603						MT78613		
PCLH									
RMxx2	RM78702				RM28802		RM78700	RM28802	
							RM78701	RM28802	

All sockets in this catalog have been tested and approved with the Tyco Electronics Schrack product range. For combination of sockets with other relays with similar design and pinning we cannot take responsibility for any malfunction.

Accessories Slim Interface Relay SNR



F0222-B

Features

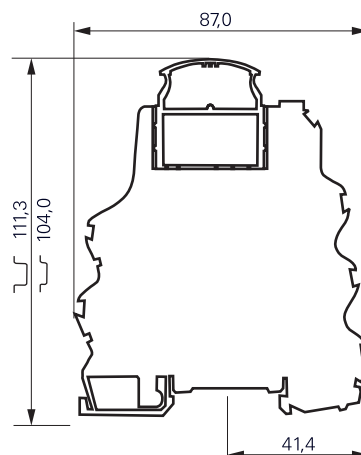
- Module width 5.08 mm
- Reduced system width for increased packing density on the DIN rail
- Jumper bars

Dimensions in mm



Technical data

Rated current / rated voltage	6 A / 250 Vac
Dielectric strength coil-contact	>4000 V _{rms}
Insulation category (VDE 0110b)	C / 250
Ambient temperature	-20...55 °C
Protection category	IP 20
Protection against accidental contact meets	VBG 4
Wire cross section with/without bootlace crimp	0.22...2.5mm ²
Terminal torque nom./max.	0.4 / 0.6 Nm
Packaging unit	10 pcs.



Accessories

Product code		Part Number
ST 1F 000	Socket without LED	4-1415024-1
ST 1F L24	Socket with LED, 12...24 Vdc	5-1415024-1
ST 16 016	Mounting frame for relay, without marking	6-1415024-1
ST 17 002	Jumper bar 2 pole	7-1415024-1
ST 17 005	Jumper bar 5 pole	8-1415024-1
ST 17 010	Jumper bar 10 pole	9-1415024-1
ST 16 040	Marking plate, consisting of 100 marking tags	0-1415025-1



Available sets

Set consisting of: relay in mounting frame, mounted on socket

Product code		Part Number
ST 1P3 024	24 Vdc, AgSnO ₂ contacts	3-1415024-1
ST 1P3 L12	12 Vdc, with LED, AgSnO ₂ contacts	2-1415025-1
ST 1P3 L24	24 Vdc, with LED, AgSnO ₂ contacts	3-1415025-1
ST 1P3 L48	48 Vdc, with LED, AgSnO ₂ contacts	4-1415025-1
ST 1P2 L24	24 Vdc, with LED, AgSnO ₂ gold plated contacts	6-1415025-1

Accessories Miniature PCB Relay RYII

and similar design: pinning 3.2 / 5 mm



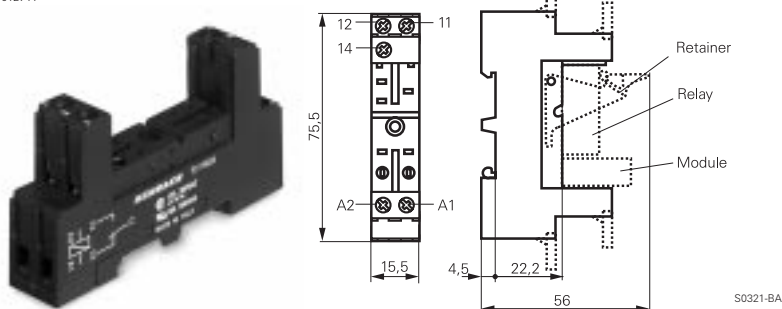
Features

- Socket with PCB- or screw terminals
- No reduction of protection class or creepage/clearance with plastic retainer
- Easy replacement of relays
- Socket can be used as connector for diagnosis function
- Not suitable for MSR-type

Dimensions in mm
View on solder pins

RYII Socket with screw-type terminals for DIN-rail mounting

F0127-A



RY 78 626 Socket with screw-type terminals for DIN-rail mounting, pinning 3.2 mm



Technical data

Rated current	12 A
Rated voltage	300 Vac
Dielectric strength coil/cont.	>4000 V _{rms}
Insulation cat. (VDE 0110b)	C / 250 Vac
Ambient temperature	-25...+85 °C
Protection category	IP 20
Protection against accidental contact meets	VBG 4
Wire cross section	2 x 2.5 mm ²
with bootlace crimp	2 x 1.5 mm ²
Packaging unit	10 pcs.

Socket with screw-type terminals for DIN-rail mounting

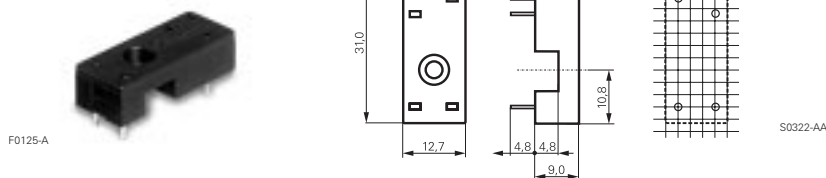
Type	Part Number
RY 78 626 Socket with screw-type terminals for DIN-rail mounting, pinning 3.2 mm	7-1393161-8

Accessories for RY 78 626

RY 16 046 Plastic retaining clip	7-1393161-1
RY 16 040 Marking tag	6-1393161-8
RPM Modules see accessories RT / RP	

RYII Socket with PCB terminals

RY 78 600 pinning 3.2 mm



RY 78 600 Socket with PCB terminals, pinning 3.2 mm



Technical data

Rated current	12 A
Rated voltage	300 Vac
Dielectric strength coil/cont.	>5000 V _{rms}
Insulation cat. (VDE 0110b)	C / 250 Vac
Ambient temperature	-40...+80 °C
Packaging unit	100 pcs.

Socket with PCB terminals

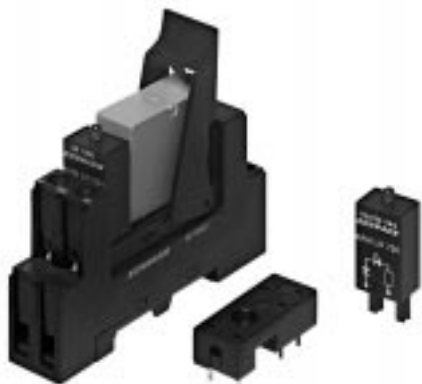
Type	Part Number
RY 78 600 Socket with PCB terminals, pinning 3.2 mm	7-1393161-3

Accessories for RY 78 600

RY 16 037 Plastic retaining clip	6-1393161-5
---	-------------

Accessories PCB Relay Card Relay E

and similar design: pinning 2.5 mm



F0227-A

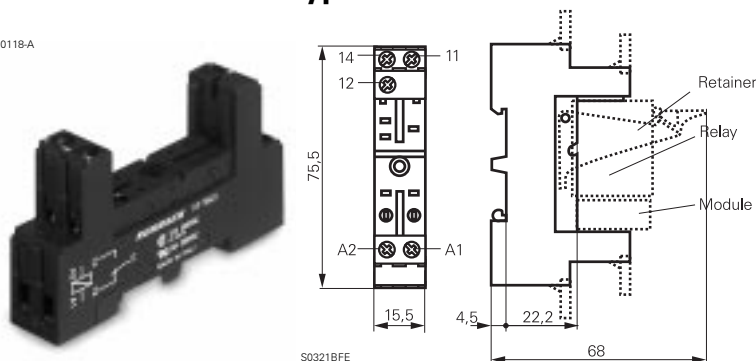
Features

- Socket with PCB- or screw terminals
- No reduction of protection class or creepage / clearance with plastic retainer
- Easy replacement of relays
- Socket can be used as connector for diagnosis function

Dimensions in mm
View on solder pins

Socket with screw-type terminals for DIN-rail mounting

F0118-A



S0321BFE

RP 78 623 Socket with screw-type terminals, pinning 2.5 mm, for DIN-rail mounting



Technical data

Rated current	12 A
Rated voltage	300 Vac
Dielectric strength coil/cont.	>4000 V _{rms}
Insulation cat. (VDE 0110b)	C / 250 Vac
Ambient temperature	-25...+85 °C
Protection category	IP 20
Protection against accidental contact meets	VBG 4
Wire cross section	2 x 2.5 mm ²
with bootlace crimp	2 x 1.5 mm ²
Packaging unit	10 pcs.

Socket with screw-type terminals for DIN-rail mounting

Type	Part Number
RP 78 623 Socket with screw-type terminals, pinning 2.5 mm for DIN-rail mounting	8-1393234-6

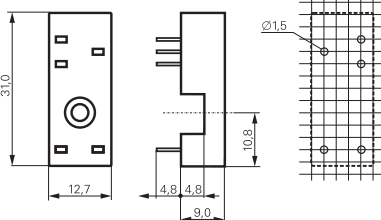
Accessories for RP 78 623

Type	Part Number
RP 16 104 Plastic retaining clip	1-1393161-8
RY 16 040 Marking tag	6-1393161-8
RP M Modules see accessories RT / RP	

Socket with PCB terminals



F0137-A



S0322-AE

RP 78 600 Socket with PCB terminals, pinning 2.5 mm



Technical data

Rated current	12 A
Rated voltage	300 Vac
Dielectric strength coil/cont.	>5000 V _{rms}
Insulation cat. (VDE 0110b)	C / 250 Vac
Ambient temperature	-40...+80 °C
Packaging unit	100 pcs.

Socket with PCB terminals

Type	Part Number
RP 78 600 Socket with PCB terminals, pinning 2.5 mm	8-1393234-3

Accessories for RP 78 600

RP 16 100 Plastic retaining clip	1-1393161-7
RP 28 500 Metal retaining clip	1-1393161-9

Accessories Industrial Power Relay RT / RP / SR2M

and similar design: pinnings 3.5mm / 5mm; relay heights 15.7 / 25.5mm



F0228-A

Features

- New retainer clip with ejection function
- Easy replacement of relays on a densely packed DIN rail
- High quality rising clamp terminals
- Captive combination terminal screws
- No reduction of protection class or creepage/clearance with plastic retainer
- Simple plug-in indicator- and protection modules
- White snap-on tags
- Not suitable for bistable relays with 2 coils

Accessories for sockets:

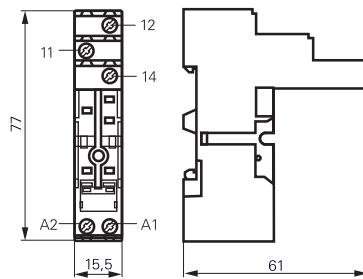
- Rejector
- LED- and protection modules
- Marking tags

Dimensions in mm

Socket with screw-type terminals for DIN rail mounting



F0229-A



S0416-AA

RT 78 724 Socket with screw-type terminals, pinning 3.5 mm for DIN rail mounting



Technical data

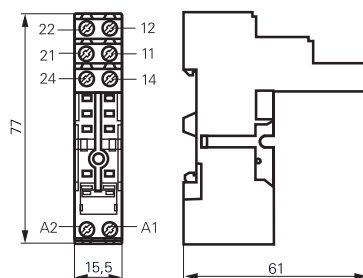
Rated current	12 A
Rated voltage	250 Vac
Insulation cat. (VDE 0110b)	C / 250 Vac
Ambient temperature	-25...85 °C
Protection category	IP 20
Wire cross section	2 x 2.5 mm ²
with bootlace crimp	2 x 1.5 mm ²
Terminal torque	0.5 Nm
max.	0.7 Nm
Packaging unit	10 pcs.

RT 78 724 and RT 78 726

- Logical setup of connections (input / output)
- Safe separation to VDE 0106



F0230-A



S0416-AB

RT 78 726 Socket with screw-type terminals, pinning 5 mm for DIN rail mounting



Technical data

Rated current	1 pole	12 A *)
	2 pole	2 x 12 A
Rated voltage	250 Vac	
Insulation cat. (VDE 0110b)	C / 250 Vac	
Ambient temperature	-25...85 °C	
Protection category	IP 20	
Wire cross section	2 x 2.5 mm ²	
with bootlace crimp	2 x 1.5 mm ²	
Terminal torque	0.5 Nm	
max.	0.7 Nm	
Packaging unit	10 pcs.	

*) For 1 pole relays (16 A) the relay terminals 11-21, 12-22 and 14-24 have to be bridged

For 1 pole relays (12 A) the relay terminals 11-12-14 have to be connected to the socket terminals 21-12-24

Socket with screw-type terminals for DIN rail mounting

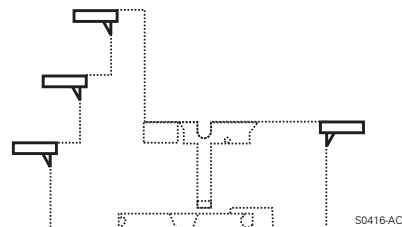
Type		Part Number
RT 78 724	Socket with screw-type terminals, pinning 3.5 mm for DIN rail mounting	8-1415035-1
RT 78 726	Socket with screw-type terminals, pinning 5 mm for DIN rail mounting	6-1415035-1

Accessories Industrial Power Relay RT / RP / SR2M

and similar design: pinnings 3.5mm / 5mm; relay heights 15.7 / 25.5mm

Accessories for RT 78 724, RT 78 726

Type		Part Number
RT 17 016	Plastic retaining clip, relay height 15.7 and 25.5 mm	1-1415038-1
RT 17 040	Marking tag	2-1415038-1



Marking tags

- White marking area 15.5 x 6 mm
- Snaps on socket in up to 4 positions

LED- and Protection Modules for RT 78 724, RT 78 726

Easy insertion of module into the socket

Wiring in parallel to the coil

Type		Part Number
PTM T0 0A0	Protection diode (A1+, A2-)	9-1415036-1
PTM T0 0L0	Protection diode (A1-, A2+)	0-1415037-1
PTM U0 524	RC-network 6...60 Vac	1-1415037-1
PTM U0 730	RC-network 110...230 Vac	2-1415037-1
PTM V0 524	Varistor 24 Vac	3-1415037-1
PTM V0 615	Varistor 115 Vac	6-1415365-1
PTM V0 730	Varistor 230 Vac	4-1415037-1

LED

PTM L0 524	red LED 6...24 Vdc/Vac	6-1415036-1
PTM G0 524	green LED 6...24 Vdc/Vac	3-1415036-1
PTM L0 024	red LED 6...24 Vdc w. prot.diode (A1+, A2-)	5-1415036-1
PTM G0 024	green LED 6...24 Vdc w. prot.diode (A1+, A2-)	2-1415036-1
PTM L1 024	red LED 6...24 Vdc w. prot. diode (A1-, A2+)	8-1415036-1
PTM L0 730	red LED 110...230 Vac	7-1415036-1
PTM G0 730	green LED 110...230 Vac	4-1415036-1

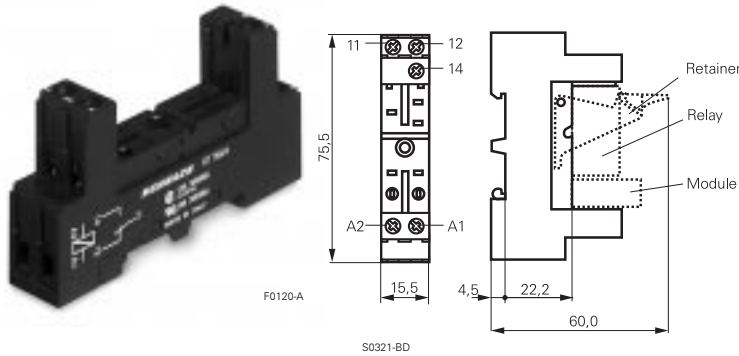


Accessories Industrial Power Relay RT / RP / SR2M

and similar design: pinnings 3.5mm / 5mm; relay heights 15.7 / 25.5mm

Dimensions in mm

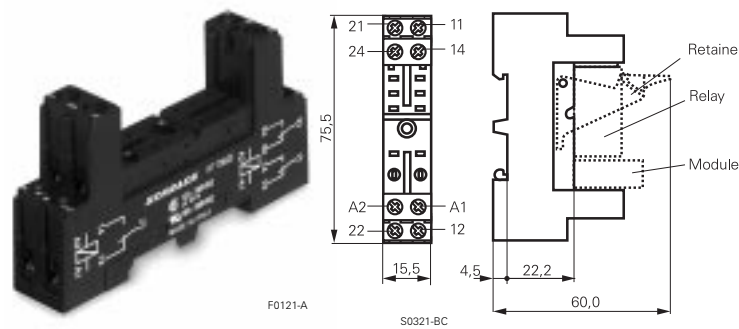
RT 78 624 Socket with screw-type terminals, pinning 3.5 mm for DIN rail mounting



Technical data

Rated current	12 A
Rated voltage	300 Vac
Dielectric strength coil/cont.	>4000 V _{rms}
Insulation cat. (VDE 0110b)	C / 250 Vac
Ambient temperature	-25...+85 °C
Protection category	IP 20
Protection against accidental contact meets	VBG 4
Wire cross section	2 x 2.5 mm ²
with bootlace crimp	2 x 1.5 mm ²
Packaging unit	10 pcs.

RT 78 625 Socket with screw-type terminals, pinning 5 mm for DIN rail mounting



Technical data

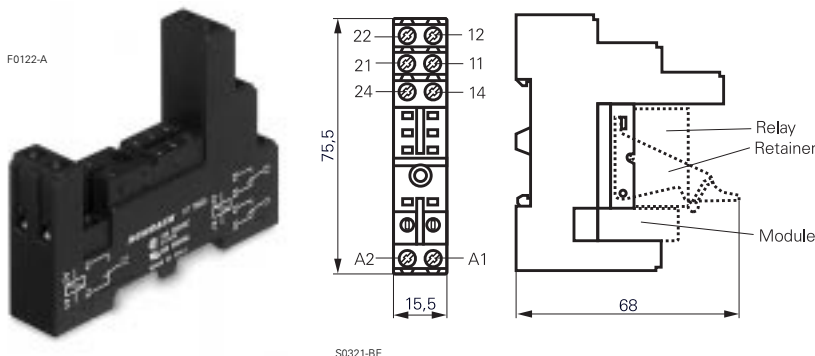
Rated current	1 pole	12 A *)
	2 pole	2 x 12 A
Rated voltage	300 Vac	
Dielectric strength coil/cont.	>4000 V _{rms}	
Insulation cat. (VDE 0110b)	C / 250 Vac	
Ambient temperature	-25...+80 °C	
Protection category	IP 20	
Protection against accidental contact meets	VBG 4	
Wire cross section	2 x 2.5 mm ²	
with bootlace crimp	2 x 1.5 mm ²	
Packaging unit	10 pcs.	

RT 78 624 and RT 78 626

- Logical setup of connections (input / output)
- Safe separation to VDE 0106

*) For 1 pole relays (16 A) the terminals 11-21, 12-22 and 14-24 have to be bridged
For 1 pole relays (12 A) the terminals 11-12-14 have to be connected to the socket terminals 21-12-24

RT 78 626 Socket with screw-type terminals, pinning 5 mm for DIN rail mounting



Technical data

Rated current	1 pole	12 A *)
	2 pole	2 x 12 A
Rated voltage	300 Vac	
Dielectric strength coil/cont.	>4000 V _{rms}	
Insulation cat. (VDE 0110b)	C / 250 Vac	
Ambient temperature	-25...+80 °C	
Protection category	IP 20	
Protection against accidental contact meets	VBG 4	
Wire cross section	2 x 2.5 mm ²	
with bootlace crimp	2 x 1.5 mm ²	
Packaging unit	10 pcs.	

*) For 1 pole relays (16 A) the terminals 11-21, 12-22 and 14-24 have to be bridged
For 1 pole relays (12 A) the terminals 11-12-14 have to be connected to the socket terminals 21-12-24

Socket with screw-type terminals, for DIN rail mounting

Type		Part Number
RT 78 624	Socket with screw-type terminals, pinning 3.5 mm for DIN rail mounting	2-1419108-1
RT 78 625	Socket with screw-type terminals, pinning 5 mm for DIN rail mounting	2-1419108-2
RT 78 626	Socket with screw-type terminals, pinning 5 mm for DIN rail mounting	2-1419108-3

Accessories Industrial Power Relay RT / RP / SR2M

and similar design: pinnings 3.5mm / 5mm; relay heights 15.7 / 25.5mm

Dimensions in mm
View on solder pins

Accessories for RT 78 624, RT 78 625, RT 78 626

Type		Part Number
RT 16 016	Plastic retaining clip RT, relay height 15.7 mm	3-1393161-3
RP 16 104	Plastic retaining clip RP, relay height 25.5 mm	1-1393161-8
RY 16 040	Marking tag	6-1393161-8

LED- and Protection Modules for RT 78 624, RT 78 625, RT 78 626 and RP 78 623, RY 78 626

Easy insertion of module into the socket

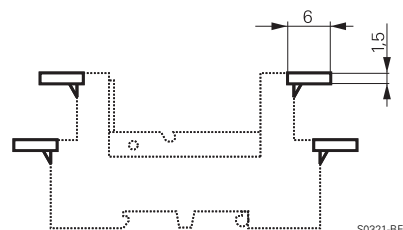
Wiring in parallel to the coil

Type		Part Number
RPM T0 0A0	Protection diode 1N4007 ¹⁾	1-1393161-1
RPM U0 548	RC-network 24...48 Vac	1-1393161-3
RPM U0 730	RC-network 110...230 Vac	1-1393161-4

LED

RPM L0 024	red LED 12...24 Vdc w.prot.diode ¹⁾	0-1393161-4
RPM G0 024	green LED 12...24 Vdc w.prot.diode ¹⁾	0-1393161-3
RPM L0 524	red LED 12...48 Vdc / Vac	0-1393161-7
RPM G0 524	green LED 12...48 Vdc / Vac	2-1419152-4
RPM L0 110	red LED 60...110 Vdc w.prot.diode ¹⁾	0-1393161-6
RPM G0 110	green LED 60...110 Vdc w.prot.diode ¹⁾	2-1419152-3
RPM L0 730	red LED 110...230 Vac	0-1393161-8
RPM G0 730	green LED 110...230 Vac	2-1419152-5

¹⁾ Standard polarity: A1:+, A2:-



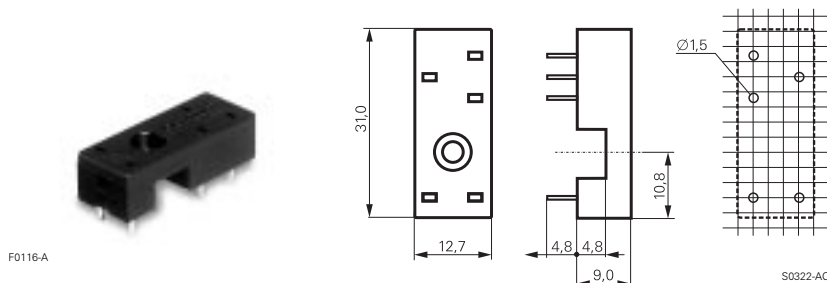
Marking tags

- White marking area 15.5 x 6 mm
- Snaps on socket in up to 4 positions

F0123-A



Socket with PCB terminals

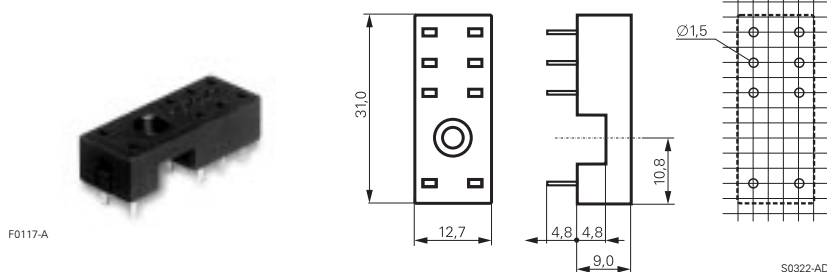


RP 78 601 Socket with PCB terminals, pinning 3.5 mm



Technical data

Rated current	12 A
Rated voltage	300 Vac
Dielectric strength coil/cont.	>5000 V _{rms}
Insulation cat. (VDE 0110b)	C / 250 Vac
Ambient temperature	-40...+80 °C
Packaging unit	100 pcs.



RP 78 602 Socket with PCB terminals, pinning 5 mm



Technical data

Rated current	1 pole	12 A
	2 pole	2 x 12 A
Rated voltage		300 Vac
Dielectric strength coil/cont.		>5000 V _{rms}
Insulation cat. (VDE 0110b)		C / 250 Vac
Ambient temperature		-40...+80 °C
Packaging unit		100 pcs.

Socket with PCB terminals

Type		Part Number
RP 78 601	Socket with PCB terminals, pinning 3.5 mm	8-1393234-4
RP 78 602	Socket with PCB terminals, pinning 5 mm	8-1393234-5

Accessories for RP 78 601, RP 78 602

Type		Part Number
RT 16 041	Plastic retaining clip RT, relay height 15.7 mm	3-1393161-4
RP 16 100	Plastic retaining clip RP, relay height 25.5 mm	1-1393161-7
RT 28 516	Metal retaining clip RT, relay height 15.7 mm	0-1419108-7
RP 28 500	Metal retaining clip RP, relay height 25.5 mm	1-1393161-9

Accessories Industrial Power Relay RT / RP / SR2M

and similar design: pinnings 3.5mm / 5mm; relay heights 15.7 / 25.5mm



F0228-A

Features

- New retainer clip with ejection function
- Easy replacement of relays on a densely packed DIN rail
- High quality rising clamp terminals
- Captive combination terminal screws
- No reduction of protection class or creepage/clearance with plastic retainer
- Simple plug-in indicator- and protection modules
- White snap-on tags
- Not suitable for bistable relays with 2 coils

Accessories for sockets:

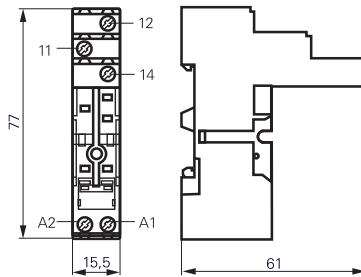
- Rejector
- LED- and protection modules
- Marking tags

Dimensions in mm

Socket with screw-type terminals for DIN rail mounting



F0229-A



S0416-AA

RT 78 724 Socket with screw-type terminals, pinning 3.5 mm for DIN rail mounting



Technical data

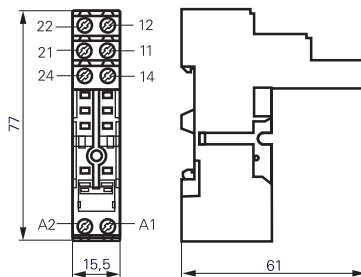
Rated current	12 A
Rated voltage	250 Vac
Insulation cat. (VDE 0110b)	C / 250 Vac
Ambient temperature	-25...85 °C
Protection category	IP 20
Wire cross section	2 x 2.5 mm ²
with bootlace crimp	2 x 1.5 mm ²
Terminal torque	0.5 Nm
max.	0.7 Nm
Packaging unit	10 pcs.

RT 78 724 and RT 78 726

- Logical setup of connections (input / output)
- Safe separation to VDE 0106



F0230-A



S0416-AB

RT 78 726 Socket with screw-type terminals, pinning 5 mm for DIN rail mounting



Technical data

Rated current	1 pole	12 A *)
	2 pole	2 x 12 A
Rated voltage	250 Vac	
Insulation cat. (VDE 0110b)	C / 250 Vac	
Ambient temperature	-25...85 °C	
Protection category	IP 20	
Wire cross section	2 x 2.5 mm ²	
with bootlace crimp	2 x 1.5 mm ²	
Terminal torque	0.5 Nm	
max.	0.7 Nm	
Packaging unit	10 pcs.	

*) For 1 pole relays (16 A) the relay terminals 11-21, 12-22 and 14-24 have to be bridged

For 1 pole relays (12 A) the relay terminals 11-12-14 have to be connected to the socket terminals 21-12-24

Socket with screw-type terminals for DIN rail mounting

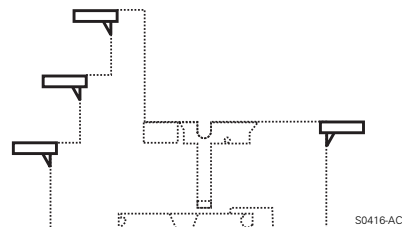
Type		Part Number
RT 78 724	Socket with screw-type terminals, pinning 3.5 mm for DIN rail mounting	8-1415035-1
RT 78 726	Socket with screw-type terminals, pinning 5 mm for DIN rail mounting	6-1415035-1

Accessories Industrial Power Relay RT / RP / SR2M

and similar design: pinnings 3.5mm / 5mm; relay heights 15.7 / 25.5mm

Accessories for RT 78 724, RT 78 726

Type		Part Number
RT 17 016	Plastic retaining clip, relay height 15.7 and 25.5 mm	1-1415038-1
RT 17 040	Marking tag	2-1415038-1



Marking tags

- White marking area 15.5 x 6 mm
- Snaps on socket in up to 4 positions

LED- and Protection Modules for RT 78 724, RT 78 726

Easy insertion of module into the socket

Wiring in parallel to the coil

Type		Part Number
PTM T0 0A0	Protection diode (A1+, A2-)	9-1415036-1
PTM T0 0L0	Protection diode (A1-, A2+)	0-1415037-1
PTM U0 524	RC-network 6...60 Vac	1-1415037-1
PTM U0 730	RC-network 110...230 Vac	2-1415037-1
PTM V0 524	Varistor 24 Vac	3-1415037-1
PTM V0 615	Varistor 115 Vac	6-1415365-1
PTM V0 730	Varistor 230 Vac	4-1415037-1

LED

PTM L0 524	red LED 6...24 Vdc/Vac	6-1415036-1
PTM G0 524	green LED 6...24 Vdc/Vac	3-1415036-1
PTM L0 024	red LED 6...24 Vdc w. prot.diode (A1+, A2-)	5-1415036-1
PTM G0 024	green LED 6...24 Vdc w. prot.diode (A1+, A2-)	2-1415036-1
PTM L1 024	red LED 6...24 Vdc w. prot. diode (A1-, A2+)	8-1415036-1
PTM L0 730	red LED 110...230 Vac	7-1415036-1
PTM G0 730	green LED 110...230 Vac	4-1415036-1

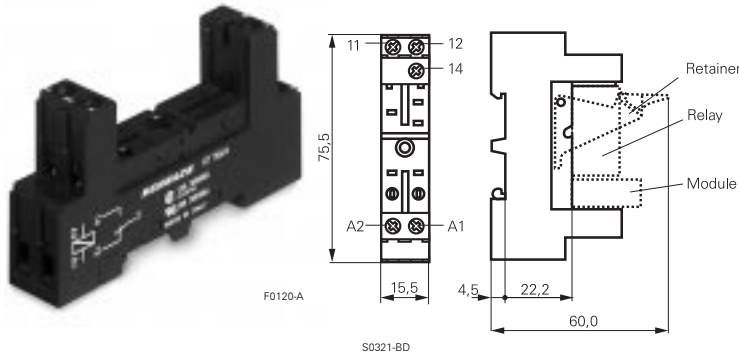


Accessories Industrial Power Relay RT / RP / SR2M

and similar design: pinnings 3.5mm / 5mm; relay heights 15.7 / 25.5mm

Dimensions in mm

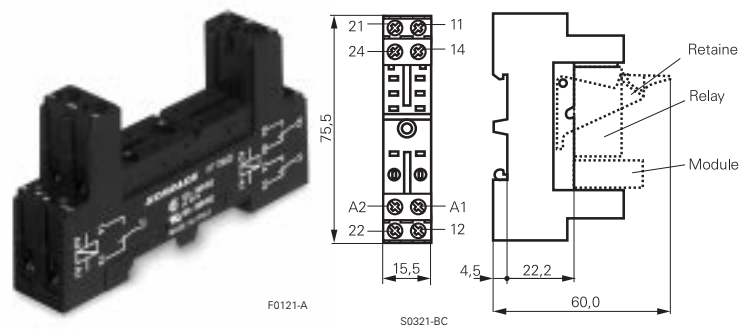
RT 78 624 Socket with screw-type terminals, pinning 3.5 mm for DIN rail mounting



Technical data

Rated current	12 A
Rated voltage	300 Vac
Dielectric strength coil/cont.	>4000 V _{rms}
Insulation cat. (VDE 0110b)	C / 250 Vac
Ambient temperature	-25...+85 °C
Protection category	IP 20
Protection against accidental contact meets	VBG 4
Wire cross section	2 x 2.5 mm ²
with bootlace crimp	2 x 1.5 mm ²
Packaging unit	10 pcs.

RT 78 625 Socket with screw-type terminals, pinning 5 mm for DIN rail mounting



Technical data

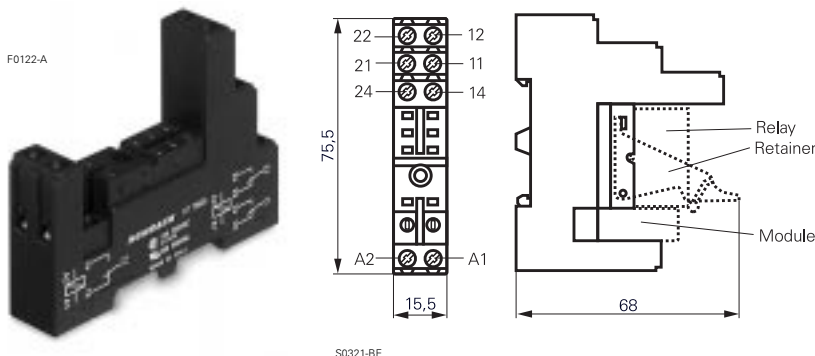
Rated current	1 pole	12 A *)
	2 pole	2 x 12 A
Rated voltage	300 Vac	
Dielectric strength coil/cont.	>4000 V _{rms}	
Insulation cat. (VDE 0110b)	C / 250 Vac	
Ambient temperature	-25...+80 °C	
Protection category	IP 20	
Protection against accidental contact meets	VBG 4	
Wire cross section	2 x 2.5 mm ²	
with bootlace crimp	2 x 1.5 mm ²	
Packaging unit	10 pcs.	

RT 78 624 and RT 78 626

- Logical setup of connections (input / output)
- Safe separation to VDE 0106

*) For 1 pole relays (16 A) the terminals 11-21, 12-22 and 14-24 have to be bridged
For 1 pole relays (12 A) the terminals 11-12-14 have to be connected to the socket terminals 21-12-24

RT 78 626 Socket with screw-type terminals, pinning 5 mm for DIN rail mounting



Technical data

Rated current	1 pole	12 A *)
	2 pole	2 x 12 A
Rated voltage	300 Vac	
Dielectric strength coil/cont.	>4000 V _{rms}	
Insulation cat. (VDE 0110b)	C / 250 Vac	
Ambient temperature	-25...+80 °C	
Protection category	IP 20	
Protection against accidental contact meets	VBG 4	
Wire cross section	2 x 2.5 mm ²	
with bootlace crimp	2 x 1.5 mm ²	
Packaging unit	10 pcs.	

*) For 1 pole relays (16 A) the terminals 11-21, 12-22 and 14-24 have to be bridged
For 1 pole relays (12 A) the terminals 11-12-14 have to be connected to the socket terminals 21-12-24

Socket with screw-type terminals, for DIN rail mounting

Type		Part Number
RT 78 624	Socket with screw-type terminals, pinning 3.5 mm for DIN rail mounting	2-1419108-1
RT 78 625	Socket with screw-type terminals, pinning 5 mm for DIN rail mounting	2-1419108-2
RT 78 626	Socket with screw-type terminals, pinning 5 mm for DIN rail mounting	2-1419108-3

Accessories Industrial Power Relay RT / RP / SR2M

and similar design: pinnings 3.5mm / 5mm; relay heights 15.7 / 25.5mm

Dimensions in mm
View on solder pins

Accessories for RT 78 624, RT 78 625, RT 78 626

Type		Part Number
RT 16 016	Plastic retaining clip RT, relay height 15.7 mm	3-1393161-3
RP 16 104	Plastic retaining clip RP, relay height 25.5 mm	1-1393161-8
RY 16 040	Marking tag	6-1393161-8

LED- and Protection Modules for RT 78 624, RT 78 625, RT 78 626 and RP 78 623, RY 78 626

Easy insertion of module into the socket

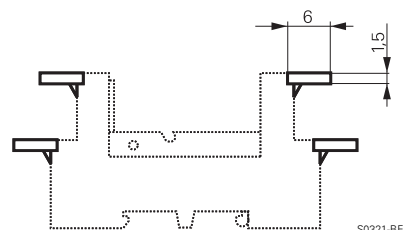
Wiring in parallel to the coil

Type		Part Number
RPM T0 0A0	Protection diode 1N4007 ¹⁾	1-1393161-1
RPM U0 548	RC-network 24...48 Vac	1-1393161-3
RPM U0 730	RC-network 110...230 Vac	1-1393161-4

LED

RPM L0 024	red LED 12...24 Vdc w.prot.diode ¹⁾	0-1393161-4
RPM G0 024	green LED 12...24 Vdc w.prot.diode ¹⁾	0-1393161-3
RPM L0 524	red LED 12...48 Vdc / Vac	0-1393161-7
RPM G0 524	green LED 12...48 Vdc / Vac	2-1419152-4
RPM L0 110	red LED 60...110 Vdc w.prot.diode ¹⁾	0-1393161-6
RPM G0 110	green LED 60...110 Vdc w.prot.diode ¹⁾	2-1419152-3
RPM L0 730	red LED 110...230 Vac	0-1393161-8
RPM G0 730	green LED 110...230 Vac	2-1419152-5

¹⁾ Standard polarity: A1:+, A2:-



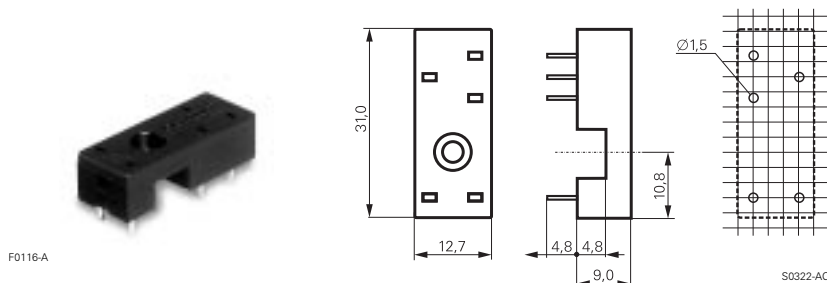
Marking tags

- White marking area 15.5 x 6 mm
- Snaps on socket in up to 4 positions

F0123-A



Socket with PCB terminals

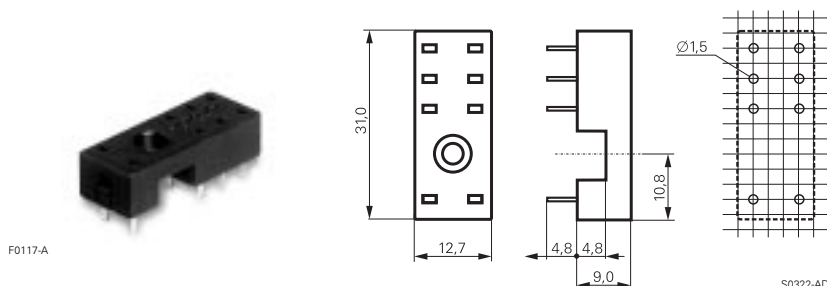


RP 78 601 Socket with PCB terminals, pinning 3.5 mm



Technical data

Rated current	12 A
Rated voltage	300 Vac
Dielectric strength coil/cont.	>5000 V _{rms}
Insulation cat. (VDE 0110b)	C / 250 Vac
Ambient temperature	-40...+80 °C
Packaging unit	100 pcs.



RP 78 602 Socket with PCB terminals, pinning 5 mm



Technical data

Rated current	1 pole	12 A
	2 pole	2 x 12 A
Rated voltage		300 Vac
Dielectric strength coil/cont.		>5000 V _{rms}
Insulation cat. (VDE 0110b)		C / 250 Vac
Ambient temperature		-40...+80 °C
Packaging unit		100 pcs.

Socket with PCB terminals

Type		Part Number
RP 78 601	Socket with PCB terminals, pinning 3.5 mm	8-1393234-4
RP 78 602	Socket with PCB terminals, pinning 5 mm	8-1393234-5

Accessories for RP 78 601, RP 78 602

Type		Part Number
RT 16 041	Plastic retaining clip RT, relay height 15.7 mm	3-1393161-4
RP 16 100	Plastic retaining clip RP, relay height 25.5 mm	1-1393161-7
RT 28 516	Metal retaining clip RT, relay height 15.7 mm	0-1419108-7
RP 28 500	Metal retaining clip RP, relay height 25.5 mm	1-1393161-9

Accessories Miniature Relay PT

and similar design: relay heights 29 / 34.6 / 35.2 / 36.6 / 37.6mm



F0233-A

Features

- Easy replacement of relays on a densely packed DIN rail
- High quality rising clamp terminals
- Captive combination terminal screws
- No reduction of protection class or creepage/clearance with plastic retainer
- Simple plug-in indicator- and protection modules
- White snap-on tags

Accessories for sockets:

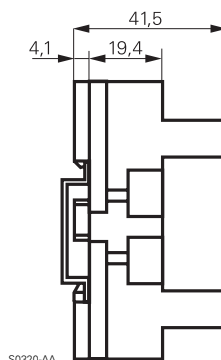
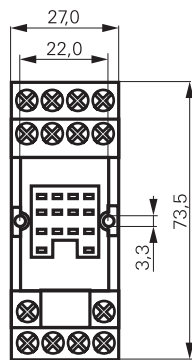
- Retaining clip
- LED- and protection modules
- Marking tags

Dimensions in mm

PT DIN-rail socket with screw type terminals



F0234-A



S0320-AA



Technical data

Rated current	4-pole	6 A
	3-pole	10 A
	2-pole	12 A
Rated voltage	250 Vac	
Insulation cat. (VDE 0110b)	C / 250 Vac	
Ambient temperature	-45...+70 °C ¹⁾	
Protection category	IP 20	
Protection against accidental contact meets	VBG 4	
Wire cross section	2 x 2.5 mm ²	
with bootlace crimp	2 x 1.5 mm ²	
Terminal torque	0.5 Nm	
max.	0.7 Nm	
Packaging unit	10 pcs.	
¹⁾ 50°C at rated load, 70°C at 80% of rated load		

DIN-rail socket with screw type terminals

Type		Part Number
PT 78 720	DIN-rail socket with screw type terminals, 2 pole	6-1415034-1
PT 78 730	DIN-rail socket with screw type terminals, 3 pole	9-1415071-1
PT 78 740	DIN-rail socket with screw type terminals, 4 pole	4-1415033-1
PT 78 741	DIN-rail socket with screw type terminals, 4 pole package with protection diode module	5-1415034-1

Accessories for PT 78 720, PT 78 730, PT 78 740, PT 78 741

Type		Part Number
PT 17 016	Plastic retaining clip PT, relay height 29 mm	5-1415037-1
PT 17 017	Plastic retaining clip, relay height 34.6 mm	7-1415037-1
PT 17 018	Plastic retaining clip, relay height 35.2 mm	8-1415037-1
PT 17 019	Plastic retaining clip, relay height 36.6 mm	9-1415037-1
PT 17 020	Plastic retaining clip, relay height 37.6 mm	0-1415038-1
PT 28 800	Metal retaining clip PT, relay height 29 mm	5-1419111-9
ZG 28 801	Metal retaining clip, relay height 36 mm	1-1393162-5
PT 17 040	Marking tag	6-1415037-1

Accessories Miniature Relay PT

and similar design: relay heights 29 / 34.6 / 35.2 / 36.6 / 37.6mm

LED- and Protection Modules for PT 78 720, PT 78 730 and PT 78 740

Easy insertion of module into the socket

Wiring in parallel to the coil

Type		Part Number
PTM T0 0A0	Protection diode (A1+, A2-)	9-1415036-1
PTM T0 0L0	Protection diode (A1-, A2+)	0-1415037-1
PTM U0 524	RC-network 6...60 Vac	1-1415037-1
PTM U0 730	RC-network 110...230 Vac	2-1415037-1
PTM V0 524	Varistor 24 Vac	3-1415037-1
PTM V0 615	Varistor 115 Vac	6-1415365-1
PTM V0 730	Varistor 230 Vac	4-1415037-1

LED

PTM L0 524	red LED 6...24 Vdc/Vac	6-1415036-1
PTM G0 524	green LED 6...24 Vdc/Vac	3-1415036-1
PTM L0 024	red LED 6...24 Vdc w. prot.diode (A1+, A2-)	5-1415036-1
PTM G0 024	green LED 6...24 Vdc w. prot.diode (A1+, A2-)	2-1415036-1
PTM L1 024	red LED 6...24 Vdc w. prot. diode (A1-, A2+)	8-1415036-1
PTM L0 110	red LED 48...110 Vdc w. prot. diode	2-1415392-1
PTM L0 730	red LED 110...230 Vac	7-1415036-1
PTM G0 730	green LED 110...230 Vac	4-1415036-1



F0231-A



F0232-A

Accessories Miniature Relay PT

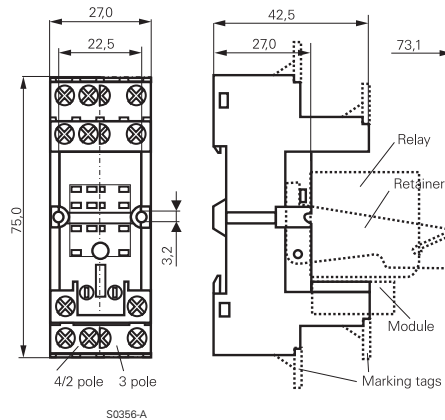
and similar design: relay heights 29 / 34.6 / 35.2 / 36.6 / 37.6mm

Dimensions in mm

PT DIN-rail socket with screw type terminals



F0192-A



Technical data

Rated current	4 x 6 A, 3 x 10 A, 2 x 12 A
Rated voltage	300 Vac
Dielectric strength coil/cont.	>4000 V _{eff}
Insulation category (VDE 0110b)	C / 250 Vac
Ambient temperature	-45...+70 °C ¹⁾
Protection category	IP 20
Protection against accidental contact meets	VBG 4
Wire cross section	2 x 2.5 mm ²
with bootlace crimp	2 x 1.5 mm ²
Terminal torque	0.5 Nm
max.	0.8 Nm
Packaging unit	10 pcs.

¹⁾ at rated current to +40 °C, up to +70 °C at 70% of rated current

DIN-rail socket with screw type terminals

Type		Part Number
PT 78 702	DIN-rail socket with screw type terminals, 2 pole	9-1419111-9
PT 78 703	DIN-rail socket with screw type terminals, 3 pole	0-1419112-1
PT 78 704	DIN-rail socket with screw type terminals, 4 pole	0-1419112-2

Accessories for PT 78 702, PT 78 703, PT 78 704

Type		Part Number
PT 16 016	Plastic retaining clip PT, relay height 29 mm	3-1419111-8
PT 28 800	Metal retaining clip PT, relay height 29 mm	5-1419111-9
ZG 28 801	Metal retaining clip, relay height 36 mm	1-1393162-5
PT 16 040	Marking tag	3-1419111-9

LED- and Protection Modules for PT 78 702, PT 78 703, PT 78 704

Easy insertion of module into the socket
Wiring in parallel to the coil

Type		Part Number
RPM T0 0A0	Protection diode 1N4007 ¹⁾	1-1393161-1
RPM U0 548	RC-network 24...48 Vac	1-1393161-3
RPM U0 730	RC-network 110...230 Vac	1-1393161-4

LED

RPM L0 024	red LED 12...24 Vdc w.prot.diode ¹⁾	0-1393161-4
RPM G0 024	green LED 12...24 Vdc w.prot.diode ¹⁾	0-1393161-3
RPM L0 524	red LED 12...48 Vdc / Vac	0-1393161-7
RPM G0 524	green LED 12...48 Vdc / Vac	2-1419152-4
RPM L0 110	red LED 60...110 Vdc w.prot.diode ¹⁾	0-1393161-6
RPM G0 110	green LED 60...110 Vdc w.prot.diode ¹⁾	2-1419152-3
RPM L0 730	red LED 110...230 Vac	0-1393161-8
RPM G0 730	green LED 110...230 Vac	2-1419152-5

¹⁾ Standard polarity: A1+, A2-

F0123-A



Accessories Miniature Relay PT

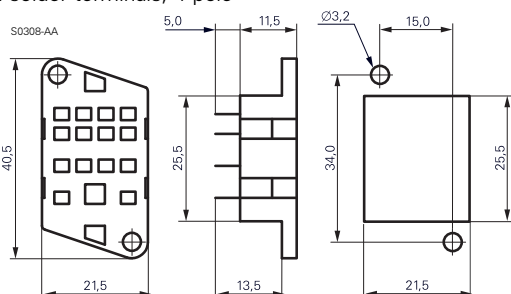
and similar design: relay heights 29 / 34.6 / 35.2 / 36.6 / 37.6mm

Dimensions in mm
View on solder pins

PT 78 600 Socket with solder terminals, 4 pole



F0132-A



Chassis cut-out

Technical data

Rated current	10 A
Rated voltage	250 Vac
Dielectric strength coil/cont.	>1500 V _{rms}
Ambient temperature	-40...+70 °C
Packaging unit	25 pcs.

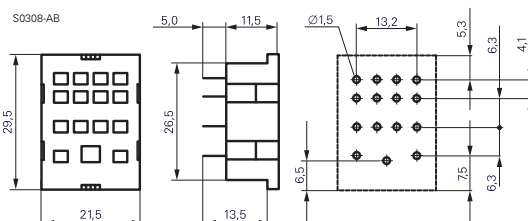
PT 78 604 4 pole Socket with PCB terminals

PT 78 603 3 pole

PT 78 602 2 pole



F0133-A



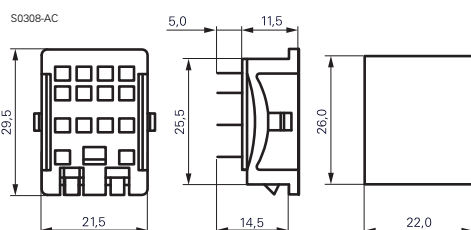
Technical data

Rated current	10 A
Rated voltage	250 Vac
Dielectric strength coil/cont.	>1500 V _{rms}
Ambient temperature	-40...+70 °C
Packaging unit	25 pcs.

PT 78 601 Socket with solder terminals, 4 pole



F0134-A



Chassis cut-out

Technical data

Rated current	10 A
Rated voltage	250 Vac
Dielectric strength coil/cont.	>1500 V _{rms}
Ambient temperature	-40...+70 °C
Packaging unit	25 pcs.

PT sockets

Type	Part Number
PT 78 600 Socket with solder terminals, 4 pole	4-1415043-1
PT 78 602 Socket with PCB terminals, 2 pole	5-1415043-1
PT 78 603 Socket with PCB terminals, 3 pole	0-1393162-5
PT 78 604 Socket with PCB terminals, 4 pole	3-1415043-1
PT 78 601 Socket with solder terminals, 4 pole	6-1415043-1

Accessories for PT 78 600, PT 78 601, PT 78 602, PT 78 603, PT 78 604

Type	Part Number
PT 28 802 Metal retaining clip PT, relay height 29 mm	0-1393162-1
ZG 28 800 Metal retaining clip, relay height 36 mm	1-1393162-4

Accessories Miniature Power Relay PCLH and similar design



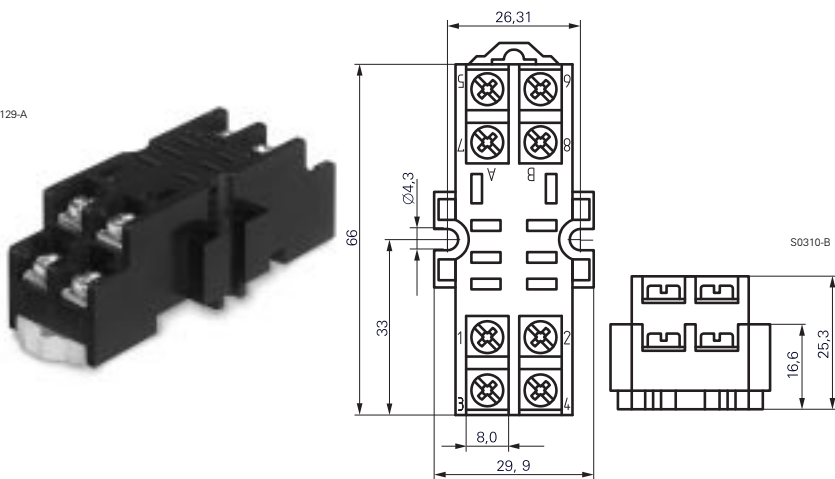
Dimensions in mm

F0236-A

PCLH socket with screw-type terminals

TM 78 700 Socket with screw-type terminals

F0129-A



Technical data

Rated current	10 A
Rated voltage	300 Vac
Protection category	IP 20
Packaging unit	100 pcs.

Socket with screw-type terminals

Type	Part Number
TM 78 700 Socket with screw-type terminals	0-1393164-2

Accessories for TM 78 700

Type	Part Number
TM 28 800 Metal retaining clip for PCLH	0-1393164-1

Accessories Multimode Relay MT

and similar design: octal / undecal



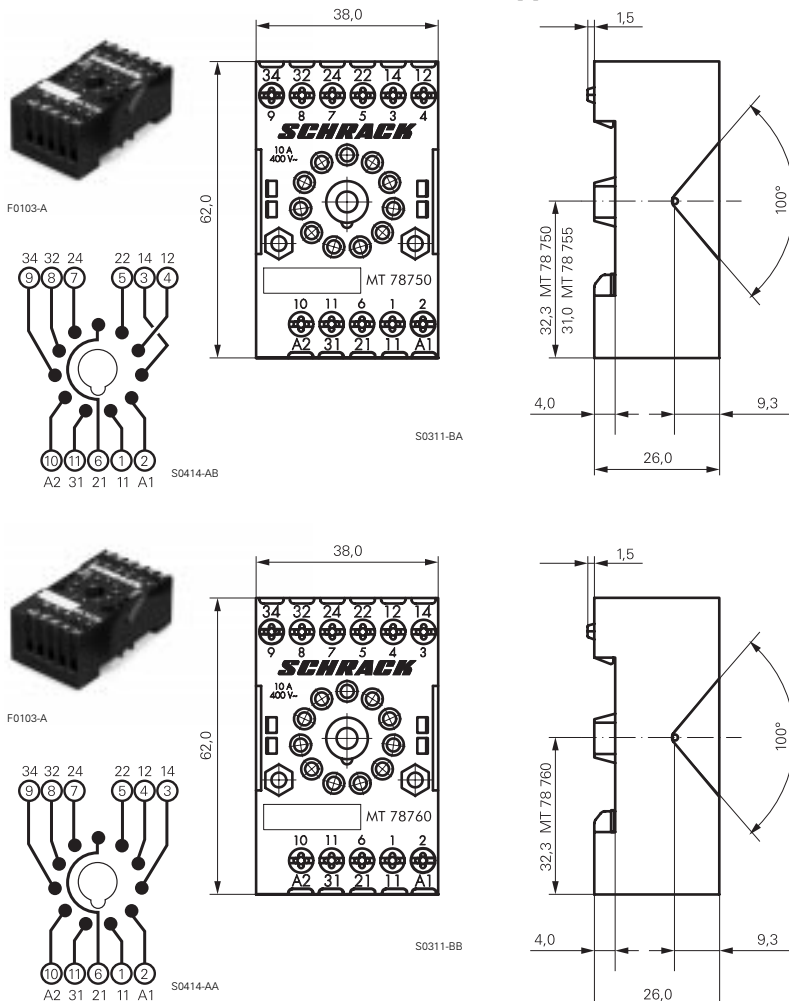
F0235-A

Features

- Snap-on mounting on DIN-rail
- Screw mounting
- Pozidrive screws with rising clamp terminals
- Logical layout of input/output connections
- White marking area

Dimensions in mm

MT DIN-rail sockets with screw-type terminals



MT 78 750 MT3 DIN-rail socket with screw-type terminals 11pole
MT 78 755 MT2 DIN-rail socket with screw-type terminals 8pole



Technical data

Rated current	10 A
Rated voltage	400 Vac
Dielectric strength coil/cont.	>3500 V _{rms}
Insulation cat. (VDE 0110b)	C / 400 Vac
Tracking resistance	CTI 300
Ambient temperature	+80 °C
Protection category	IP 20
Protection against accidental contact meets	VBG 4
Mounting	DIN 50024 / 22
Wire cross section	2 x 2.5 mm ²
Terminal torque	0.8 Nm
max.	1.0 Nm
Packaging unit	25 pcs.

MT 78 760 MT3 DIN-rail socket with screw-type terminals 11pole



Technical data

Rated current	10 A
Rated voltage	400 Vac
Dielectric strength coil/cont.	>3500 V _{rms}
Insulation cat. (VDE 0110b)	C / 400 Vac
Tracking resistance	CTI 300
Ambient temperature	+80 °C
Protection category	IP 20
Protection against accidental contact meets	VBG 4
Mounting	DIN 50024 / 22
Wire cross section	2 x 2.5 mm ²
Terminal torque	0.8 Nm
max.	1.0 Nm
Packaging unit	25 pcs.

DIN-rail sockets with screw-type terminals

Type		Part Number
MT 78 750	MT3 DIN-rail socket with screw-type terminals 11pole	0-1415035-1
MT 78 755	MT2 DIN-rail socket with screw-type terminals 8pole	3-1415035-1
MT 78 760	MT3 DIN-rail socket with screw-type terminals 11pole	8-1415034-1

Accessories for MT 78 750, MT 78 755, MT 78 760

MT 28 800	Metal retaining clip MT	8-1393163-0
------------------	-------------------------	-------------

Edition: 02/2003

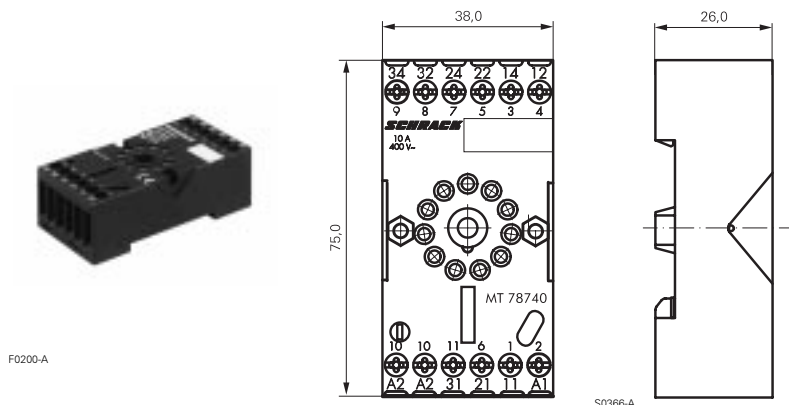
Accessories Multimode Relay MT

and similar design: octal / undecal

Dimensions in mm

MT 78 740 MT3 DIN-rail socket with screw-type terminals 11 pole

MT 78 745 MT2 DIN-rail socket with screw-type terminals 8 pole



Technical Data

Rated current	10 A
Rated voltage	400 Vac
Dielectric strength coil/cont.	>3000 V _{eff}
Ambient temperature	+80 °C
Protection category	IP 20
Protection against accidental contact meets	VBG 4
Mounting/DIN rail	DIN50022
Wire cross section	2 x 2,5mm ²
Terminal torque	0.8 Nm
Packaging unit	10 Stk.

DIN-rail socket with screw-type terminals

Type		Part Number
MT78 740	DIN-rail socket with screw-type terminals, 11 pole	8-1393163-3
MT78 745	DIN-rail socket with screw-type terminals, 8 pole	8-1393163-4

Socket system MT 78 740 and MT 78 745

- 8/11 pin socket for MT2 / MT3
- Double A2 screw for simple further connection of coil supply

Accessories for MT 78 740, MT 78 745

Type		Part Number
MT 28 800	Metal retaining clip MT	8-1393163-0

LED and Protection modules for MT 78 740, MT 78 745

Type		Part Number
MTM T0 0A0	Protection diode 1N4007	7-1393163-6
MTM U0 524	RC-network 6...24 Vac	7-1393163-7
MTM U0 730	RC-network 110...230 Vac	7-1393163-8

LED

MTM L0 024	red LED 24 Vac / Vdc	7-1393163-4
MTM G0 024	green LED 24 Vac / Vdc	6-1419149-6
MTM L0 730	red LED 110...230 Vac / Vdc	7-1393163-5
MTM G0 730	green LED 110...230 Vac / Vdc	6-1419149-7

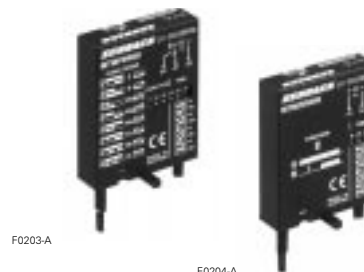
Function modules for MT 78 740, MT 78 745

Type		Part Number
MTM Z0 W00	Delay ON	7-1393163-9
MTM F0 W00	Multifunction	7-1393163-3



F0201-A

F0202-A



F0203-A

F0204-A





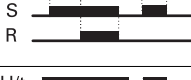



Technical data - Function modules

Nominal voltage	24...240 Vdc / Vac
Mains frequency	48...63 Hz
Precision of time setting	± 0,5 %
Readiness for repetition	≤ 0,5 % or 5 ms
Influence of temperature	≤ 0,1 %/°C
Time range switchable	0,05s...240h in 8 ranges
Ambient temperature	-25...+55 °C

Accessories Multimode Relay MT

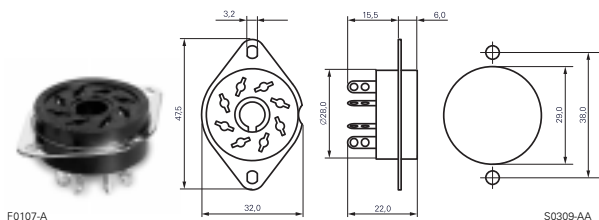
and similar design: octal / undecal

Dimensions in mm
View on solder pins

Function modules for MT 78 740, MT 78 745	
Function	
Delay ON	U/t 
Delay OFF	U/t 
single shot leading edge	U/t 
single shot trailing edge	U/t 
Delay ON triggered by signal contact	U/t 
single shot	U/t 
flasher starting with pause	U/t 
flasher starting with pulse	U/t 

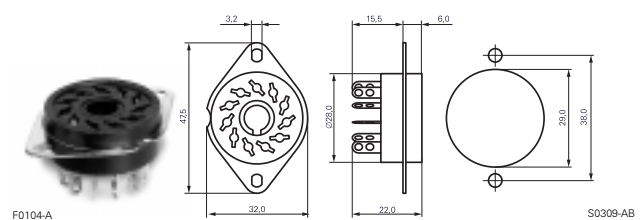
MT 78 612

Socket 8 pole with solder terminals



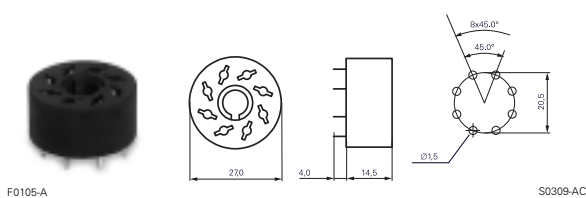
MT 78 613

Socket 11 pole with solder terminals



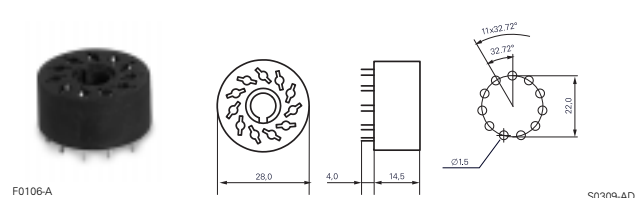
MT 78 602

Socket 8 pole with PCB terminals



MT 78 603

Socket 11 pole with PCB terminals



Sockets with solder and PCB terminals

Type	Part Number
MT 78 612 Socket 8 pole with solder terminals	7-1415043-1
MT 78 613 Socket 11 pole with solder terminals	8-1415043-1
MT 78 602 Socket 8 pole with PCB terminals	9-1415043-1
MT 78 603 Socket 11 pole with PCB terminals	0-1415044-1

Technical data MT78602...MT78613

Rated current	10 A
Rated voltage	250 Vac
Dielectric strength coil/cont.	>2500 V _{rms}
Ambient temperature	-40...+70 °C
Packaging unit	25 pcs

Accessories Power Relay RM

2 / 3 pole, 10 / 16 A

Dimensions in mm



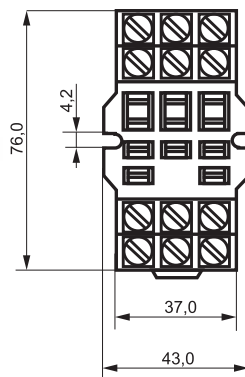
F0237-A

RM Sockets with screw-type terminals

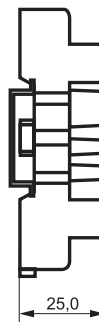
RM 78704 Socket with screw-type terminals



F0113-A



S0317-A



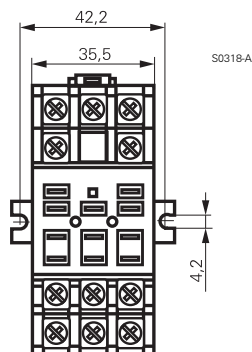
Technical data

Rated current	16 A
Rated voltage	380 Vac
Dielectric strength coil/cont.	>2500 V _{rms}
Ambient temperature	-40...+50 °C
Terminal torque	0.8 Nm
max.	1.2 Nm
Packaging unit	100 pcs.

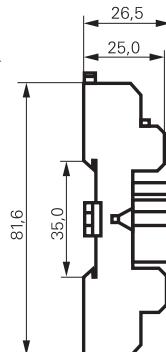
RM 78 705 Socket with screw-type terminals



F0114-A



S0318-A



Technical data

Rated current	16 A
Rated voltage	250 Vac
Dielectric strength coil/cont.	>2500 V _{rms}
Ambient temperature	-40...+40 °C
Terminal torque	0.8 Nm
max.	1.2 Nm
Packaging unit	100 pcs.

Edition: 02/2003

Socket with screw-type terminals

Type		Part Number
RM 78 704	Socket with screw-type terminals	2-1393844-4
RM 78 705	Socket with screw-type terminals	2-1393844-5

Accessories Power Relay RM

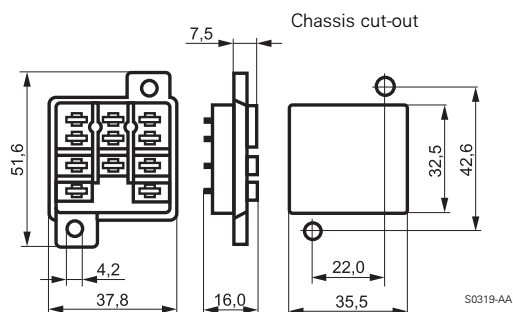
2 / 3 pole, 10 / 16 A

Dimensions in mm
View on solder pins

RM 78 700 Socket with Faston terminals



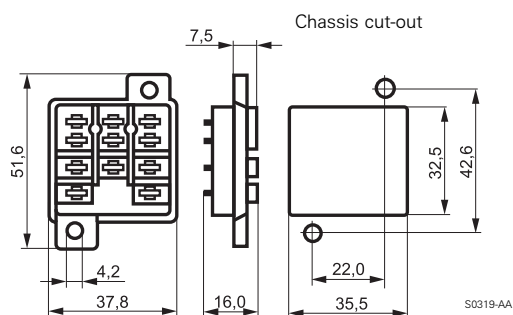
F0110-A



RM 78 701 Socket with solder terminals



F0111-A

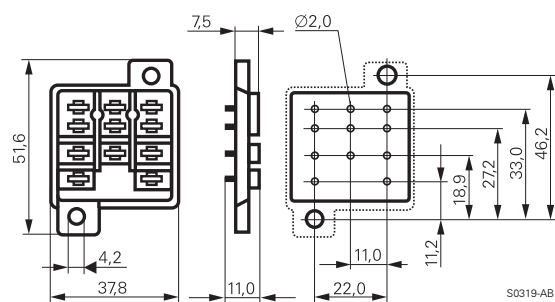


RM 78 702 Socket with PCB terminals

 300 Vac / 10 A



F0112-A



Sockets

Type		Part Number
RM 78 700	Socket with Faston terminals	0-1419118-6
RM 78 701	Socket with solder terminals	4-1393149-9
RM 78 702	Socket with PCB terminals	2-1393844-3

Accessories for RM 78 700, RM 78 701, RM 78 702

Type		Part Number
RM 28 802	Metal retaining clip RM	0-1419118-5